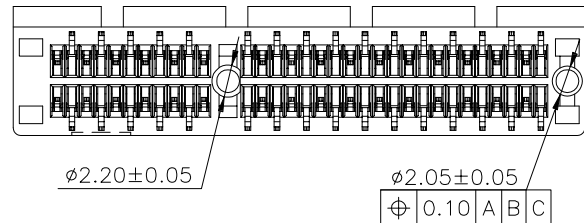
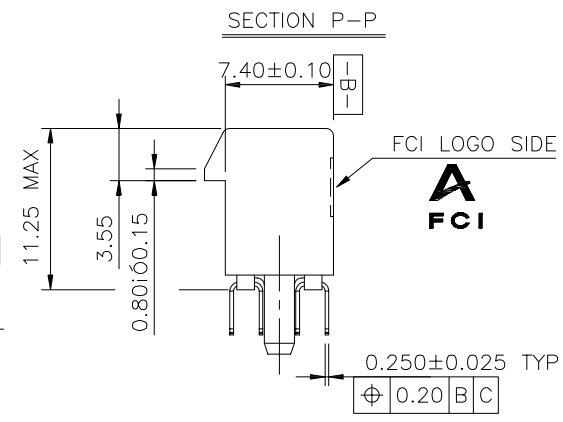
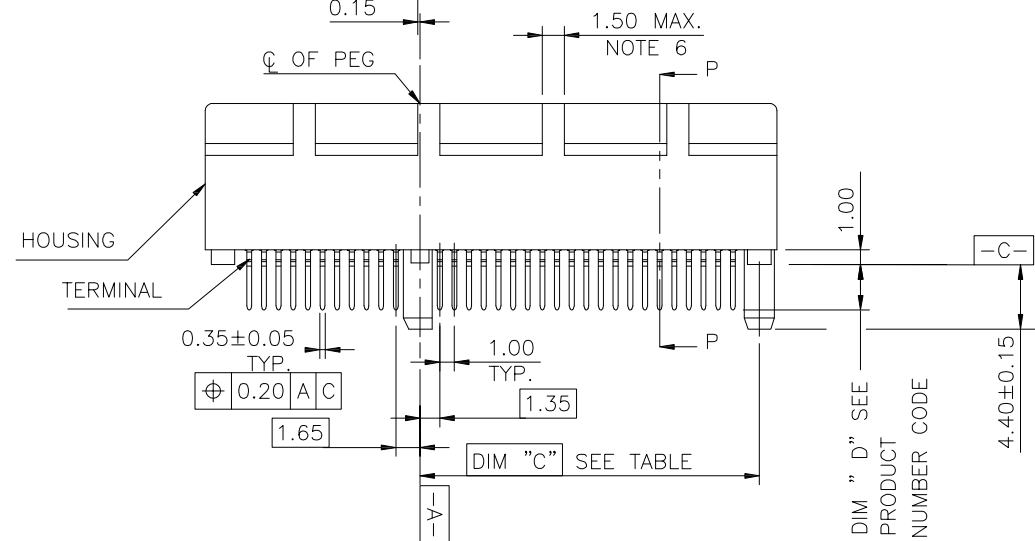
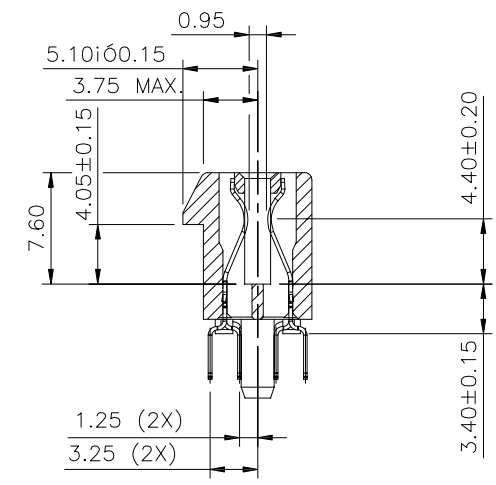
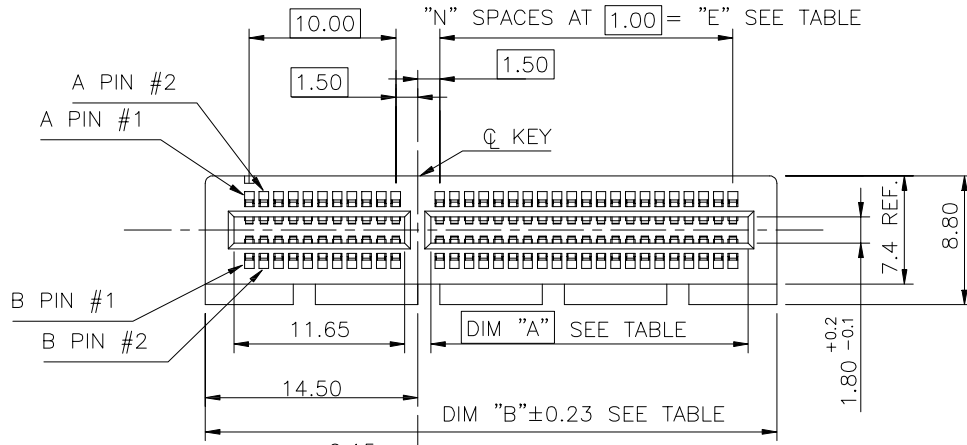


PRODUCT NO.
10018784-X0XXXX



CONFIDENTIAL


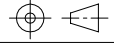
| | | | | | | | | | | |
|-------------|----------------|-----|----------|---------------------------------------|-------------|----------|------------------------------------|---------------------------|----------|--------|
| mat'l. code | | | | tolerances unless otherwise specified | | | CUSTOMER COPY | FCI www.fciconnect.com | | |
| ltr | ecn no | dr | date | linear | .X ± 0.30 | | | projection | title | |
| M | T05-0124 | M W | 06/07/05 | | .XX ± 0.20 | | PCI EXPRESS GEN3 CARD EDGE ASSY | | | |
| N | T05-0153 | M W | 07/12/05 | angles | .XXX ± 0.10 | | MM | product family | | |
| P | T05-0208 | M W | 09/15/05 | | 0° ±2° | | | EDGE CARD | | |
| R | T06-0206 | R C | 12/01/06 | dr | STONE LI | 05/27/15 | scale | size | | code |
| S | ELX-DG-2161-1 | S T | 05/27/15 | enrg | STONE LI | 05/27/15 | | 2:1 | dwg no | |
| | | | | chr | / | / | A4 | | 10018784 | sheet |
| | | | | appd | PM ZHENG | 05/27/15 | | | | 1 of 6 |
| sheet index | revision sheet | S 1 | S 2 | S 3 | S 4 | S 5 | S 6 | cage code | | |
| | | | | | | | | 22526 | | |

PRODUCT NO.
10018784-X1XXXX



METAL BOARD LOCKS TYPE

CONFIDENTIAL

| | | | | | | | | | |
|-------------|----------------|----|------|---------------------------------------|-------------|---|---------------------------------|---|-------|
| mat'l. code | | | | tolerances unless otherwise specified | | CUSTOMER COPY | |  www.fciconnect.com | |
| ltr | ecn no | dr | date | linear | .X ± 0.30 | projection | title | | |
| | | | | angles | .XX ± 0.20 |  | PCI EXPRESS GEN3 CARD EDGE ASSY | | |
| | | | | dr | .XXX ± 0.10 | MM | product family | EDGE CARD | code |
| | | | | enr | 0° ±2° | ← | size | dwg no | TWN |
| | | | | chr | | → | A4 | 10018784 | sheet |
| | | | | appd | | scale | | | 2 of |
| sheet index | revision sheet | | | | | | | | |
| | | | | | | | | | |


cage code
22526



← I/O PANEL DIRECTION

RECOMMENDED FOOTPRINT

CONFIDENTIAL

| | | | | | | | | | | | | | |
|-------------|----------------|----|------|---------------------------------------|----------|---|---------------|---|----------------|--|-----------|--------|-----|
| mat'l. code | | | | tolerances unless otherwise specified | | | CUSTOMER COPY |  www.fciconnect.com | | | | | |
| ltr | ecn no | dr | date | linear | .X ± | projection | | | | | | | |
| | | | | | .XX ± |  | | title | |  PCI EXPRESS GEN3 CARD EDGE ASS'Y | | | |
| | | | | angles | .XXX ± | | | MM | product family | | EDGE CARD | code | |
| | | | | dr | STONE LI | 05/27/15 | scale 2:1 | A4 | 10018784 | sheet 3 of | | | |
| | | | | enr | STONE LI | 05/27/15 | | | | | size | dwg no | TWN |
| | | | | chr | / | / | | | | | | | |
| | | | | appd | PM ZHENG | 05/27/15 | | | | | | | |
| sheet index | revision sheet | | | | | | | | | | | | |

cage code
22526



SCALE 2:1

I/O PANEL DIRECTION
PRIMARY (COMPONENT) SIDE



I/O PANEL DIRECTION
SECONDARY (SOLDER) SIDE

ADD-IN CARD EDGE-FINGER DIMENSIONS

| # | POS | REF. | N | DIM "G" | "F" |
|-----|-----|------|-------|---------|-----|
| 36 | 6 | | 8.15 | B17 | |
| 64 | 20 | | 22.15 | B31 | |
| 98 | 37 | | 39.15 | B48 | |
| 164 | 70 | | 72.15 | B81 | |

PIN "F" SEE TABLE 2.40±0.10
NOTE 4

CONFIDENTIAL

| | | | | | | | | |
|-------------|--------|----------------|------|---------------------------------------|--------|---------------|--|------------|
| mat'l. code | | | | tolerances unless otherwise specified | | CUSTOMER COPY | www.fciconnect.com | |
| ltr | ecn no | dr | date | linear | .X ± | | | |
| | | | | | .XX ± | projection | title PCI EXPRESS GEN3 CARD EDGE ASS'Y | |
| | | | | angles | .XXX ± | | | |
| | | | | dr | 0° ±2° | MM | product family | |
| | | | | enr | | | EDGE CARD | code |
| | | | | chr | | scale | size | |
| | | | | appd | | | 2:1 | dwg no |
| sheet index | | revision sheet | | PM ZHENG 05/27/15 | | A4 | 10018784 | |
| | | | | | | | | sheet 4 of |

cage code
22526

NOTES:

1.MATERIAL:

HOUSING: NYLON, GLASS FILLED UL94V-0 RATE, SUITABLE FOR WAVE SOLDERING.

TERMINAL: COPPER ALLOY

PLATING: 50u" NICKEL UNDERPLATE ALL OVER CONTACT AREA PLATING - SEE PRODUCT NUMBER CODE SOLDER TAIL: TIN/LEAD (90/10) - SEE PRODUCT NUMBER CODE 100u" MIN. OVER 50u" NICKEL

METAL BOARD LOCKS: COPPER ALLOY FINISH: 100u" TIN/LEAD (90/10) OVER 50u" NICKEL UNDERPLATE SEE PRODUCT NUMBER CODE

2.PRODUCT SPECIFICATION: GS-12-233

③THE HORIZONTAL AXIS FOR THE HOLE PATTERN IS ESTABLISHED BY A LINE THROUGH THE CENTER OF THE TWO Ø2.35 HOLES. THE VERTICAL AXIS IS 90° TO THE HORIZONTAL AXIS, THROUGH THE CENTER OF DATUM Z.

④NO TIE BAR PERMITTED FROM CARD EDGE TO LEADING EDGE OF PAD FOR PINS A1 AND PIN NUMBERS "F".

⑤CHAMFER EDGES MUST BE FREE OF CUTTING BURRS.

⑥FREQUENCY & LOCATION AT SUPPLIER DISCRETION. RIDGE MAY BE CONTINUOUS WITH NO BREAKS.

7.RoHS COMPATIBLE PRODUCT SPECIFICATIONS

a - PLATING:

- "LF" MEANS THE PRODUCT IS LEAD-FREE, 2um MINIMUM MATTE TIN OVER 1.27um MINIMUM NICKEL UNDERPLATE.

b - MANUFACTURING PROCESS COMPATIBILITY

- THE HOUSING WILL WITHSTAND EXPOSURE TO 260°C±5°C SOLDER BATH TEMPERATURE FOR 5 SECONDS IN A WAVE SOLDER APPLICATION WITH A 1.6mm MIN THICK CIRCUIT BOARD.

- THE HOUSING WILL WITHSTAND EXPOSURE TO 240°C±5°C SOLDER BATH TEMPERATURE FOR 5 SECONDS IN A WAVE SOLDER APPLICATION WITH A 1.6mm MIN THICK CIRCUIT BOARD.(For 10018784-X 0 X X X X(X X) options)

| CONNECTOR | # POS REF. | N | DIM "A" | DIM "B" | DIM "C" | "E" |
|-----------|------------|----|---------|---------|---------|-------|
| 1 PORT | 36 | 6 | 7.65 | 25.00 | 9.15 | 6.00 |
| 4 PORT | 64 | 20 | 21.65 | 39.00 | 23.15 | 20.00 |
| 8 PORT | 98 | 37 | 38.65 | 56.00 | 40.15 | 37.00 |
| 16 PORT | 164 | 70 | 71.65 | 89.00 | 73.15 | 70.00 |

PRODUCT NUMBER CODE
10018784-X X X X X X □ □

HOUSING COLOR OPTIONS

- 0-WHITE
- 1-BLACK

PEGS OPTIONS

- 0-PLASTIC PEGS
- 1-METAL BOARD LOCKS

TERMINAL PLATING OPTIONS

- 0-50u" Ni UNDERPLATE
30u" Au CONTACT AREA
100u" TIN TAIL AREA ----- COMPATIBLE RoHS
- 1-50u" Ni UNDERPLATE
15u" Au CONTACT AREA
100u" TIN TAIL AREA ----- COMPATIBLE RoHS
- 2-50u" Ni UNDERPLATE
GOLD FLASH CONTACT AREA
100u" TIN TAIL AREA ----- COMPATIBLE RoHS
- 3-50u" Ni UNDERPLATE
30u" Au CONTACT AREA
100u" TIN/LEAD TAIL AREA ----- INCOMPLIANT RoHS
- 4-50u" Ni UNDERPLATE
15u" Au CONTACT AREA
100u" TIN/LEAD TAIL AREA ----- INCOMPLIANT RoHS
- 5-50u" Ni UNDERPLATE
GOLD FLASH CONTACT AREA
100u" TIN/LEAD TAIL AREA ----- INCOMPLIANT RoHS

LEAD FREE OPTION

LEAVE BLANK FOR TERMINAL PLATING 3,4,5 "LF" FOR TERMINAL PLATING OPTION 0,1,2

POS OPTIONS

- 0-36
- 1-64
- 2-98
- 3-164

PACKAGING OPTIONS

T-TRAY PACKAGING
M-TRAY PACKAGING & MYLAR TAPE FOR PICK-N-PLACE. SEE FIGURE 1

TAIL LENGTH OPTIONS

| | DIM "D" | PCB THICKNESS | BOARD LOCKS DIM"G" |
|---|--|---------------|--------------------|
| 0 | 2.30 ^{+0.25} / _{-0.13} | 1.56±0.10 | 1.70±0.15 |
| 1 | 3.10 ^{+0.25} / _{-0.13} | 2.36±0.10 | 2.50±0.15 |

CONFIDENTIAL

| | | | | | | | | | | | |
|-------------|----------------|----|------|---------------------------------------|----------|----------|---------------|---|--|-------|------|
| mat'l. code | | | | tolerances unless otherwise specified | | | CUSTOMER COPY | |  www.fciconnect.com | | |
| ltr | ecn no | dr | date | linear | .X ± | | | projection | title | | |
| | | | | | .XX ± | | | | PCI EXPRESS GEN3 CARD EDGE ASS'Y  | | |
| | | | | | .XXX ± | | | | | | |
| | | | | angles | 0° ±2° | | |  MM | product family | | code |
| | | | | dr | STONE LI | 05/27/15 | EDGE CARD | | TWN | | |
| | | | | enr | STONE LI | 05/27/15 | size | | dwg no | sheet | |
| | | | | chr | / | / | 10018784 | | 5 of | | |
| | | | | appd | PM ZHENG | 05/27/15 | scale | A4 | | | |
| sheet index | revision sheet | | | | | | | | | | |

cage code
22526



FIGURE 1

CONFIDENTIAL

| | | | | | | | | | | | | | |
|-------------|--------|----------------|------|---------------------------------------|-------------|----------|---|---|-------|-----------|------------|--|-------|
| mat'l. code | | | | tolerances unless otherwise specified | | | CUSTOMER COPY |  www.fciconnect.com | | | | | |
| ltr | ecn no | dr | date | linear | .X ± 0.25 | | | | | | projection |  title | |
| | | | | | .XX ± 0.13 | | | | | | | | |
| | | | | | .XXX ± 0.05 | | | | | | | | |
| | | | | angles | 0° ± 2° | |  MM | product family | | EDGE CARD | code | | |
| | | | | dr | STONE LI | 05/27/15 | | scale | size | | dwg no | TWN | |
| | | | | enr | STONE LI | 05/27/15 | | | 1.5:1 | A4 | | 10018784 | sheet |
| | | | | chr | / | / | | | | | | 6 of | |
| | | | | appd | PM ZHENG | 05/27/15 | | | | | | | |
| sheet index | | revision sheet | | | | | | | | | | | |

cage code 22526