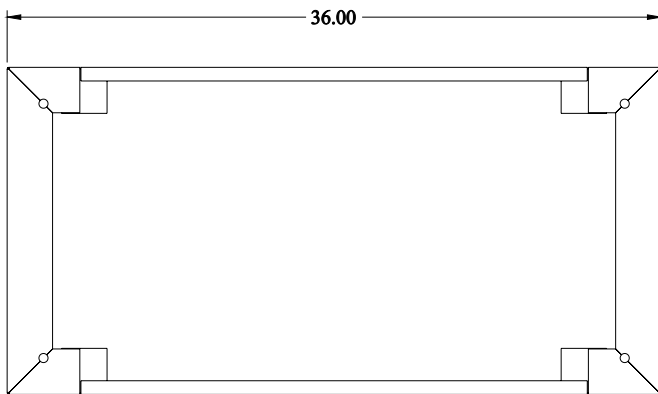


PART No. 2CRP83618

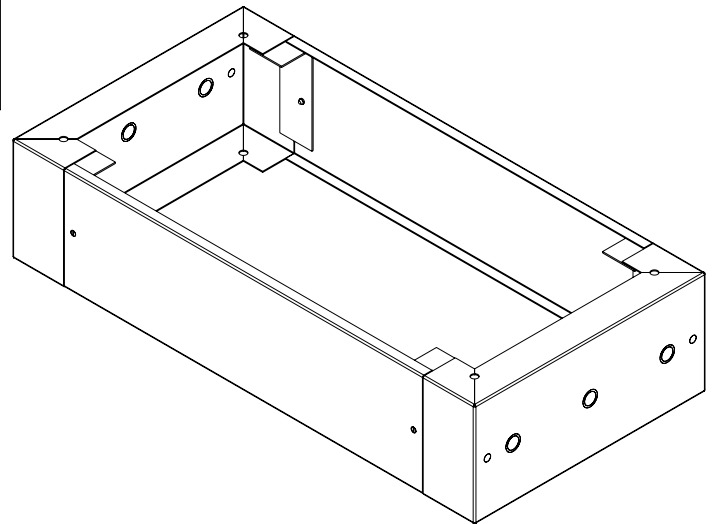
for more information visit
www.hammfg.com

Data subject to change without notice

Isometric drawing Not to Scale



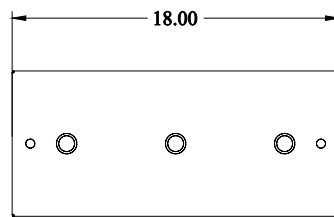
TOP VIEW



ISOMETRIC VIEW



FRONT VIEW



RIGHT SIDE VIEW