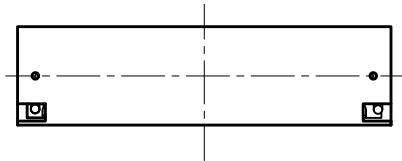
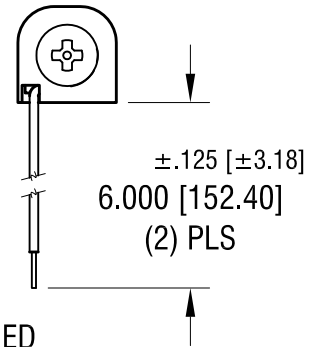
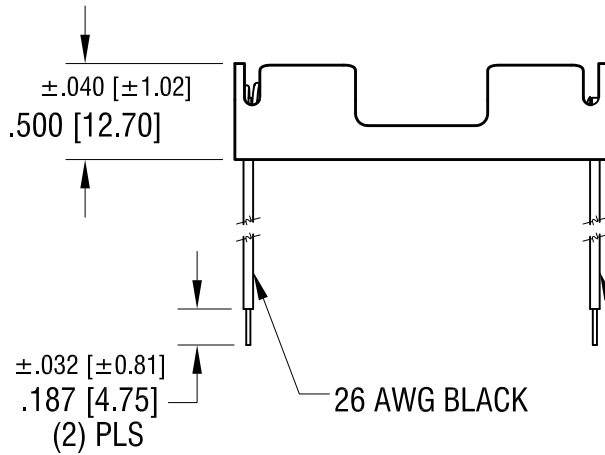
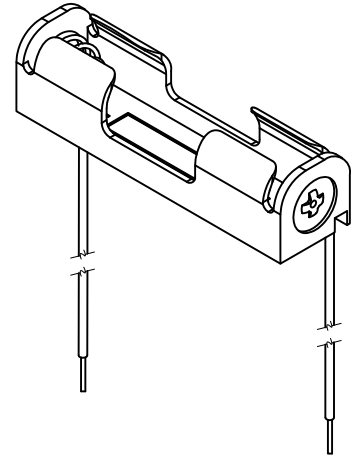
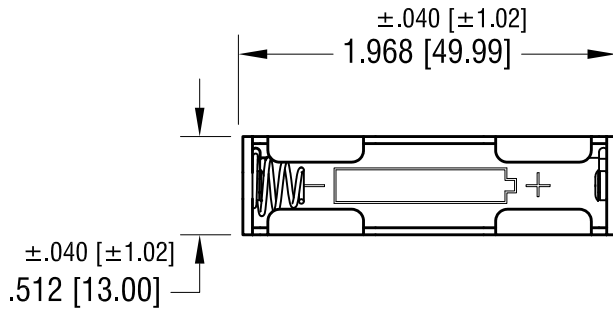


THIS DOCUMENT IS THE PROPERTY OF
KEYSTONE ELECTRONICS CORP. AND
SHALL NOT BE REPRODUCED, DISTRIBUTED
OR USED AS A BASIS FOR MANUFACTURE
WITHOUT PRIOR WRITTEN PERMISSION
FROM KEYSTONE ELECTRONICS CORP.



NOTE:

- 1. HOLDER: MAT'L: POLYPROPYLENE
- SPRING: MAT'L: MUSIC WIRE, .024 [0.60] DIA.
- FINISH: NICKEL PLATE

7.08.10	CHANGE AS PER ECN 10-081	B
11.17.99	CHANHE AS PER ECN 99-092	A
DATE	DESCRIPTION	REV.

KEYSTONE ELECTRONICS CORP.			
www.keyelco.com • ASTORIA, N.Y. 11105-2017 • Tel (718) 956-8900			
PART NAME		BATTERY HOLDER (1) 'AAA'	
MATERIAL		AS NOTED	
FINISH		AS NOTED	
DRN BY		BOONE	DATE 11.02.95
APP'D		LN	SCALE 1X
TOLERANCES	INCH [MM]	CODE	DWG NO.
DECIMAL	$\pm .015 [\pm 0.38]$	C/M	2467
ANGULAR	$\pm 1^\circ$		
UNLESS OTHERWISE SPECIFIED			