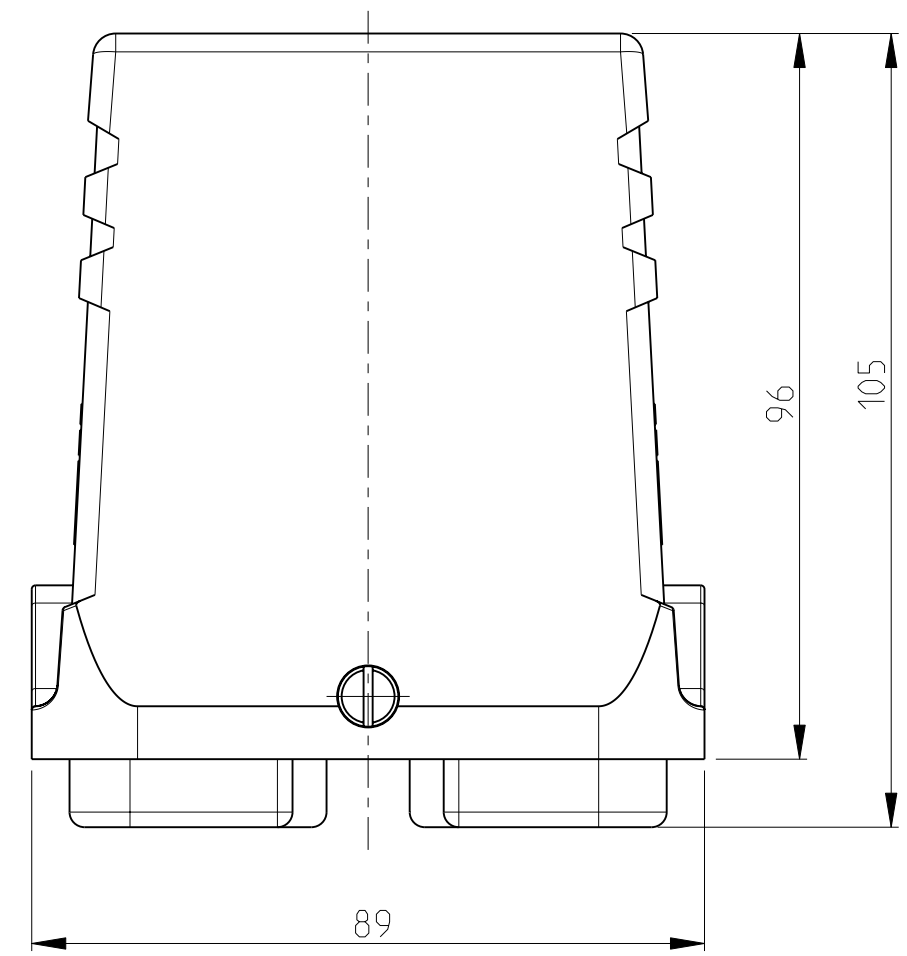
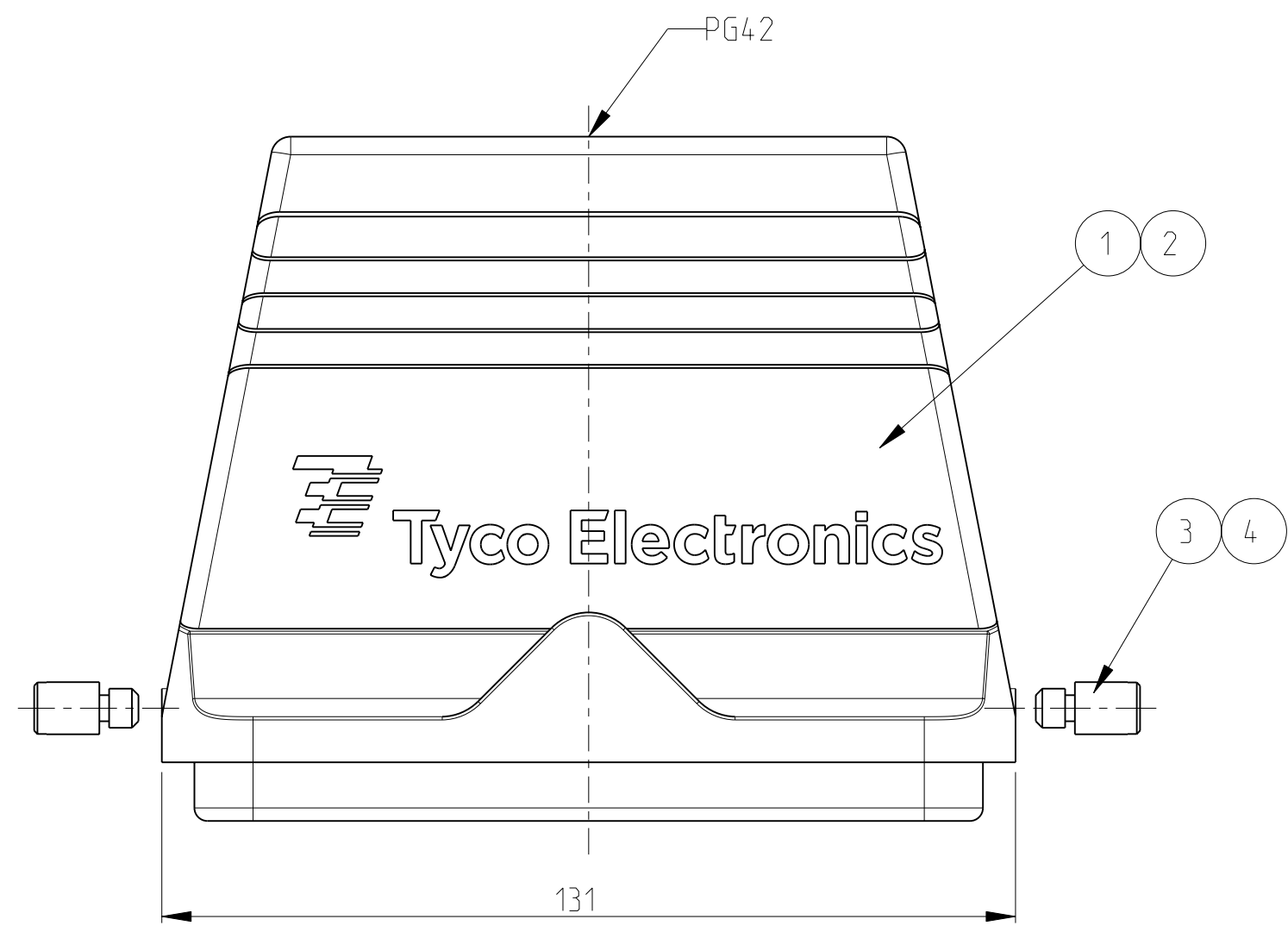


THIS DRAWING IS UNPUBLISHED. RELEASED FOR PUBLICATION 2006
 © COPYRIGHT 2006 BY TYCO ELECTRONICS CORPORATION. ALL RIGHTS RESERVED.

LOC	DIST	REVISIONS				
P	LTR	DESCRIPTION	DATE	DWN	APVD	
A1	-	A2	NEW PRO/E DRAWING ECR-08-031218	11NOV2008	SR	ST



NOTES

- 1 PART SHALL BE FREE AND CLEAN OF BURRS AND OTHER FOREIGN MATERIAL
- 2 PACKAGING: QUANTITY 3 PIECES
- 3 VARNISHING INSIDE HOUSING NOT REQUIRED

2-7	1-7	DESCRIPTION	MATERIAL	SURFACE	COLOR	ITEM	NOTES
		CLP BOLT	V2A	BLANK		4	
		CLIP BOLT	STAINLESS STEEL	ZINK PLATED	BLUE	3	
		HOOD HB-K	ALU	ALUMINIUM OXID	BLACK	2	
		HOOD HB	ALU		GREY	1	
HB.48.STO-GR.1.42.G							
HB-K.48.STO-GR.1.42.G							

<small>THIS DRAWING IS A CONTROLLED DOCUMENT FOR TYCO ELECTRONICS CORPORATION IT IS SUBJECT TO CHANGE AND THE CONTROLLING ENGINEERING ORGANIZATION SHOULD BE CONTACTED FOR THE LATEST REVISION.</small>		DWN R.SCHNEIDER 11NOV2008 CHK T.SCHNURPFIL 11NOV2008 APVD -	Tyco Electronics tyco Electronics AMP GmbH 53757 Sankt Augustin (Germany)
DIMENSIONS: mm 	TOLERANCES UNLESS OTHERWISE SPECIFIED: 0 PLC ±- 1 PLC ±- 2 PLC ±- 3 PLC ±- 4 PLC ±- ANGLES ±1°	PRODUCT SPEC - APPLICATION SPEC - WEIGHT -	NAME HOOD HB.48 ASSY HB.48.STO-GR.1.42.G SIZE A3 CAGE CODE 00779 DRAWING NO C=1102388 RESTRICTED TO -
MATERIAL -	FINISH -	CUSTOMER DRAWING SCALE 1:1 SHEET 1 OF 1 REV A2	