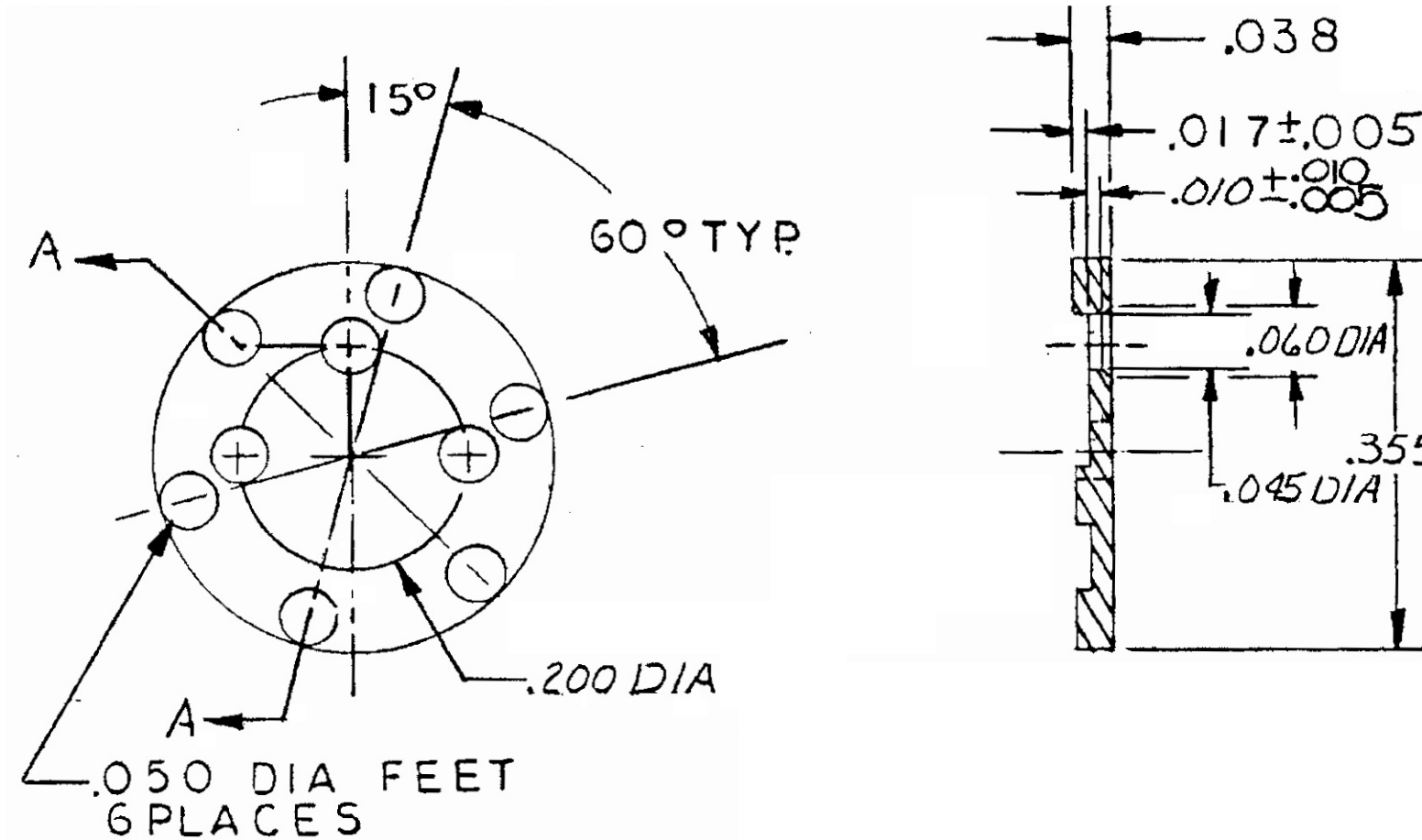


THIS DRAWING AND THE SPECIFICATIONS CONTAINED HEREIN ARE CONFIDENTIAL AND PROPRIETARY. THEY ARE THE PROPERTY OF AVID THERMAL TECHNOLOGIES INC. AND SHALL NOT BE REPRODUCED OR COPIED OR USED IN WHOLE OR IN PART AS THE BASIS FOR THE MANUFACTURE OR SALE OF ITEMS WITHOUT WRITTEN PERMISSION. THIS IS AN UNPUBLISHED WORK PROTECTED UNDER THE FEDERAL COPYRIGHT LAWS. 1995



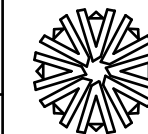
ROHS COMPLIANT
PER AVID SPEC: ROHS - 9000

NOTES:

1. MATERIAL: DIALLYL PHTHALATE PER MIL-M-14F (BLACK ONLY).

FINISH	N/A
U/O	
MAT'L	SEE NOTE 1
TOLERANCE UNLESS NOTED	\varnothing \square
.XX	= ±.015 [±.38]
.XXX	= ±.010 [±.25]
ANGULAR	± 3°

REV.	DATE	DESCRIPTION	CHK'D
B	3/24/06	CHANGE DESC PER ECN# 018513	MIKEL
A	1/25/01	RELEASE PER ECN# 011664	R DROUIN



AAVID THERMALLOY

80 COMMERCIAL ST.
CONCORD, N.H.
03301

DRAWING NO. **034936**

STANDARD DESCRIPTION
THM,7717-79DAP REV G-G

DATE	DRAWN	ENGR.	APP'D	SCALE
6/23/69	B GIBSON			NTS
SHEET				