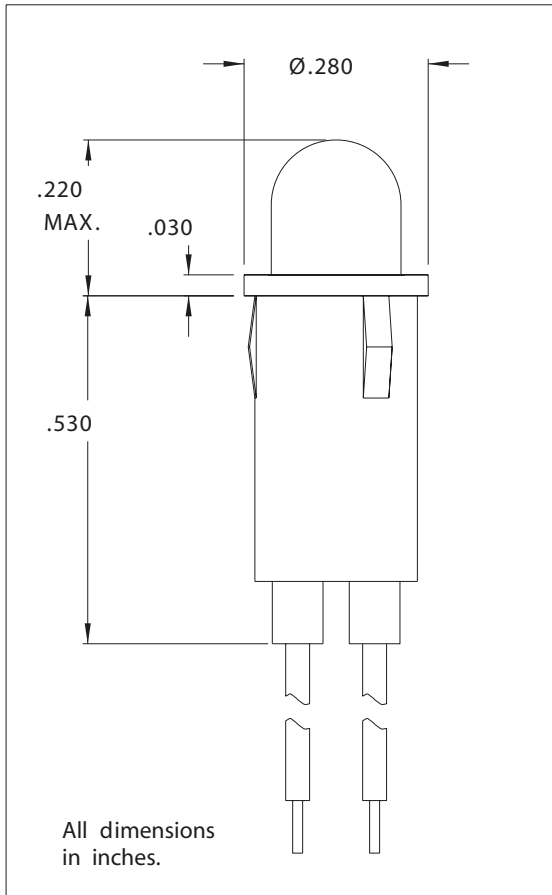


Panel Mounted LED Indicator Light with Wire Leads 1/4" Diameter Mounting Hole

Description and Features



Features

- Super-Brite 30mcd
- Low current
- Built-in resistor chip operates directly off 5 volt or 12 volt supply without external resistor.

Mounting: Will snap-fit into Ø.249/.254 hole in panels .031/.062 thick.

Wire Leads: No. 24 AWG, 6" insulated, bonded strands, stripped 1/2"

Anode(+): Red Lead **Anode (+): White Lead**
Cathode (-): Red Lead

Housing: Black Nylon

Alternate LEDs are also available in this package as standard variations.

P/N 5100A23 is the same as Standard Part Number 5100H5 except with 8" lead length and reversed polarity.

Use Dwg A7626 as a reference

Part Number	Emitted Color	Typical Intensity (mcd)	Rated Current (mA)	Continuous Forward Current Max. (mA)	Forward Voltage		Peak Forward Current @ 1ms-300 PPS (A)	Reverse Breakdown Voltage Min. (V)	Peak Wavelength (nm)
					Typ. (V)	Max. (V)			
5100H1	Red	30	20	35	2.0	3.0	1.0	5	635
5100H3	Amber	20	20	35	2.0	3.0	1.0	5	608
5100H5	Green	30	20	30	2.2	3.0	.09	5	562
5100H6	Blue	3.0	45	50	3.4	3.9	-	5	470
5100H7	Yellow	25	20	35	2.1	3.0	1.0	5	585
5100H1LC	Red	2.0	2	7	1.8	2.2	.007	5	635
5100H5LC	Green	2.5	2	7	1.8	2.2	.007	5	565
5100H7LC	Yellow	2.0	2	7	1.9	2.7	.007	5	585
5102H1-5V	Red	6.0	10	15	5	7.5	-	5	635
5102H3-5V	Amber	7.0	10	15	5	7.5	-	5	583
5102H5-5V	Green	10.0	12	15	5	7.5	-	5	565
5102H1-12V	Red	4.0	13	15	12	20.0	-	5	635
5102H3-12V	Amber	4.0	13	15	12	20.0	-	5	583
5102H5-12V	Green	4.0	13	15	12	20.0	-	5	565

Low Current
Built-In Resistor 5 Volts
Built-In Resistor 12 Volts