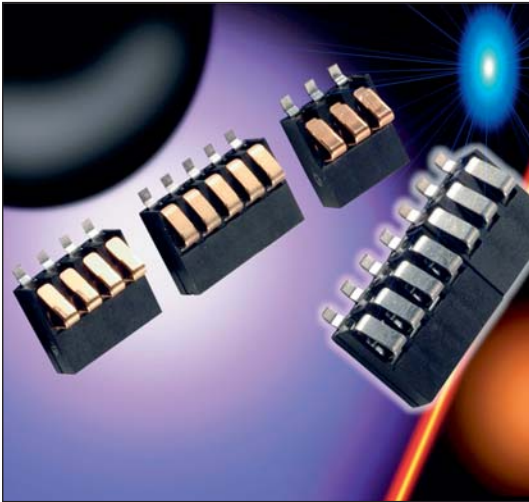


# 9155 Standard Battery



## GENERAL DESCRIPTION

The standard battery connector is specifically designed for mobile equipment. The connectors are available in 3, 4 and 5 contact positions all on a 2.50mm pitch. The insulator height provides a 3mm spacing, with various contact nose heights from 1.20mm to 2.60mm, to provide spacing options to the end user.

All contacts are stamped and are rated to 3A, with Gold plating. Parts are supplied in tape and reel for automatic pick and place. Optional retaining brackets are available to provide greater strength when connected to the PCB.

Whatever your requirements, the 9155 series Battery Connector can also be customized to suit your applications.

## APPLICATIONS

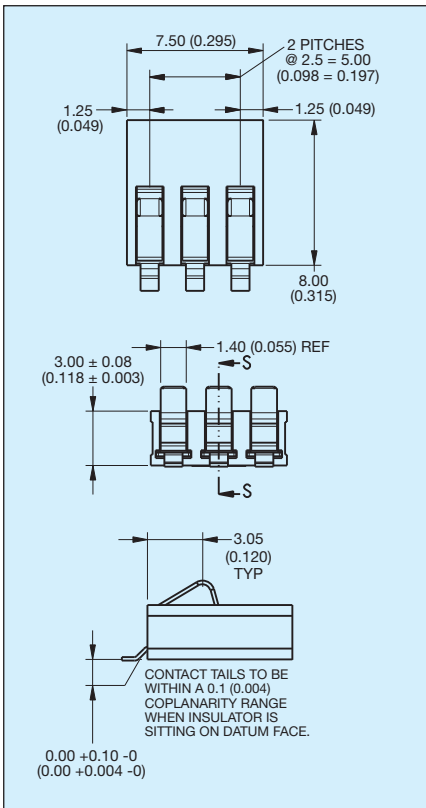
- Mobile Phones
- PDA
- Medical
- PMR
- Industrial

## KEY FEATURES AND BENEFITS

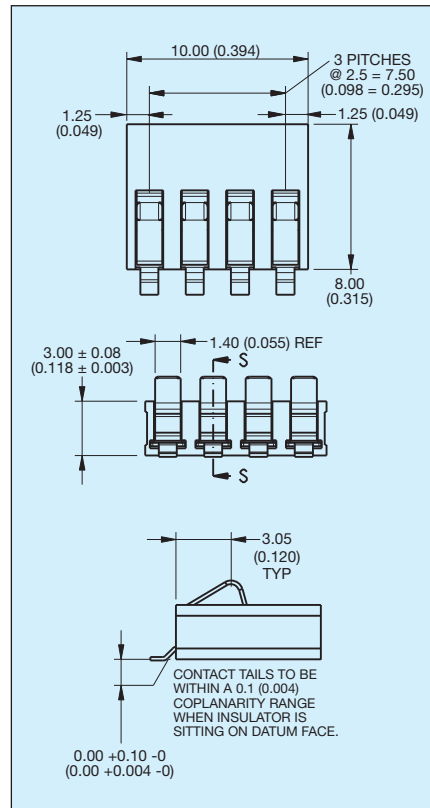
- Suitable for 5000 mechanical cycles.
- Variety of contact heights offered to suit different mechanical designs.
- Connectors can be end to end stackable.
- RoHS Compliant available.



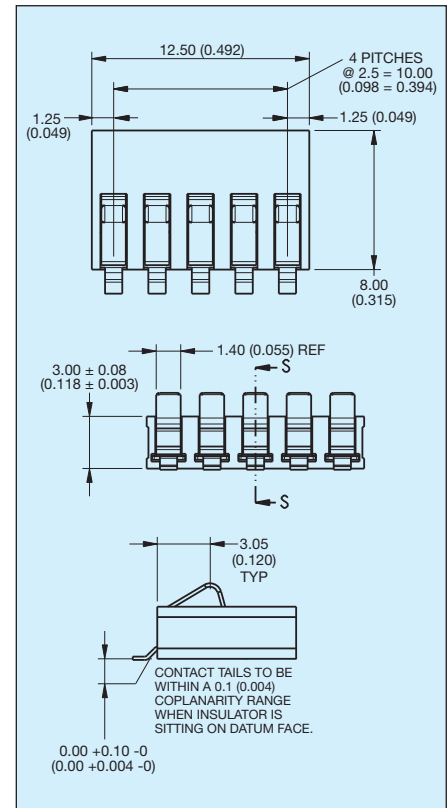
### 3 Way Battery Connector



### 4 Way Battery Connector



### 5 Way Battery Connector



## 3 Way PCB Board Layout



## 4 Way PCB Board Layout



## 5 Way PCB Board Layout



## HOW TO ORDER

<b>00</b>	<b>9155</b>	<b>003</b>	<b>00</b>	<b>1</b>	<b>01</b>	<b>6</b>
<b>Prefix</b>	<b>Series</b>	<b>No of Ways</b>	<b>Standard Battery Connector</b>	<b>Contact Height</b>	<b>Bracket</b>	<b>Plating Option</b>
00 = Standard 58 = Special		3 = 003 4 = 004 5 = 005	00 = Standard Force	1 = 1.20 (0.047) / 1.50 (0.059) 2 = 1.80 (0.071) / 2.10 (0.083) 3 = 2.30 (0.091) / 2.60 (0.102)	01 = With Bracket	6 = 0.4µm Selective Gold, Pure Tin Tail 8 = 0.8µm Selective Gold, Pure Tin Tail