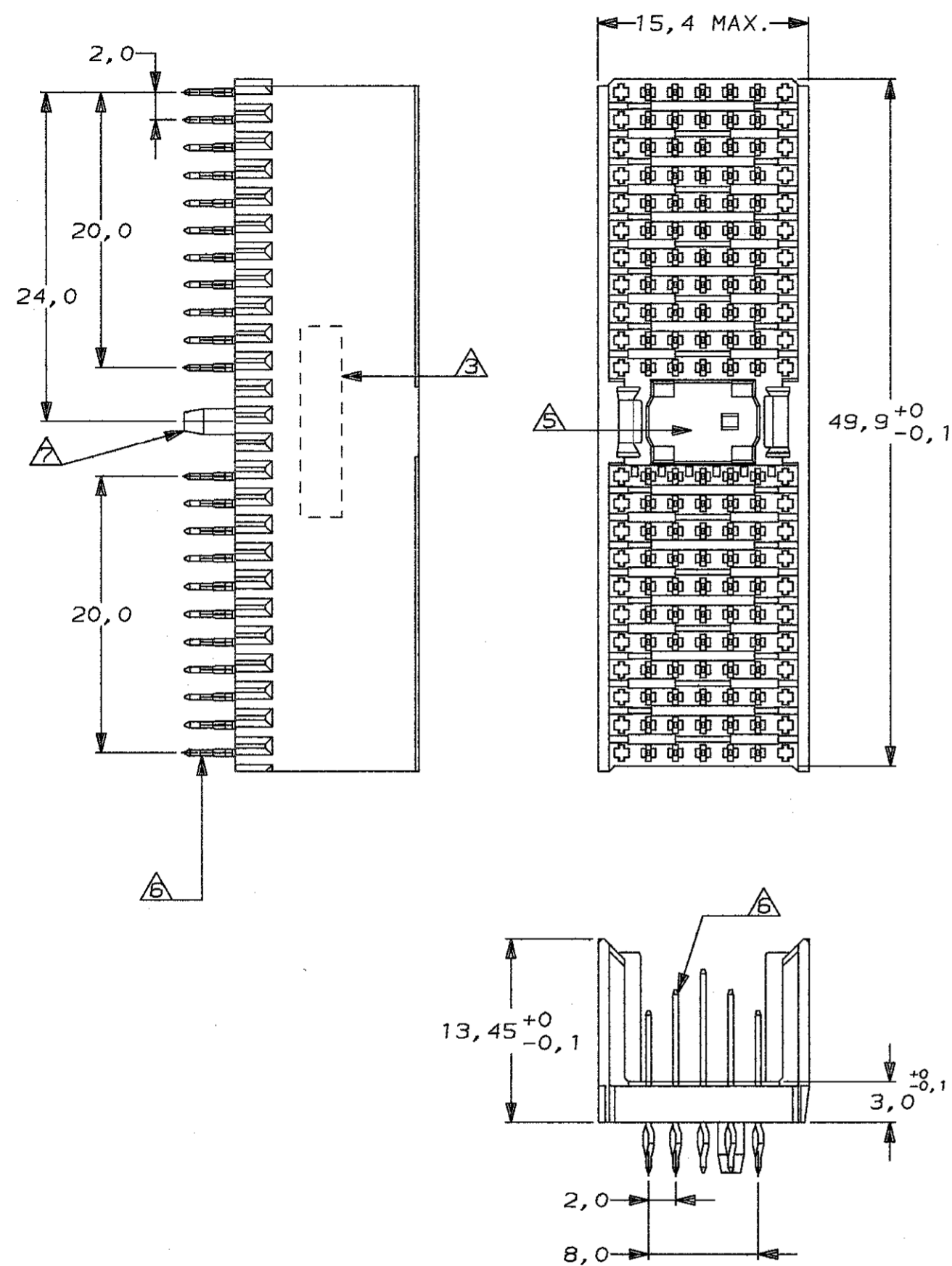
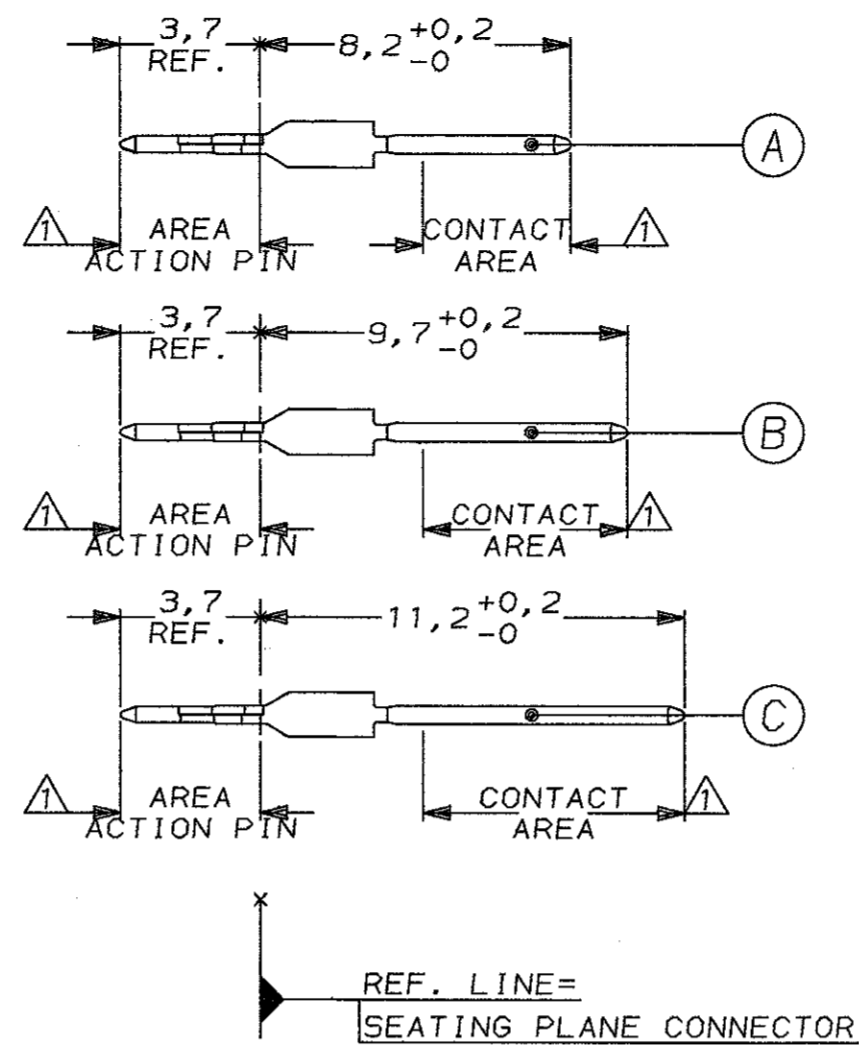


CONNECTOR ASSEMBLY

EXEMPLARY LOADED



CONTACT DIMENSIONS



DO NOT SCALE
DIMENSIONS IN mm

METRIC

THIRD ANGLE
PROJECTION

CONTACT LAYOUT

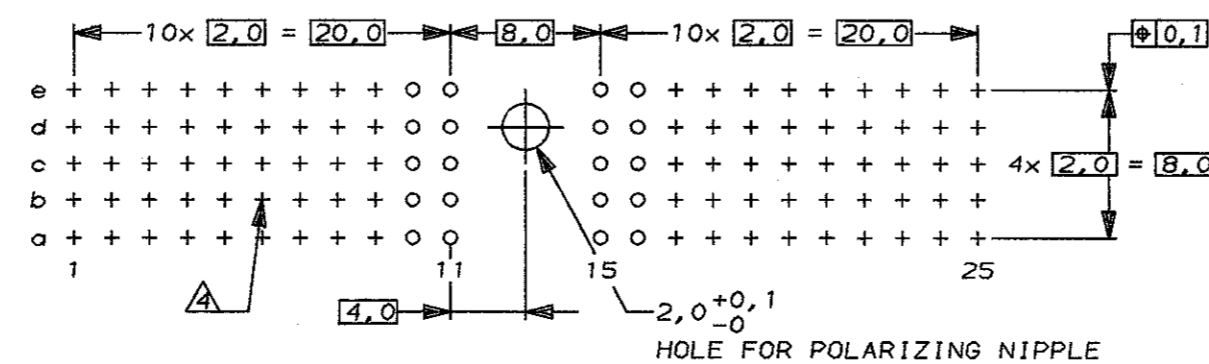
	z	a	b	c	d	e	f
1	B	B	A	B	B		
2	B	B	C	B	B		
3	B	B	B	B	B		
4	B	B	B	B	B		
5	B	B	B	B	B		
6	B	B	B	B	B		
7	B	B	B	B	B		
8	B	B	B	B	B		
9	B	B	B	B	B		
10	B	B	B	B	B		
11	B	B	B	B	B		
MULTI PURPOSE CENTRE							
15	B	B	C	B	B		
16	B	B	B	B	B		
17	B	B	B	B	B		
18	B	B	B	B	B		
19	B	B	B	B	B		
20	B	B	B	B	B		
21	B	B	B	B	B		
22	B	B	B	B	B		
23	B	B	B	B	B		
24	B	B	B	B	B		
25	B	B	B	B	B		

THIS DRAWING IS
PRELIMINARY

NOTES:

- ⚠️ PLATING
CONTACT AREA: 0,8µm Au MIN. OVER 1,3µm Ni MIN.
ACTION PIN : 0,5µm SnPb MIN. OVER 1,3µm Ni MIN.
- ⚠️ MATERIAL CONTACT: PHOSPHORBRONZE.
MATERIAL HOUSING: GLASSFILLED POLYESTER.
- ⚠️ CONNECTOR PRINTED WITH PARTNUMBER AND DATECODE.
- ⚠️ PLATED-THROUGH HOLES AT 2x2mm SQUARE GRID.
TOTAL 110 HOLES .
- ⚠️ AREA RESERVED FOR KEYING PART (BASIC P.N. 100525).
- ⚠️ FOR ACTUAL PIN LOADING SEE "CONTACT LAYOUT"
- ⚠️ POLARIZING NIPPLE

RECOMMENDED PCB-HOLE LAY-OUT
COMPONENT SIDE SHOWN



P.C.B. HOLE DIM. ACTION PIN
 DRILLED HOLE: 0,7±0,025mm
 FIN. HOLE : 0,55 TO 0,65mm
 Cu-thks : 0,025 TO 0,050mm
 SnPb-thks : 0,004 TO 0,010mm

		FINISH	MATERIAL	PARTNUMBER
				106996-1
		CUSTOMER DRAWING FOR REFERENCE ONLY WILL NOT BE UPDATED		
		© COPYRIGHT 19- BY AMP HOLLAND B.V. ALL INTERNATIONAL RIGHTS RESERVED. AMP PRODUCTS MAY BE COVERED BY U.S. AND FOREIGN AND/OR PATENTS PENDING.		
		THIS DRAWING IS UNPUBLISHED RELEASED FOR PUBLICATION		
		AMP AMP HOLLAND B.V. 's-Hertogenbosch, The Netherlands.		
		NAME Z-PACK 2mm HM TYPE A		
		110 POS. MALE BACKPANEL		
		CONNECTOR ASSEMBLY		
0	EH-392-94	LvdH	BM	24-JUN-94
LTR.	REVISION RECORD	DR.	CHK.	DATE
DR. : L.V.D.HEIJDEN	CHK. : B.MOOIJ	APP. : V.SOEST	DWG. No. C-106996	
DATE: 24-JUN-94	DATE: 24-JUN-94	DATE: 19-9-94	REV. LTR.	SHEET 0 1 OF 1