

PRODUCT DATA DRAWING

REVISION HISTORY			
REV	DESCRIPTION	DATE	APPROVED
-	DCN 38051	03/11	PJS

MATERIAL:

BODIES, COUPLING NUT: STAINLESS STEEL PER AMS-5640, ALLOY UNS S30300, TYPE 1

LOCK RINGS, CONTACTS: BERYLLIUM COPPER PER ASTM B196, ALLOY No. UNS C17300, TD04

SLEEVE: BRASS PER ASTM B16, ALLOY UNS No. C36000

BELLOWS: ELECTRO-DEPOSITED GOLD OVER NICKEL

INSULATORS: PTFE PER ASTM D1710, TYPE I, GRADE 1, CLASS B

GASKETS: SILICONE RUBBER PER A-A-59588, CLASS 2B, GRADE 50/60

RESISTOR ELEMENTS: ALUMINA SUBSTRATE WITH TANTALUM NITRIDE RESISTOR

FINISH:

BODIES, COUPLING NUT: PASSIVATED PER AMS-2700, TYPE 2

CONTACTS, SLEEVE: GOLD PER ASTM B488, TYPE II, CODE C, CLASS 1.27; OVER NICKEL PER AMS-QQ-N-290, CLASS 1, .00005" MIN.

PERFORMANCE:

IMPEDANCE: 50 OHMS

FREQ. RANGE: DC TO 18.0 GHz

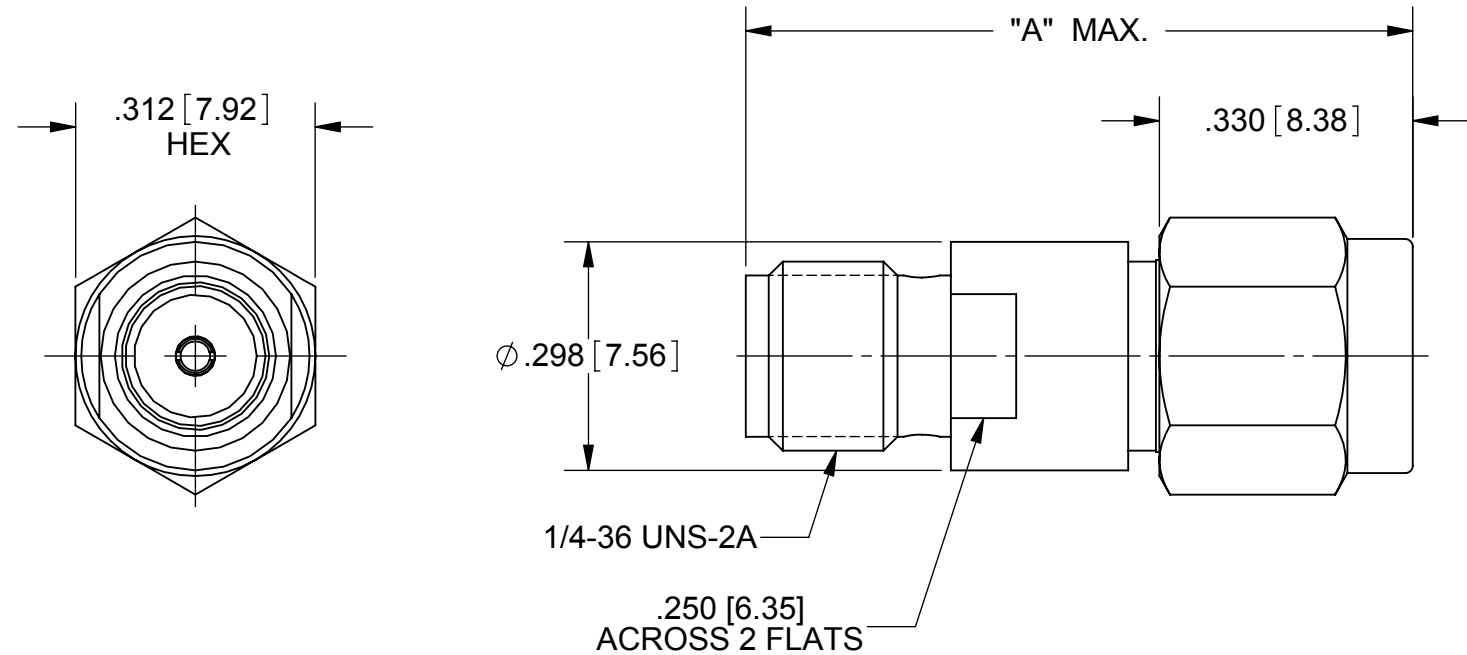
VSWR: SEE TABLE 1

OPERATING TEMP.: -55°C TO +125°C

AVG. POWER: 2 WATT (POWER INPUT DERATED LINEARLY FROM 25°C TO 0.5 WATTS AT 125°C)

PEAK POWER: 500 WATTS (PEAK POWER FOR A DUTY CYCLE OF 5X10⁻⁴ MAXIMUM PULSE DURATION OF 5 MICROSECONDS)

ENGAGEMENT/DISENGAGEMENT: 2 IN-LBS



dB VALUE	ATTENUATION ACCURACY	VSWR					"A" DIM.
		DC-2 GHz	2-4 GHz	4-8 GHz	8-12.4 GHz	12.4-18 GHz	
0 dB	+0 /-0.3 dB	1.10:1	1.15:1	1.20:1	1.25:1	1.35:1	.870
0.5-6.5 dB	±0.3 dB						.870
7-8.5 dB	±0.4 dB						.870
9-14.5 dB	±0.5 dB						.870
15-20 dB	±0.6 dB						.870
21-29 dB	±1.0 dB						1.040
30-39 dB	±1.0 dB						1.040
40 dB	±1.0 dB						1.040
50 dB	±2.0 dB						1.350

MATERIAL: SEE NOTES	DIMENSIONS ARE IN INCHES TOLERANCES: FRACTIONAL: ±1/64 ANGULAR: X° ±1'0" X'X' ±15'	UNLESS OTHERWISE SPECIFIED 1) ALL DIMENSIONS ARE IN INCHES (MILLIMETERS) 2) ALL DIMENSIONS ARE AFTER PLATING. 3) BREAK CORNERS & EDGES .005 R. MAX. 4) CHAM. 1ST & LAST THREADS. 5) SURFACE ROUGHNESS 63-MIL-STD-10. 6) DIA.'S ON COMMON CENTERS TO BE CONCENTRIC WITHIN .005 T.I.R. 7) REMOVE ALL BURRS	SV Microwave, Inc. 2400 Centrepark West Drive, Suite 100 West Palm Beach, FL 33409
FINISH: SEE NOTES	DECIMAL: X ±.030 .XX ±.010 .XXX ±.005	INTERPRET DIMENSIONS AND TOLERANCES PER ASME Y14.5M - 1994	TITLE: SMA PLUG TO JACK MICRO ATTENUATOR DC TO 18 GHz
SURFACE AREA: N/A	THIRD ANGLE PROJECTION	DRAWN: FED 03/07/11	SIZE: B CAGE CODE: 95077 DWG. NO.: SF0929-6200-XXX
PROPRIETARY THE INFORMATION CONTAINED IN THIS DRAWING IS THE SOLE PROPERTY OF SV MICROWAVE, INC. ANY REPRODUCTION IN PART OR AS A WHOLE WITHOUT THE WRITTEN PERMISSION OF SV MICROWAVE, INC IS PROHIBITED.		CHECKED: PJS 03/07/11	SCALE: 4:1
		APPROVED: PJS 03/07/11	SHEET 1 OF 2

PRODUCT DATA DRAWING

REVISION HISTORY			
REV	DESCRIPTION	DATE	APPROVED
-	DCN 38051	03/11	PJS

MAY VARY FROM 1 CHARACTER
TO 3 CHARACTERS

dB VALUE TO "XXX" NUMBER CHART

dB VALUE	"XXX" NUMBER
0	0
0.5	0.5
1	1
1.5	1.5
2	2
2.5	2.5
3	3
3.5	3.5
4	4
4.5	4.5
5	5
5.5	5.5
6	6
6.5	6.5
7	7
7.5	7.5
8	8
8.5	8.5
9	9
9.5	9.5
10	10

dB VALUE	"XXX" NUMBER
10.5	105
11	11
11.5	115
12	12
12.5	125
13	13
13.5	135
14	14
14.5	145
15	15
15.5	155
16	16
16.5	165
17	17
17.5	175
18	18
18.5	185
19	19
19.5	195
20	20
21	21

dB VALUE	"XXX" NUMBER
22	22
23	23
24	24
25	25
26	26
27	27
28	28
29	29
30	30
31	31
32	32
33	33
34	34
35	35
36	36
37	37
38	38
39	39
40	40
50	50

MATERIAL: SEE NOTES	DIMENSIONS ARE IN INCHES TOLERANCES: FRACTIONAL: ±1/64 ANGULAR: X° ±1'0" X*X' ±15'	UNLESS OTHERWISE SPECIFIED 1) ALL DIMENSIONS ARE IN INCHES (MILLIMETERS) 2) ALL DIMENSIONS ARE AFTER PLATING. 3) BREAK CORNERS & EDGES .005 R. MAX. 4) CHAM. 1ST & LAST THREADS. 5) SURFACE ROUGHNESS 63-MIL-STD-10. 6) DIA: 'S ON COMMON CENTERS TO BE CONCENTRIC WITHIN T.I.R. 7) REMOVE ALL BURRS	SV Microwave, Inc. 2400 Centrepark West Drive, Suite 100 West Palm Beach, FL 33409 TITLE: SMA PLUG TO JACK MICRO ATTENUATOR DC TO 18 GHz
FINISH: SEE NOTES	DECIMAL: X ±.030 .XX ±.010 .XXX ±.005		
SURFACE AREA: N/A	INTERPRET DIMENSIONS AND TOLERANCES PER ASME Y14.5M - 1994		
PROPRIETARY THE INFORMATION CONTAINED IN THIS DRAWING IS THE SOLE PROPERTY OF SV MICROWAVE, INC. ANY REPRODUCTION IN PART OR AS A WHOLE WITHOUT THE WRITTEN PERMISSION OF SV MICROWAVE, INC IS PROHIBITED.	THIRD ANGLE PROJECTION	DRAWN: FED 03/07/11 CHECKED: PJS 03/07/11 APPROVED: PJS 03/07/11	SIZE B CAGE CODE 95077 DWG. NO. SF0929-6200-XXX SCALE: 4:1 SHEET 2 OF 2