
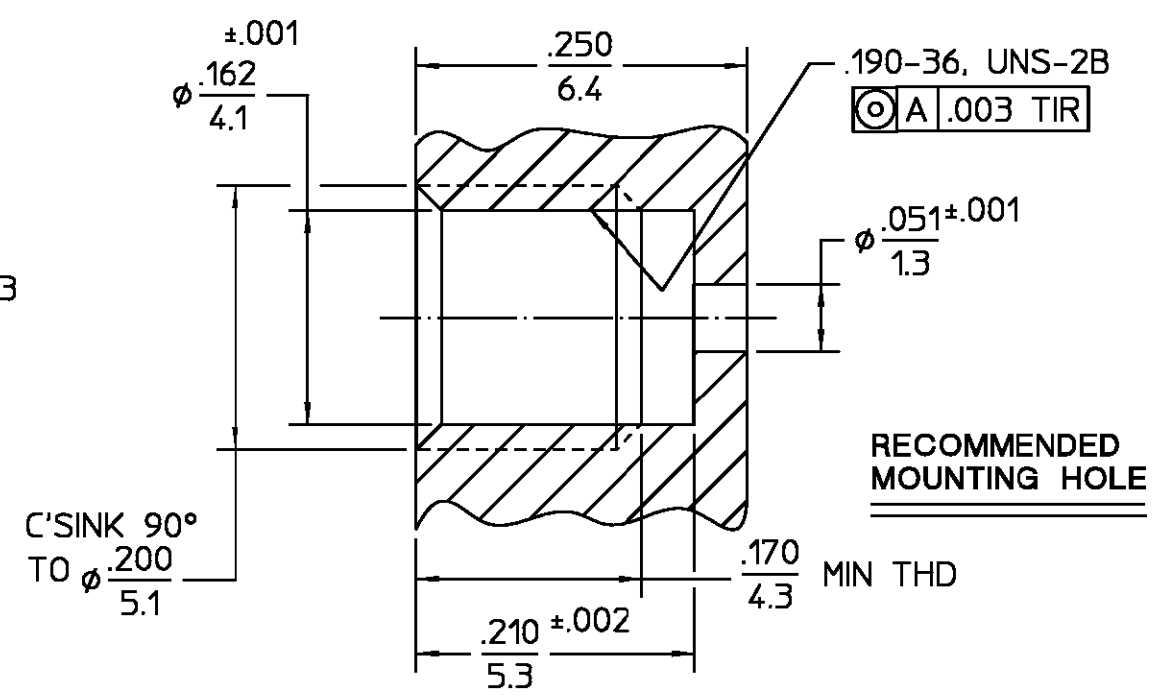
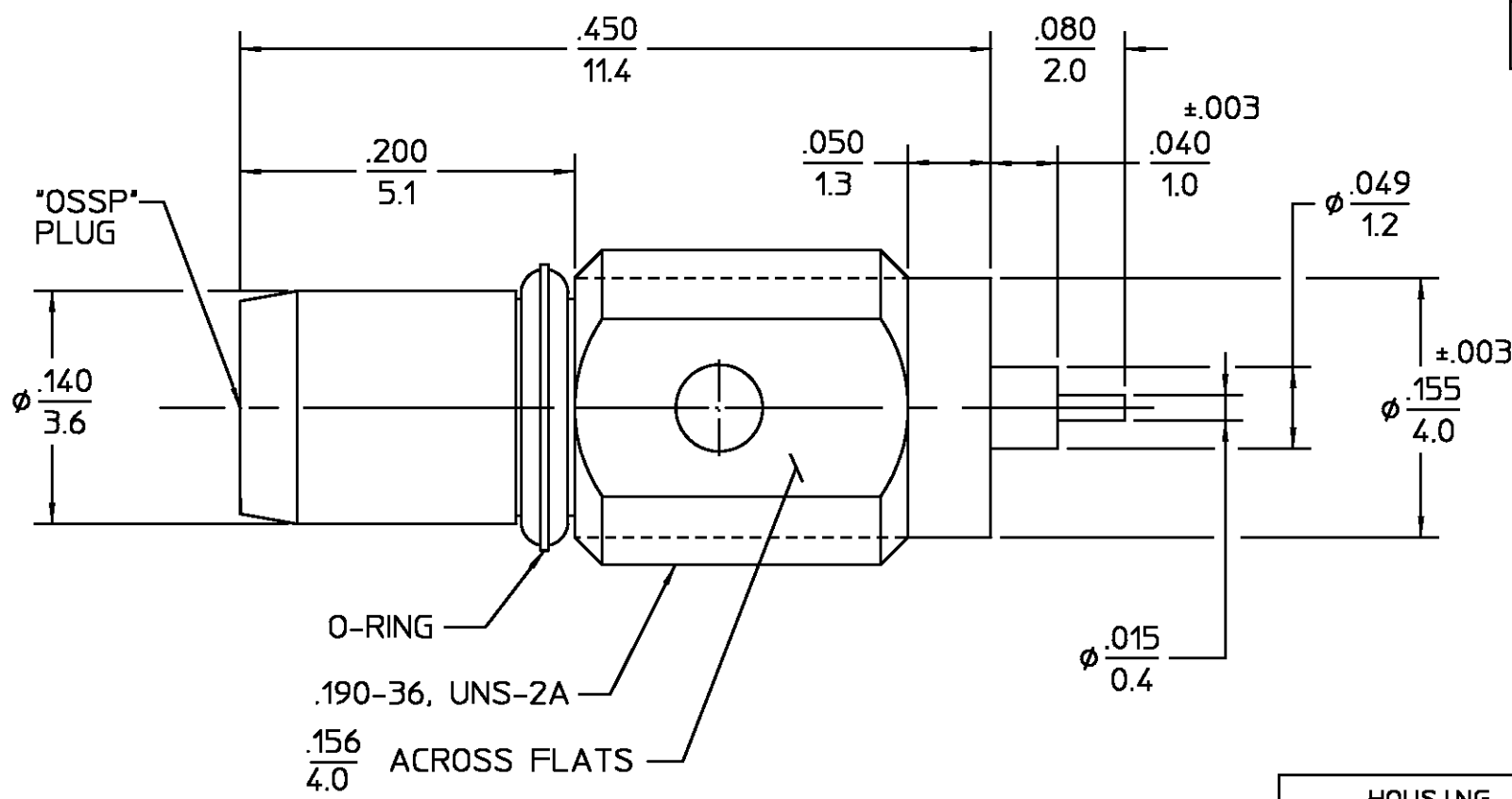


REVISIONS			
REV	DESCRIPTION	DATE	APPROVED
01 ₄	REVISED	KYLE 7-25-97	 8/5/97



ELECTRICAL	MECHANICAL	ENVIRONMENTAL
Nominal Impedance (Ohms) <u>50</u>	Interface Dimensions PER <u>M/A-COM CATALOG</u>	Temperature Rating <u>-65° TO +125°C</u>
Frequency Range (GHz) DC to <u>28.0</u>	Mating Characteristics:	Vibration MIL-STD-202, Method 204, Condition D
Volt Rating (VRMS MAX) @ Sea Level <u>250</u>	Insertion (MAX Lbs) <u>2.0</u>	Shock MIL-STD-202, Method 213, Condition I
VSWR <u>1.33:1 @ 28.0 GHz</u>	Withdrawal (MIN Oz) <u>0.5</u>	Thermal Shock MIL-STD-202, Method 107, Condition B
<u>1.05 + .001f(GHz)</u>	Force to Engage and Disengage (In-Lbs MAX) <u>0.4</u>	Moisture Resistance MIL-STD-202, Method 106
Insertion Loss (dB MAX) <u>.04 √f(GHz)</u>	Center Contact Captivation Axial (Lbs) <u>4.0</u>	Corrosion - MIL-STD-202, Method 101, Condition B, 5% salt spray
RF Leakage (dB MIN) <u>-[60-f(GHz)]</u>		
Corona, 70,000 Ft (VRMS MIN) <u>250</u>		
Dielectric Withstanding Voltage (VRMS MIN) @ Sea Level <u>675</u>		
Contact Resistance (Milliohms MAX) Center Contact <u>6.0</u> Outer Contact <u>3.0</u>		
RF High Potential @ Sea Level (VRMS MIN @ 5 MHz) <u>675</u>		
LR.(Megohms MIN) <u>5,000</u>		

COMPONENT	MATERIAL	FINISH
HOUSING	STAINLESS STEEL PER ASTM-A484 AND ASTM-A582, TYPE 303	PASSIVATE PER QQ-P-35
DIELECTRIC	PTFE FLUOROCARBON PER ASTM-D-1457	N/A
CENTER CONTACT	BERYLLIUM COPPER PER ASTM-B-196 OR ASTM-B-197, ALLOY C17300, CONDITION H	GOLD PLATE PER MIL-G-45204
O-RING	FLUOROSILICONE 60 (DUROMETER) PER MIL-P-25988, CLASS 1, TYPE 1	N/A

UNLESS OTHERWISE SPECIFIED DIMENSIONS ARE IN INCHES

DRAWN BY	PCV	DATE	9-15-86
CHECKED BY	MH/M	DATE	10-1-86
APPD BY	PCV	DATE	10-20-86

FRAC. ± 1/64 DEC. ± .005 ANGLES ± 1°

These drawings and specifications are the property of M/A COM Interconnect Div. and shall not be reproduced or copied or used in whole or in part as the basis for the manufacture or sale of item(s) without written permission.

USE ASSY PROCEDURE NO. A.P. 47-014

AMP Incorporated
140 Fourth Avenue
Waltham, MA 02451-7599

TITLE 'OSSP' PANEL FEEDTHRU PLUG RECEPTACLE-STRAIGHT TERMINAL

SIZE	CODE IDENT NO.	REV
B	26805	01 ₄

SCALE 10:1 SHEET 1 OF 1