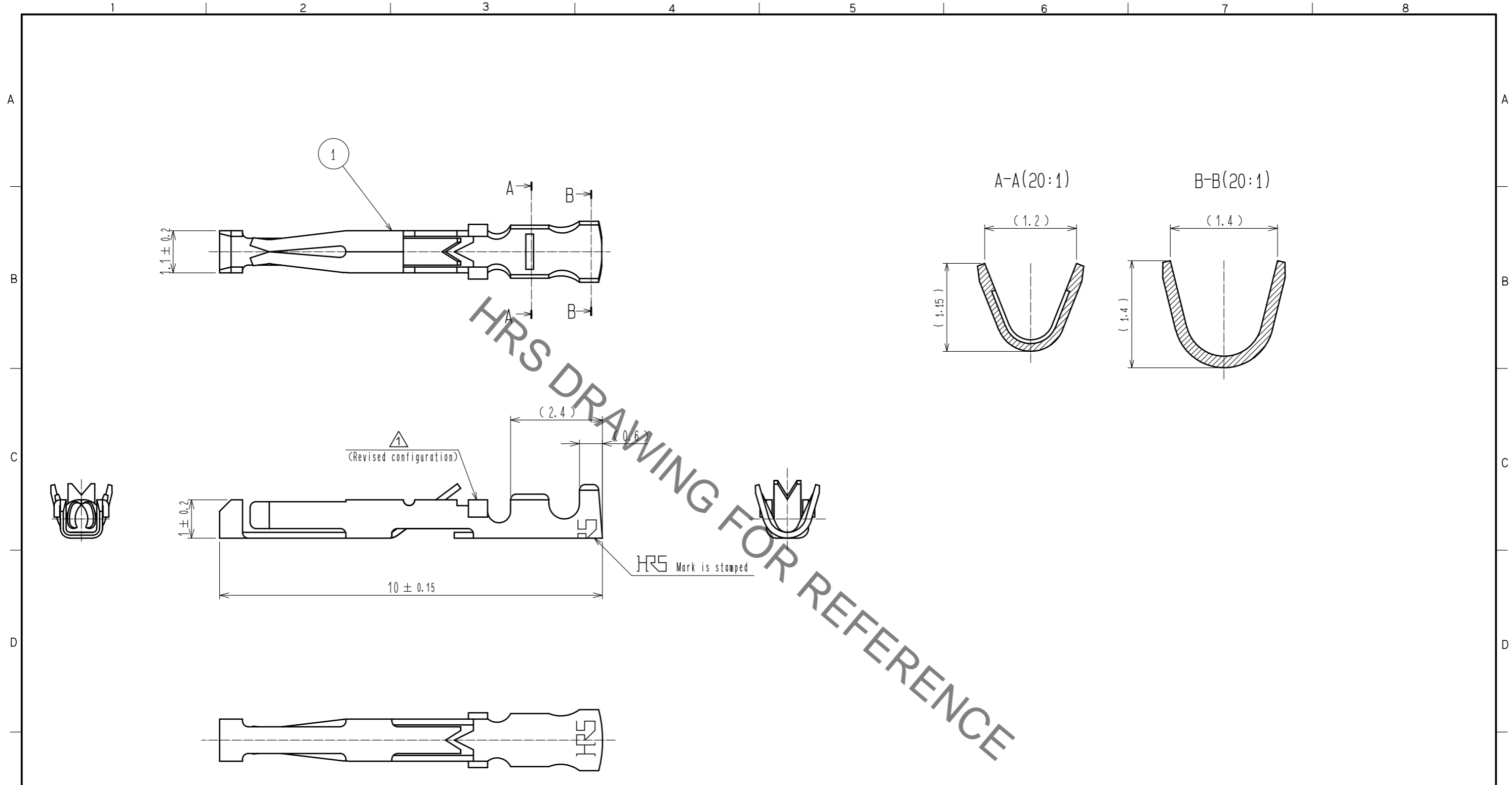


Jul.1.2019 Copyright 2019 HIROSE ELECTRIC CO., LTD. All Rights Reserved.  
 In case of consideration for using Automotive equipment / device which demand high reliability, kindly contact our sales window correspondents.



- Notes 1 Applicable wire size : AGW #26~#30  
 2 Hand crimping tool : HT802/HR12-SC-1(CL150-0400-3-00)

1	Shosphor bronze	Silver plating(100 pcs.)				
NO.	MATERIAL	FINISH . REMARKS	NO.	MATERIAL	FINISH . REMARKS	
UNITS mm		SCALE 10:1	COUNT 1	DESCRIPTION OF REVISIONS DIS-C-00001205		DATE 16.10.07
<b>HRS</b> HIROSE ELECTRIC CO., LTD.		APPROVED : MR. YOSHIDA	05.01.05	DRAWING NO. EDC3-021312-00		
		CHECKED : MO. SATOH	05.01.05	PART NO. HR12-SC-112		
		DESIGNED : YH. YAMADA	05.01.05	CODE NO. CL112-0411-3-00		
		DRAWN : YH. YAMADA	05.01.05			