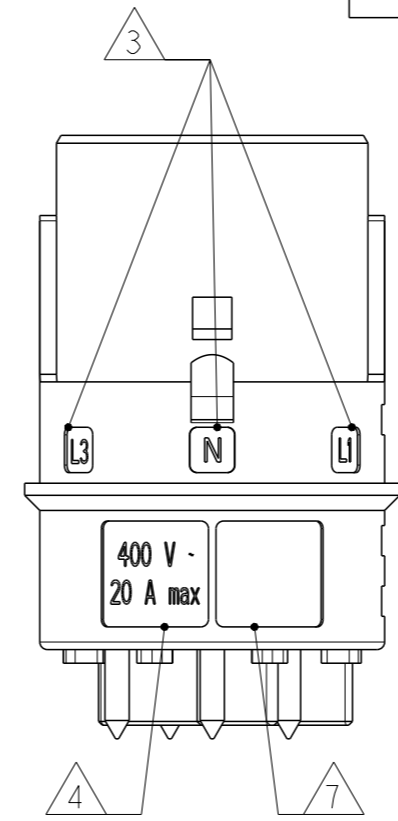
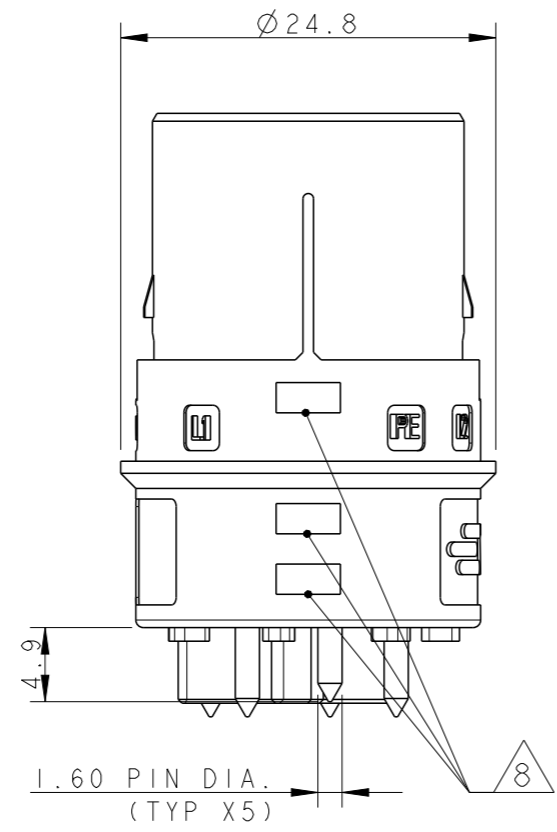
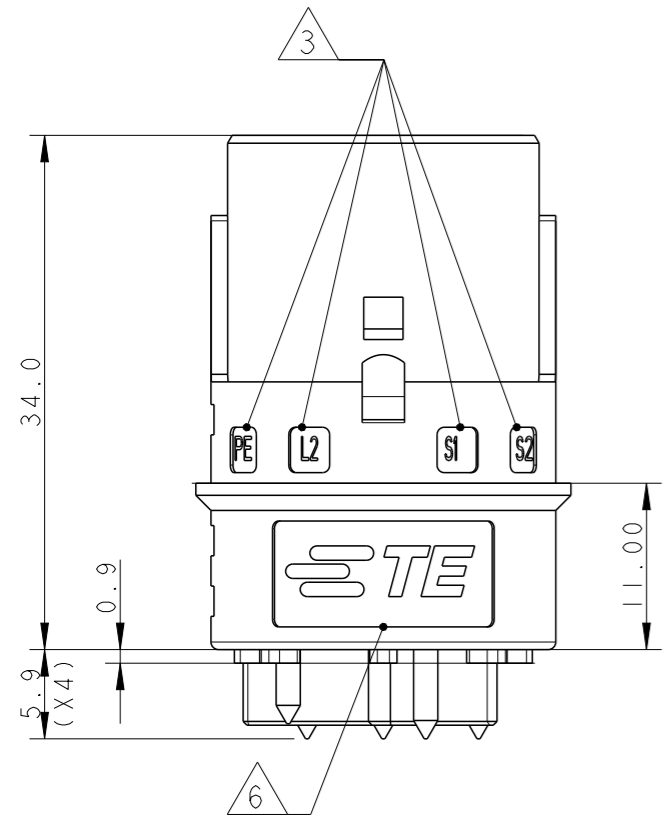


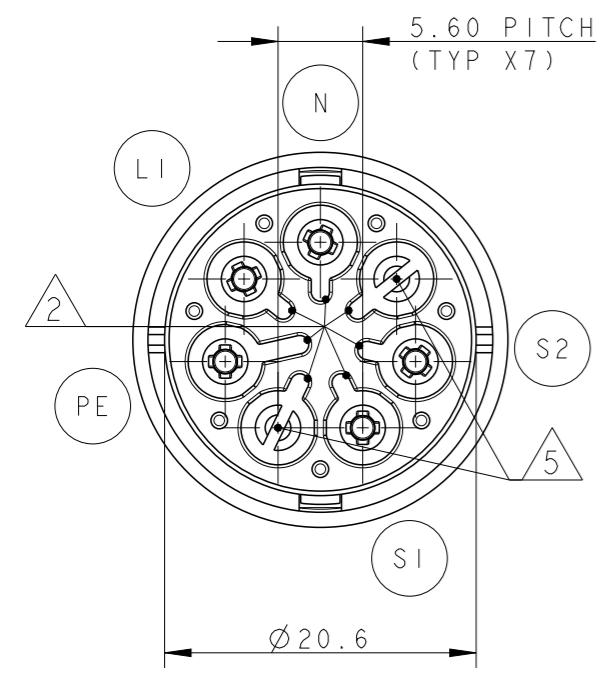
THIS DRAWING IS UNPUBLISHED. RELEASED FOR PUBLICATION 2011  
 © COPYRIGHT 2011 ALL RIGHTS RESERVED.

LOC	DIST	REVISIONS				
P	LTR	DESCRIPTION	DATE	DWN	APVD	
1	-	7	REVISED	09AUG2013	KR	JC
		A	PARTS RELEASED FOR PRODUCTION	13NOV2013	MZ	JC



NOTES:

- 1 MATERIAL: PA GF (NATURAL COLOUR)
- 2 ALL POLARIZATION KEYS SHOWN FOR REF ONLY
- 3 WAYS I.D.
- 4 VOLTAGE AND CURRENT RATINGS
- 5 RIB CLOSING CAVITIES BY CHANGE OVER
- 6 TE LOGO
- 7 AREA FOR AGENCIES APPROVAL LOGO
- 8 VISUAL INDICATOR FOR PE CONDUCTOR
- 9 POLARISATION KEY "TYPE D" SUITABLE FOR DALI APPLICATION



**PCB CUT-OUT AND HOLES DIMENSIONS (±0.03)**

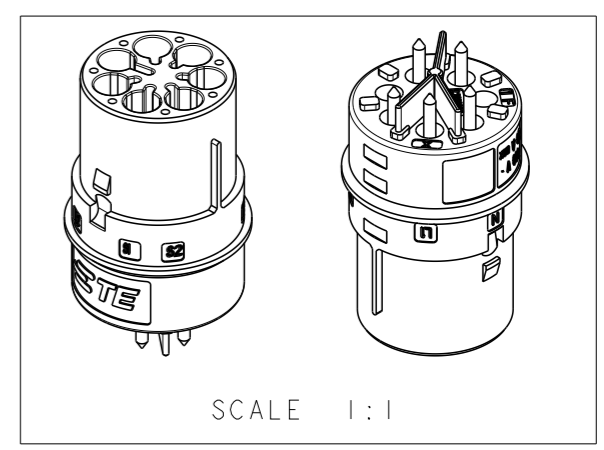
**BOTTOM VIEW**

PIN HOLES CENTER PLACED ALONG VERTEX OF HEPTAGON FIGURE INSCRIBED INTO CIRCLE 12.91mm DIA.

**TOP VIEW**

**BOTTOM VIEW**

**RACOMANDED PCB THICKNESS 1.6±0.06, PATH THICKNESS 0.07, PATH WIDTH 7.50±0.05 FOR LINES, PE, NEUTRAL**



THIS DRAWING IS A CONTROLLED DOCUMENT.		DWN	M. ZUCCA	04APR2011
DIMENSIONS: mm		CHK	M. ZUCCA	04APR2011
TOLERANCES UNLESS OTHERWISE SPECIFIED:		APVD	G. TURCO	04APR2011
0 PLC	±-	PRODUCT SPEC	-	
1 PLC	±0.3	APPLICATION SPEC	-	
2 PLC	±0.20	WEIGHT	-	
3 PLC	±-	Customer Drawing	-	
4 PLC	±-	SCALE	2:1	
ANGLES	±3°	SHEET	1 OF 2	
FINISH	-	REV	A	

**STE** TE Connectivity

NAME: PIN PCB CONNECTOR NECTOR\* M-LINE 5 POLES

SIZE: A300779 CAGE CODE: G-293695

RESTRICTED TO: -

THIS DRAWING IS UNPUBLISHED.

RELEASED FOR PUBLICATION

2011

© COPYRIGHT 2011

ALL RIGHTS RESERVED.

LOC 1 DIST -

REVISIONS

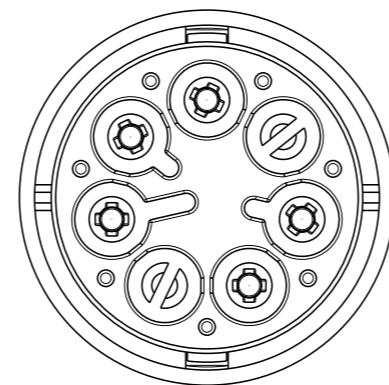
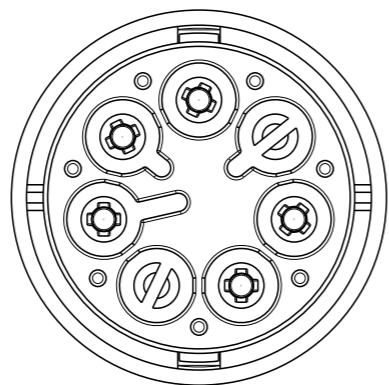
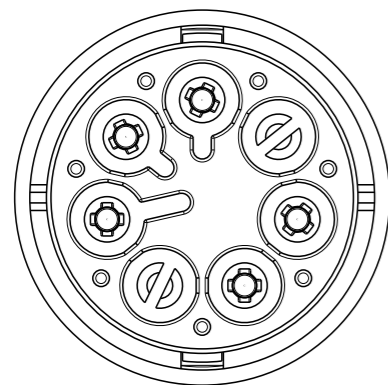
P	LTR	DESCRIPTION	DATE	DWN	APVD
-	-	SEE SHEET 1	-	-	-

POLARIZATION TYPES

POLARIZATION TYPE "A"

POLARIZATION TYPE "B"

POLARIZATION TYPE "C"



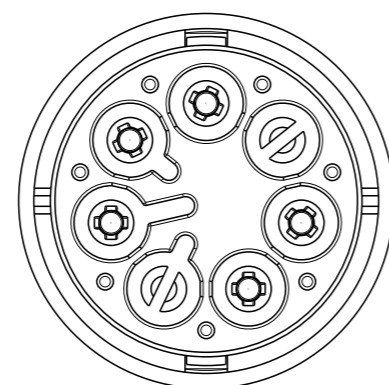
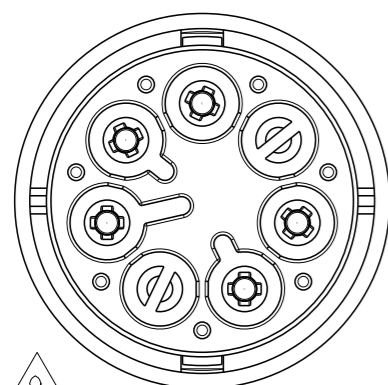
PN 0-293695-1

PN 0-293695-2

PN 0-293695-3

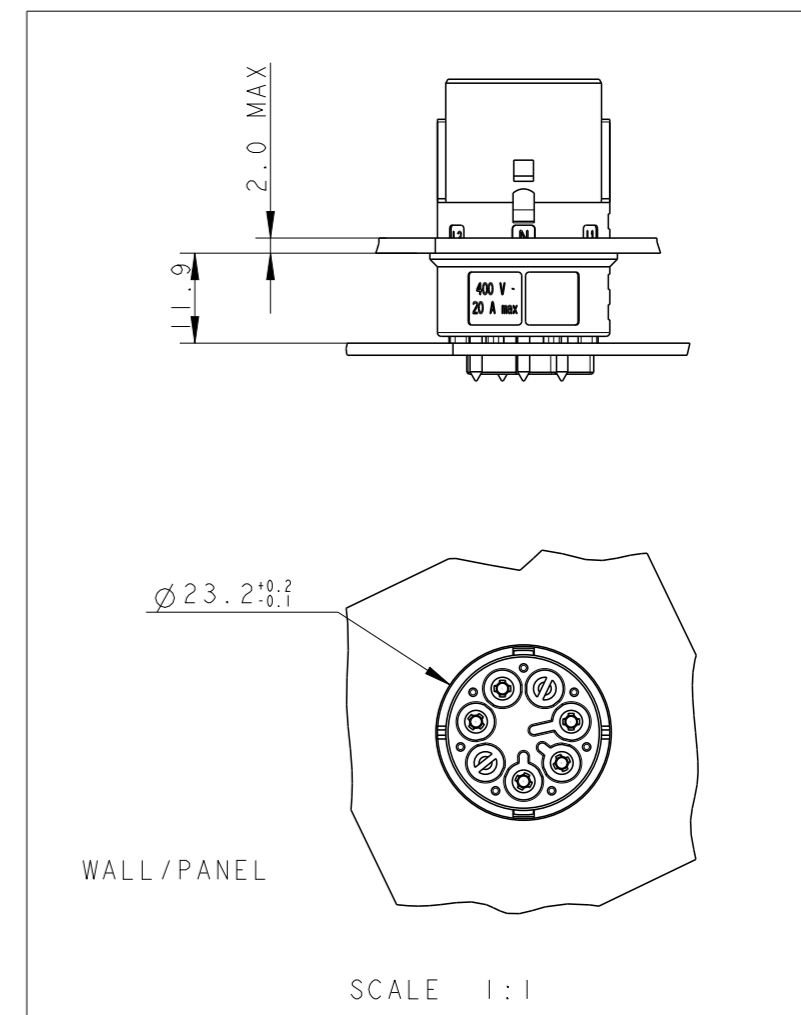
POLARIZATION TYPE "D"

POLARIZATION TYPE "E"



PN 0-293695-4

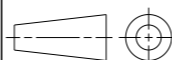
PN 0-293695-5



△ 1	E	NATURAL	PIN PCB CONNECTOR NECTOR* M-LINE 5 POLES	A	0-293695-5
△ 1 9	D	NATURAL	PIN PCB CONNECTOR NECTOR* M-LINE 5 POLES	A	0-293695-4
△ 1	C	NATURAL	PIN PCB CONNECTOR NECTOR* M-LINE 5 POLES	A	0-293695-3
△ 1	B	NATURAL	PIN PCB CONNECTOR NECTOR* M-LINE 5 POLES	A	0-293695-2
△ 1	A	NATURAL	PIN PCB CONNECTOR NECTOR* M-LINE 5 POLES	A	0-293695-1
NOTE	POL. KEYING	COLOUR	DESCRIPTION	REV.	PART NUMBER

THIS DRAWING IS A CONTROLLED DOCUMENT.

DIMENSIONS: mm



TOLERANCES UNLESS OTHERWISE SPECIFIED:

0 PLC ±-

1 PLC ±0.3

2 PLC ±0.20

3 PLC ±-

4 PLC ±-

ANGLES ±3°

MATERIAL -

FINISH -

DWN M. ZUCCA 04APR2011

CHK M. ZUCCA 04APR2011

APVD G. TURCO 04APR2011

PRODUCT SPEC -

APPLICATION SPEC -

WEIGHT -

Customer Drawing



TE Connectivity

PIN PCB CONNECTOR NECTOR\* M-LINE 5 POLES

SIZE CAGE CODE DRAWING NO RESTRICTED TO

A300779 C-293695 -

SCALE 2:1 SHEET 2 OF 2 REV A