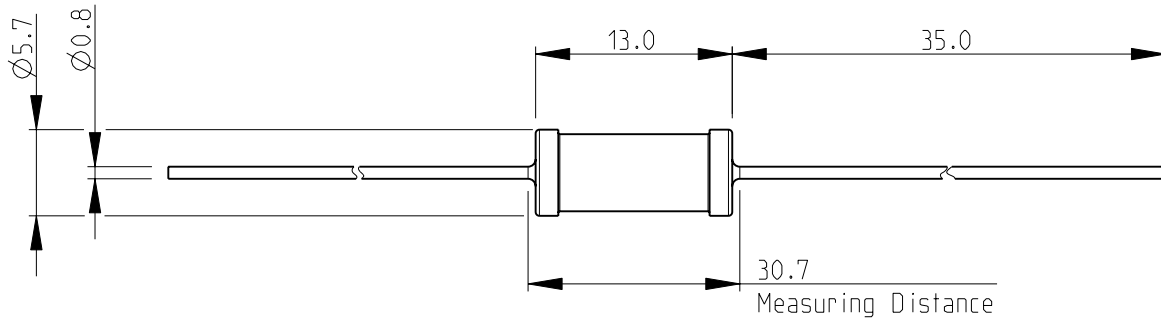
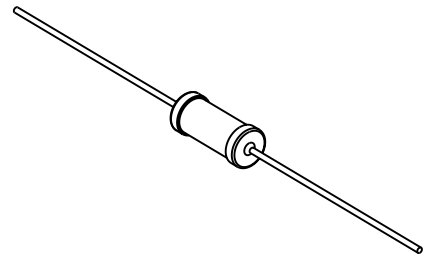


LOC	DIST	REVISIONS			
P	LTR	DESCRIPTION	DATE	DWN	APVD
E	B				
	BA	NEW RELEASE	16-Sep-08	SM	St.P

FOR FURTHER INFORMATION SEE DATA SHEET FOR
C SERIES-HIGH POWER RESISTORS



RoHS Compliant



SCALE 1:1

2008

RELEASED FOR PUBLICATION

THIS DRAWING IS UNPUBLISHED.

BY TYCO ELECTRONICS CORPORATION. ALL RIGHTS RESERVED.

© COPYRIGHT 2008

DIMENSIONS: mm	DWN SUBHASH.M	16-Sep-08	MATERIAL	-	FINISH	-
	CHK PRAKASH.S	16-Sep-08	Tyco Electronics Corporation Dorcan, Swindon, SN3 5HH			
TOLERANCES UNLESS OTHERWISE SPECIFIED:	APVD STEPHEN.P	16-Sep-08				
	0 PLC ± 0.2	PRODUCT SPEC	NAME HIGH POWER RESISTORS SERIES C3A			
1 PLC ± 0.1	-					
2 PLC \pm	APPLICATION SPEC	SIZE CAGE CODE DRAWING NO RESTRICTED TO A 4 00779 C-1623771 -				
3 PLC \pm	-					
4 PLC \pm	WEIGHT	-	CUSTOMER DRAWING SCALE 2:1 SHEET 1 OF 1 REV BA			
ANGLES $\pm 5^\circ$	-					