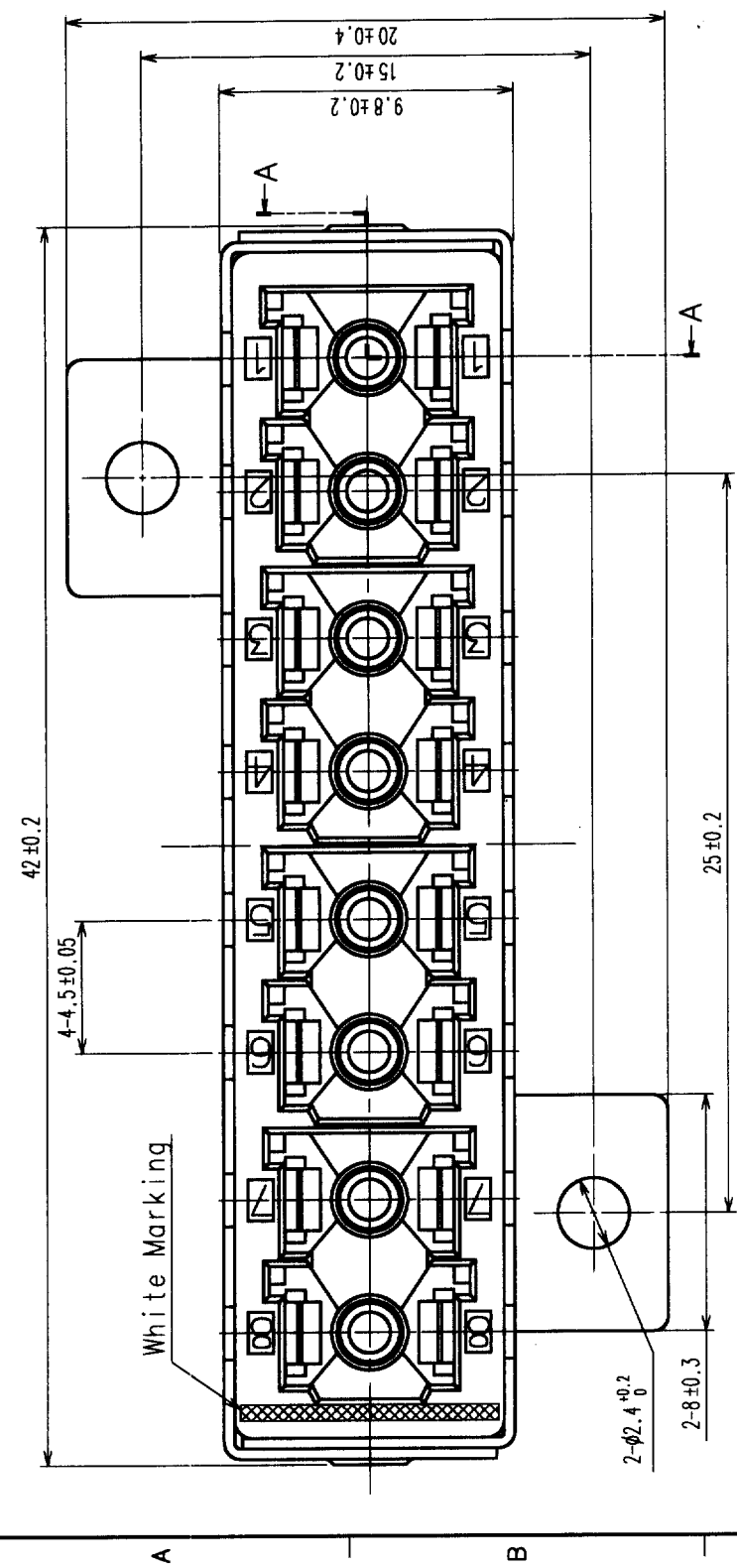
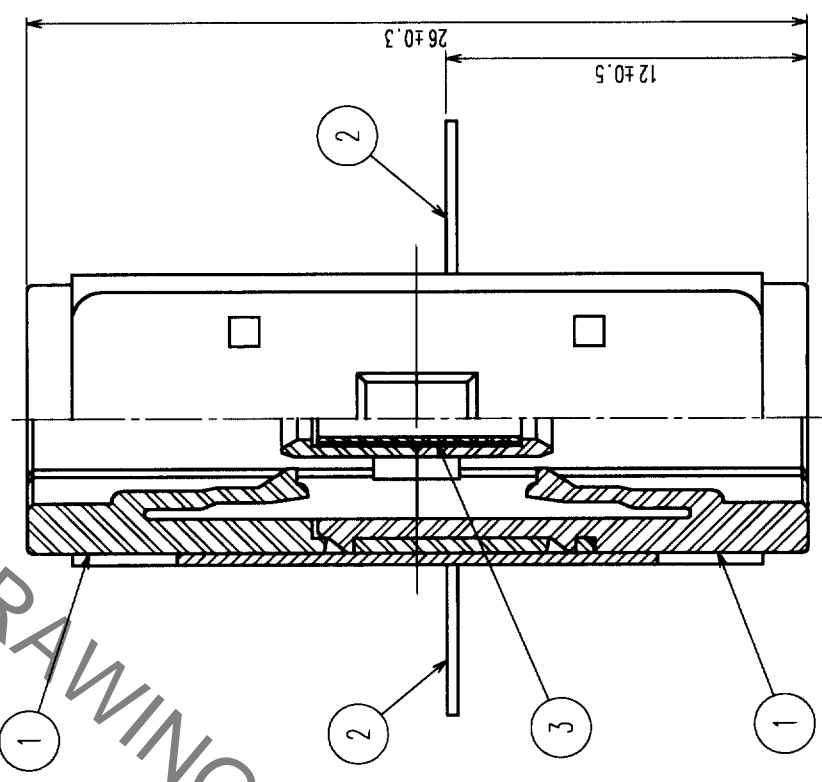
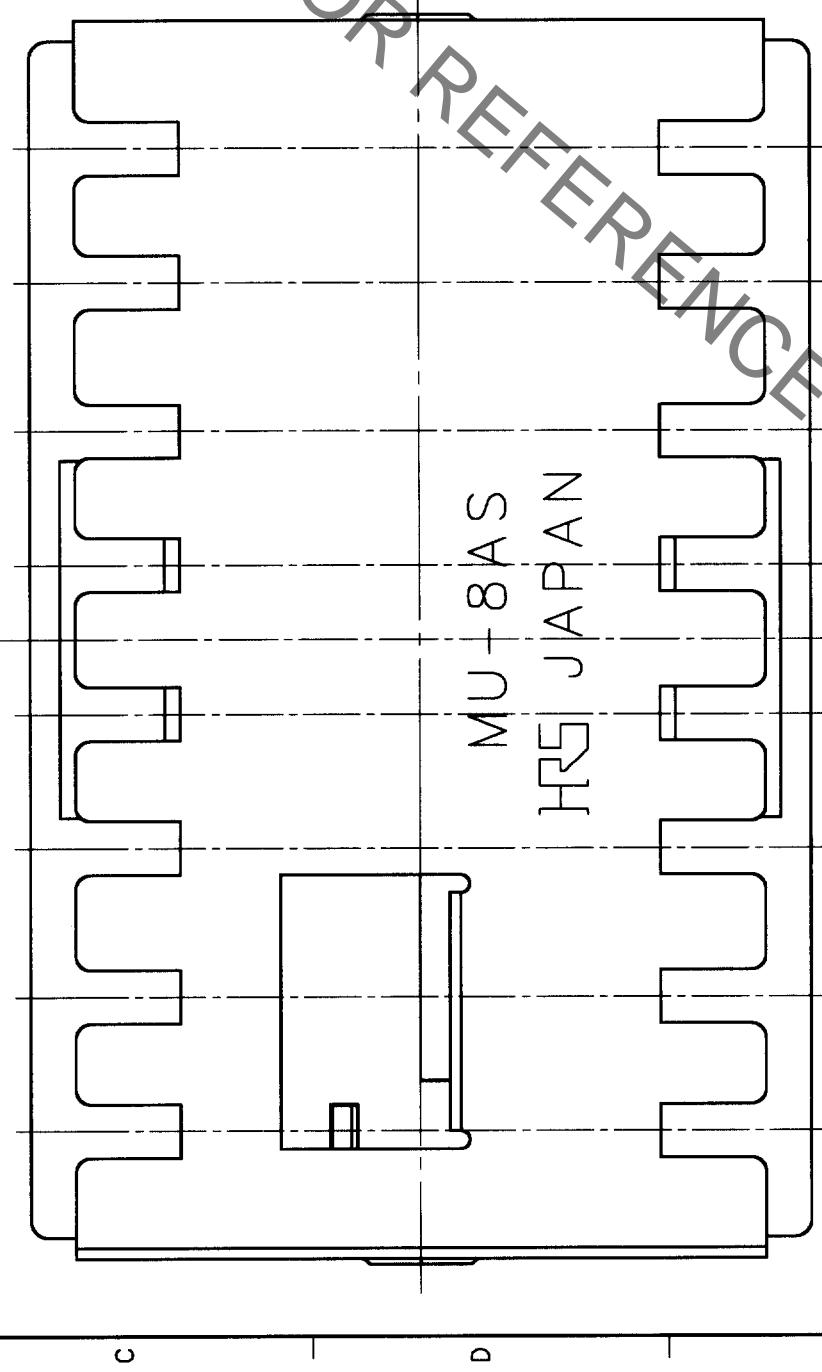
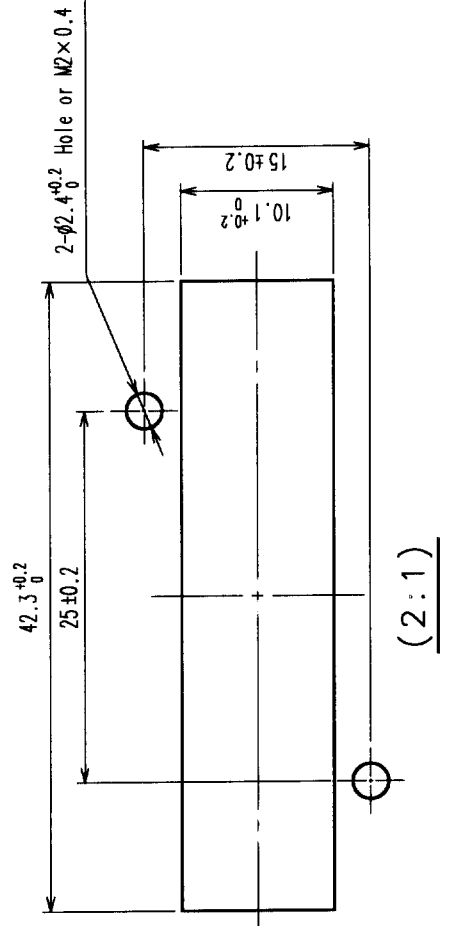


In case of consideration for using Automotive equipment / device which demand high reliability, kindly contact our sales window correspondents.

COUNT	DESCRIPTION OF REVISIONS	BY	CHKD	DATE	COUNT	DESCRIPTION OF REVISIONS	BY	CHKD	DATE
△					△				
△					△				
△					△				



Recommended Panel Cutout



NOTE  $\square$  Delivered with cap installed.

NO.	MATERIAL	FINISH, REMARKS	NO.	MATERIAL	FINISH, REMARKS
2	Stainless Steel		4	Synthetic Resin	
1	Synthetic Resin		3	Zirconia	

CODE NO. (OLD)	DRAWN	DESIGNED	CHECKED	APPROVED	RELEASED
	<i>Y. Saeki</i>	<i>Y. Saeki</i>	<i>M. Sano</i>	<i>F. Nagai</i>	
	02.01.17	02.01.19	02.01.17	02.01.18	

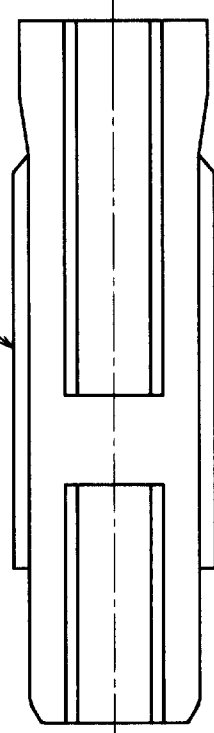
  

DRAWING NO.	PART NO.
EDC3-174805	HMUA-8AS-3

SCALE	UNITS	CODE NO.
4 : 1	mm	CL710-0175-9

4 16 Pieces  $\square$



TO			
----	--	--	--

HRS DRAWING FOR REFERENCE

MU-8AS  
HRS JAPAN