

NOTES:

- MATERIALS AND FINISHES:
 BODY - PHOSPHOR BRONZE, NICKEL PLATING
 SHELL - BRASS, NICKEL PLATING
 CONTACT PIN - BRASS, GOLD PLATING
 INSULATORS - PTFE, NATURAL
 SPRING - BeCu, NICKEL PLATING
 GASKET - RUBBER, RED

- ELECTRICAL:
 A. IMPEDANCE: 75 OHM
 B. FREQUENCY RANGE: DC - 12 GHz
 C. RETURN LOSS (VSWR): 25 dB MIN (1.11) @ DC - 6 GHz
 20 dB MIN (1.22) @ 6 - 12 GHz
 D. DIELECTRIC WITHSTANDING VOLTAGE: 1500 VRMS, MIN.

- MECHANICAL:
 A. DURABILITY: 500 CYCLES MIN.
 B. TEMPERATURE RANGE: -30° C TO + 85° C

- CRIMPED FERRULE
 HEX. CRIMP SIZE .319"

- CRIMPED CONTACT PIN
 SQ. CRIMP SIZE .042"

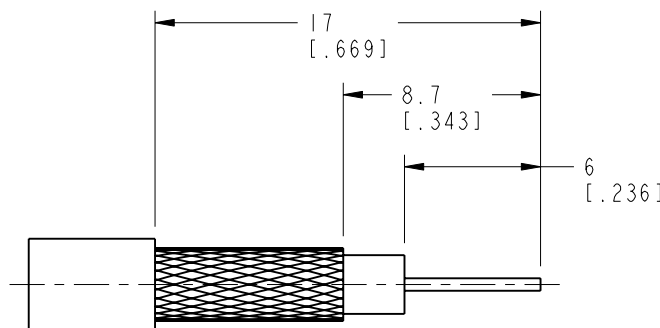
6 SHOWS CABLE ENTRY DIMENSIONS

- PACKAGING:
 A. QUANTITY: SINGLE PACK
 B. BAG TO BE MARKED: AMPHENOL RF
 31-70558-12G
 YYWW

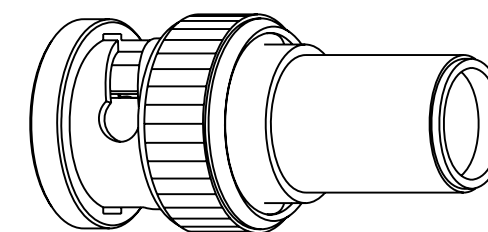
THIRD ANGLE PROJ.

REVISIONS

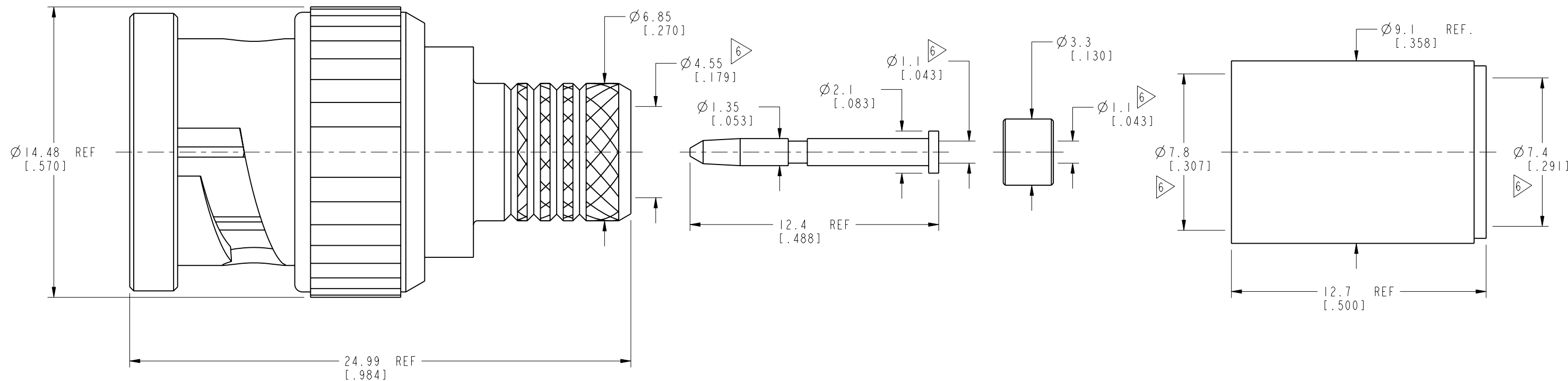
| REV | DESCRIPTION | DATE | ECO | APPR |
|-----|--------------------------|-----------|-------|------|
| A | RELEASE TO MANUFACTURING | 20-Nov-18 | 09704 | CJV |



RECOMMENDED CABLE STRIPPING DIMENSIONS



SCALE 2.000



CUSTOMER OUTLINE DRAWING

ALL OTHER SHEETS ARE FOR INTERNAL USE ONLY

| | | | | | | | |
|---|------------------------------|-------------|-----------|--|---------------------------|---|-----------------------|
| UNLESS OTHERWISE SPECIFIED, DIMENSIONS ARE IN METRIC AND TOLERANCES ARE: <0.5mm ± 0.05mm 0.5 - 6mm ± 0.1mm 6 - 30mm ± 0.2mm 30 - 120mm ± 0.3mm ANGLES ± 1° | MATERIAL | DRAWN | DATE | TITLE BNC CRIMP PLUG-75 OHM (BELDEN 4694P CABLE) | | Amphenol RF www.amphenolrf.com | |
| | SEE NOTES | K. SONG | 22-Nov-18 | | | | |
| NOTICE - These drawings, specifications, or other data (1) are, and remain the property of Amphenol corp. (2) must be returned upon request; and (3) are confidential and not to be disclosed to any person other than those to whom they are given by Amphenol Corp. the furnishing of these drawings, specifications, or other data by Amphenol Corp., or to any other person to anyone for any purpose is not to be regarded by implication or otherwise in any manner licensing, granting rights to permitting such holder or any other person to manufacture, use or sell any product, process or design, patented or otherwise, that may in any way be related to or disclosed by said drawings, specifications, or other data. | REFERENCE | ENGINEER | DATE | SCALE: 3.0:1.0 SHEET 2 OF 2 | | DRAWING NO. 31-70558-12G ITEM NO. 31-70558-12G | |
| | 8542 AND 31-70548-12G | C. VIGORITO | 20-Nov-18 | | | | |
| | CONFIGURATION LEVEL: In Work | APPROVED | DATE | | DWG SIZE REV B A | | PART NO. 31-70558-12G |
| FINISH | FIGO | 27-Nov-18 | | | | | |