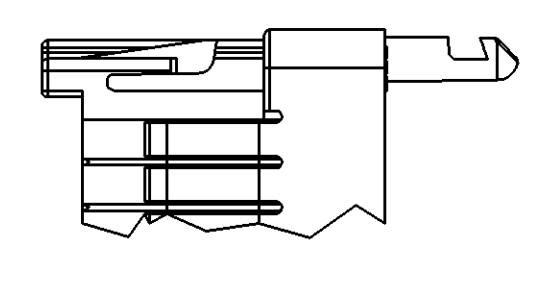
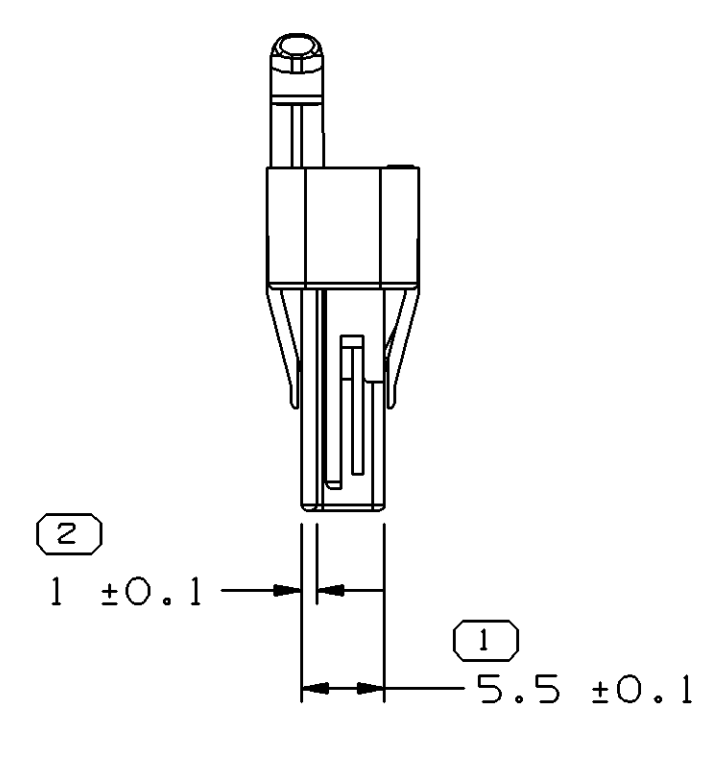
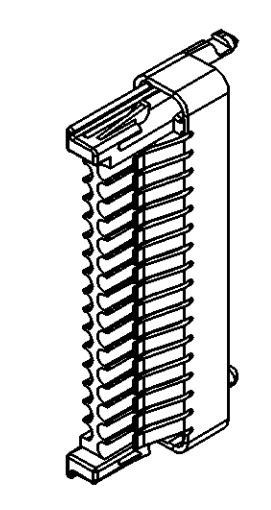
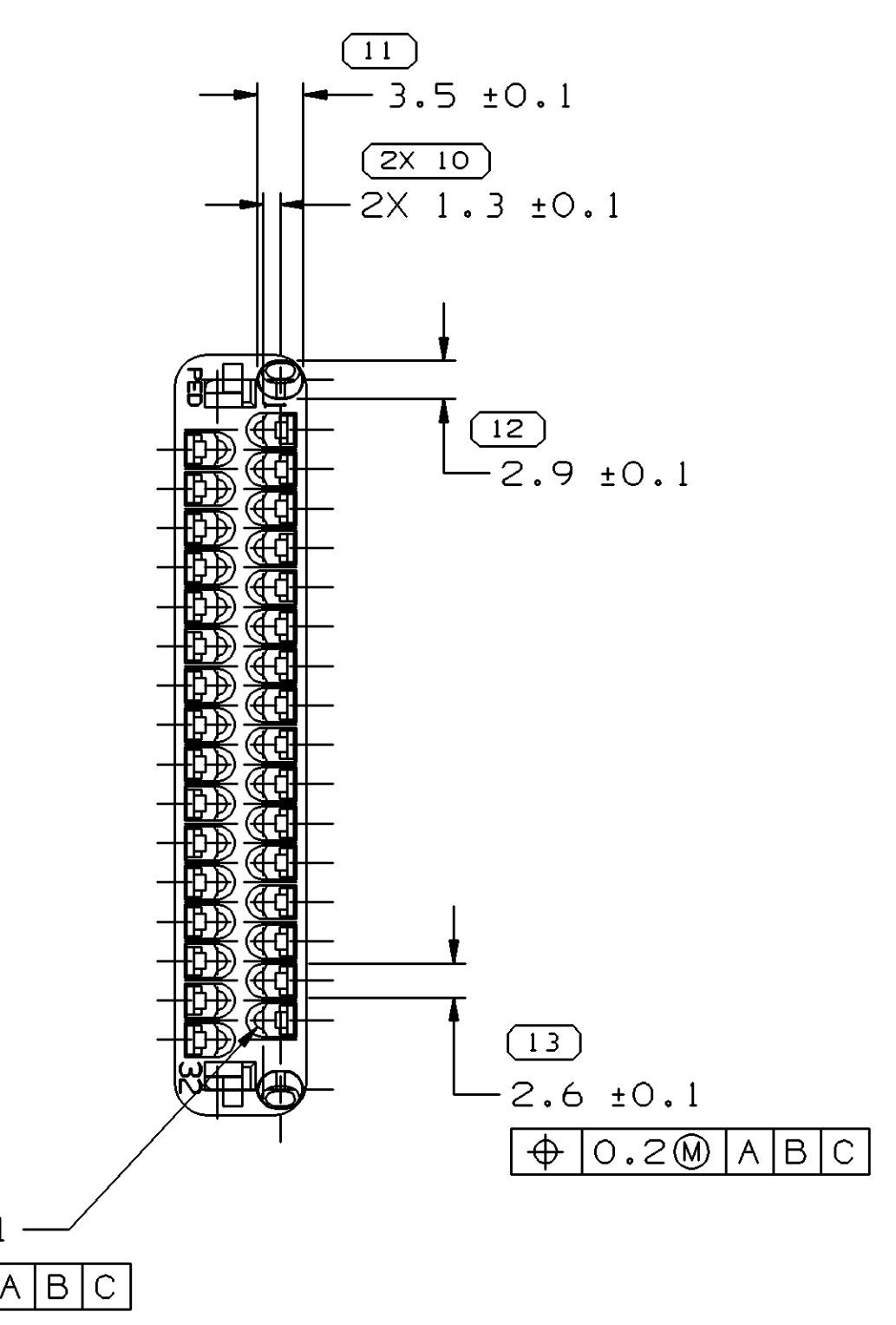
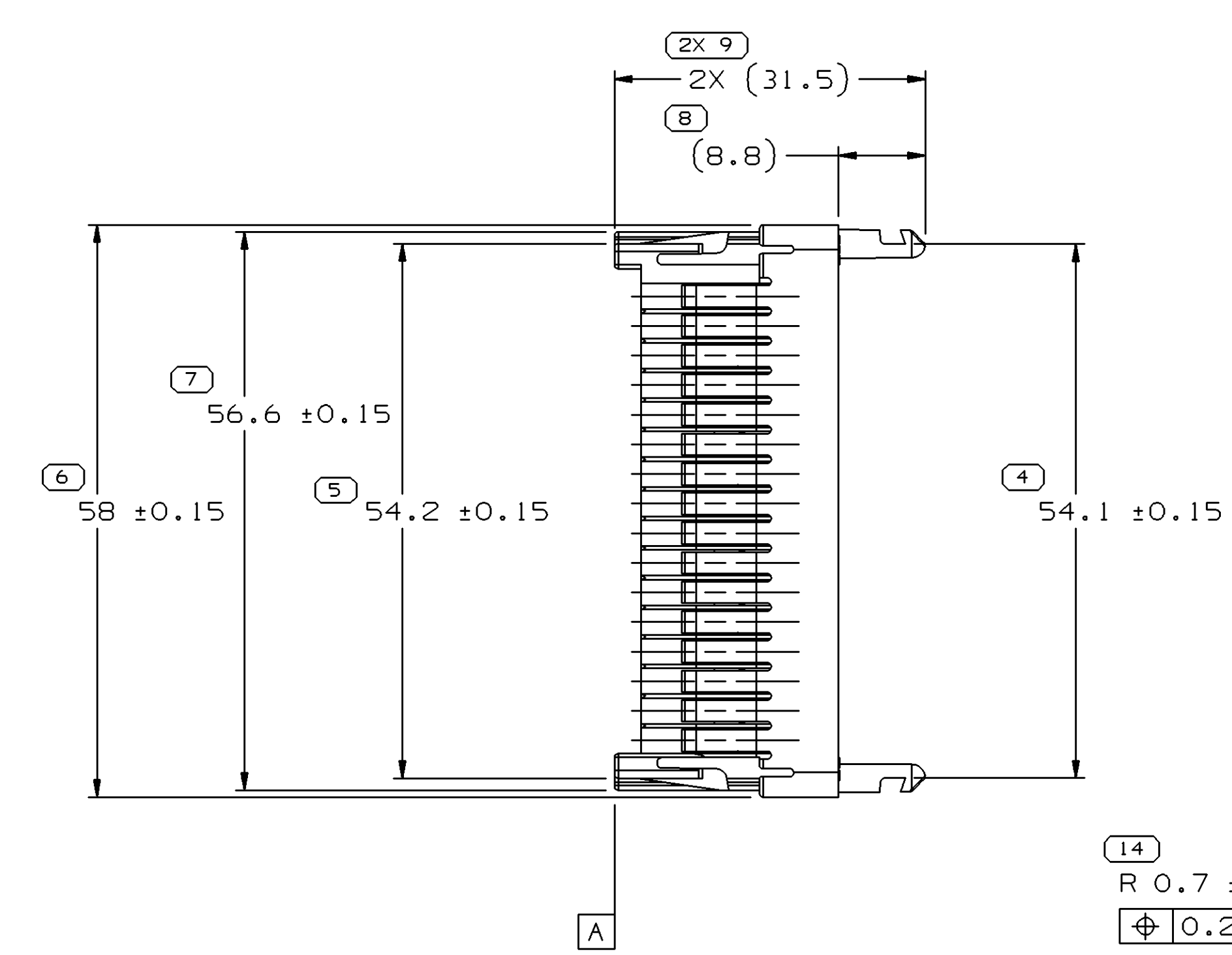
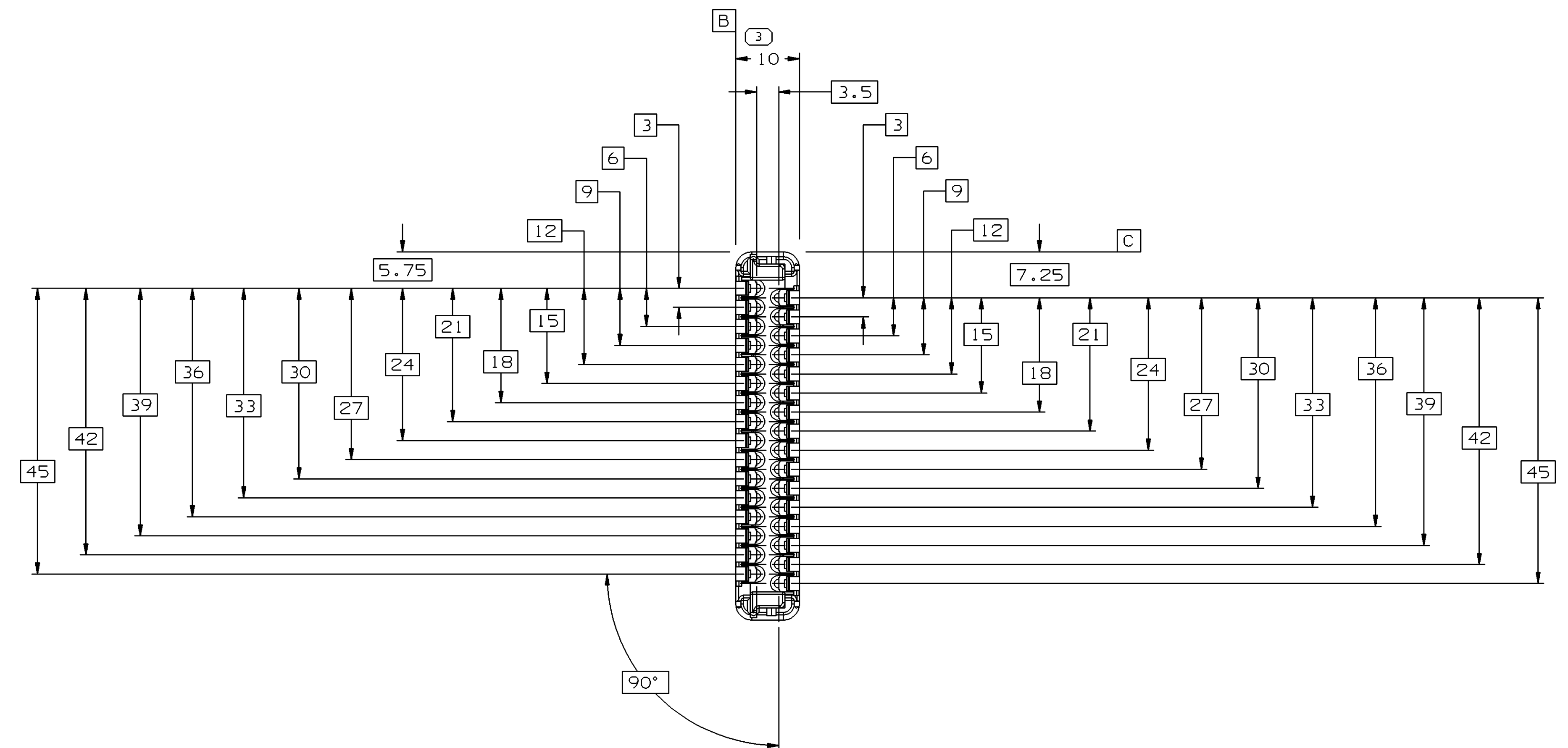


SYMBOL DEFINITION		MISSING SYMBOLS	
A DIMENSION WITHOUT AN INSPECTION REPORT SYMBOL DOES NOT REQUIRE INSPECTION. IT MAY BE CONTROLLED ON THE INDIVIDUAL COMPONENT DRAWING.	TOTAL NO OF INSPECTIONS REQUIRED	NO MISSING SYMBOL NUMBER	
	16		
	LAST NO. USED		
	14		

DWO STATUS				ZONE				REVISION HISTORY				AUTH		DR		APVD		
DATE	STG	REV	N/P	CHO	ZONE	DATE	REV	BY	CHKD	DATE	REV	BY	CHKD	DATE	REV	BY	CHKD	
31MY05	R	J6	-	-														



OPTIONAL CONSTRUCTION  
4X CORE SUPPORT SLOT MAY BE REMOVED



NOTES

- UNLESS OTHERWISE SPECIFIED AND/OR INDICATED:  
DIMENSIONS ARE TO FACE OF VIEW SHOWN AND AUTOMATICALLY ROUNDED BY COMPUTER FOR INSPECTION (SEE MATH MODEL FOR PRECISE DIMENSIONS). FOR ALL OTHER DIMENSIONS NOT SHOWN BUT REQUIRED FOR TOOL BUILD, SEE MATH MODEL FOR PRECISE TOOL PATH DATA.
- MATERIAL RECYCLING CODE PER ISO 11469. (1)(X)(0.1) CHARACTERS AS SHOWN TO BE LOCATED ON ANY EXTERIOR SURFACE. OPTIONAL CONSTRUCTION TO BE NO MATERIAL RECYCLING CODE.
- THIS PART ACCEPTS THE FOLLOWING COMPONENTS OR EQUIVALENT:  
CAVITIES TO ACCEPT TERMINAL 12084912  
CONNECTOR/CABLE SEAL 12129229  
TERMINAL POSITION ASSURANCE LOCK 12129231  
STRAIN RELIEF 12129233
- THIS PART ALSO USED WITH CPA 12110299, CAVITY PLUG(S) 12129557.  
NOTE: THERE IS NO MATING HEADER CONNECTOR ASSEMBLY FOR THIS PART.
- (1)(X)(0.1) DELPHI CORPORATE BRAND TO BE LOCATED ON ANY EXTERIOR SURFACE, PREFERABLY VISIBLE AT FINAL ASSEMBLY. OPTIONAL CONSTRUCTION FOR EXISTING TOOLING MAY BE "PED".

DIMENSIONAL RANGE (MM)	TOLERANCE	CHART	ET
FROM > 0	> 20	> 30	> 70
TO 20	30	70	100
	100	150	200
	200	250	300
	300	400	
TOLERANCE UNLESS OTHERWISE SPECIFIED			
10, 15	±0.2	±0.3	±0.4
	±0.5	±0.6	±0.8
	±1	±1.2	
ANGULAR TOLERANCE 12°			

DWO TYPE		PART DRAWING	
STYLE		DISTR CODE	D
VOLUME (COP)	4,196		

UNLESS OTHERWISE SPECIFIED			
THIS DOCUMENT IS IN ACCORDANCE WITH ASME Y14.5M-1994 AS MODIFIED BY THE 2003 DIMENSIONING AND TOLERANCING ADDENDUM (Y14.5M-2003). SEPARATE PATTERNING OF FEATURES MAY BE GIVEN SEPARATELY REGARDLESS OF DATUM REFERENCE.			
ALL DIMENSIONS ARE IN MILLIMETERS			
REFERENCE			

**DELPHI**  
DELPHI PACKARD ELECTRIC SYSTEMS  
WARREN, OH

DR	DATE
APVD1 BRIAN MADISON	11 JUL 91
APVD2 BRIAN MADISON	18 JUL 91
APVD3 R. POLEHONKI	05AUG91
APVD4	
APVD5	

SUBSTANCES OF CONCERN AND RECYCLED CONTENT PER DELPHI 10949001

MATERIAL M4695001 PBT NAT

DRAWING NAME  
CONN 32 F MIC/P 100W NAT SLD

DRAWING NUMBER  
12129228

SIZE	SCALE	FRAME NO	SHEET NO	TSTG	REV	N/P
A0	2:1	1	1	1	1	J6