



## Main

Range of product	Zelio Control
Product or component type	Modular measurement and control relays
Relay type	Temperature control relays
Product specific application	Heating or cooling HVAC Industrial machines Packaging
Relay name	RTC

## Complementary

Outer dimension	1/16 DIN 48 x 48 mm
Analogue input type	Current 0...20 mA Current 4...20 mA Voltage 0...10 V DC Thermocouple (thermocouple J, K, R, B, S, T, E, N, PLII, C(W/Re5-26)) Temperature probe (temperature probe: Pt 100, JPt 100) Voltage 0...1 V DC Voltage 0...5 V DC Voltage 1...5 V DC
[Us] rated supply voltage	24 V AC/DC
[Us] rated supply voltage	24 V AC/DC
Supply voltage limits	20...28 V
Measurement accuracy	0.2 % full scale
Sampling duration	250 ms
Number of outputs	1 solid state output output 1 1 solid state output output 2
Output type	Solid state output at 12 V DC / 40 mA
Alarm output	1 C/O
Power consumption in VA	<= 8 VA at 250 V AC
Communication port protocol	Modbus RTU and ASCII
Method of access	Slave
Transmission frame	RTU/ASCII
Physical interface	RS485 non isolated
Exchange mode	Half duplex
Transmission rate	9600, 19200 kbit/s
Function available	Auto tuning PID
Marking	CE
Operating position	Any position
Display type	11 segments LCD
Display digits	5
Signalling function	Process value green, orange and red Output status (OUT1, OUT2) orange Alarm status (EV1, EV2) orange Transmission/reception activity (TX/TR) orange Setpoint value green
Mounting support	Panel
Product weight	4.23 oz (120 g)

## Environment

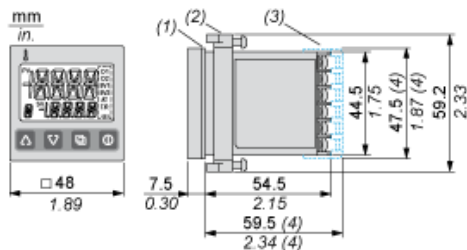
standards	EN 61010-1 EN 61326-1 CSA C22.2 No 24-93
product certifications	CURus (873)
ambient air temperature for storage	-13...176 °F (-25...80 °C)
ambient air temperature for operation	32...122 °F (0...50 °C)
relative humidity	35...85 % without condensation
vibration resistance	1 gn at 10...55 Hz conforming to IEC 60068-2-6
shock resistance	10 gn conforming to IEC 60068-2-27
IP degree of protection	IP20 (rear) IP66 (front face) conforming to IEC 60529
NEMA degree of protection	NEMA 4X (front face)

## Offer Sustainability

Green Premium product	Green Premium product
Compliant - since 1314 - Schneider Electric declaration of conformity	Compliant - since 1314 - Schneider Electric declaration of conformity
Reference not containing SVHC above the threshold	Reference not containing SVHC above the threshold
Available	Available
Available	Available
WARNING: This product can expose you to chemicals including:	WARNING: This product can expose you to chemicals including:
Lead and lead compounds, which is known to the State of California to cause cancer and birth defects or other reproductive harm.	Lead and lead compounds, which is known to the State of California to cause cancer and birth defects or other reproductive harm.
For more information go to <a href="http://www.p65warnings.ca.gov">www.p65warnings.ca.gov</a>	For more information go to <a href="http://www.p65warnings.ca.gov">www.p65warnings.ca.gov</a>

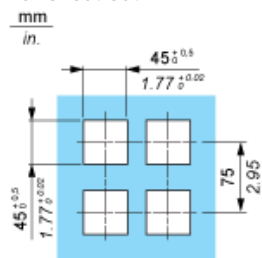
## 48 x 48 Size – 1/16 DIN Standard

### Panel Mounting : Mounting Frame Supplied

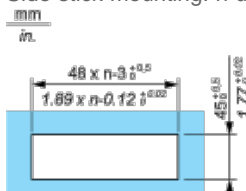


- (1) Gasket
- (2) Mounting frame
- (3) Terminal cover, to be ordered separately.
- (4) When Terminal cover (sold separately) is used

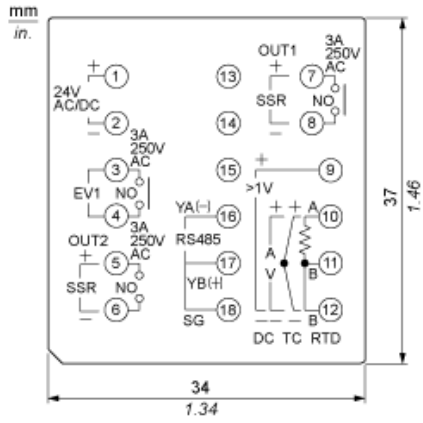
### Panel cut-out



### Side stick mounting: n units (water-proof property lost in this case)



## Wiring Diagram



EV : Alarm output

OUT :Control output

DC : DC current or DC voltage input

TC : Thermocouple input

RTD :Resistance temperature detector input

RS485 :Serial communication

SSR :Solid State relay