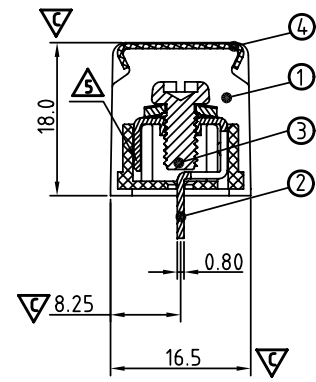
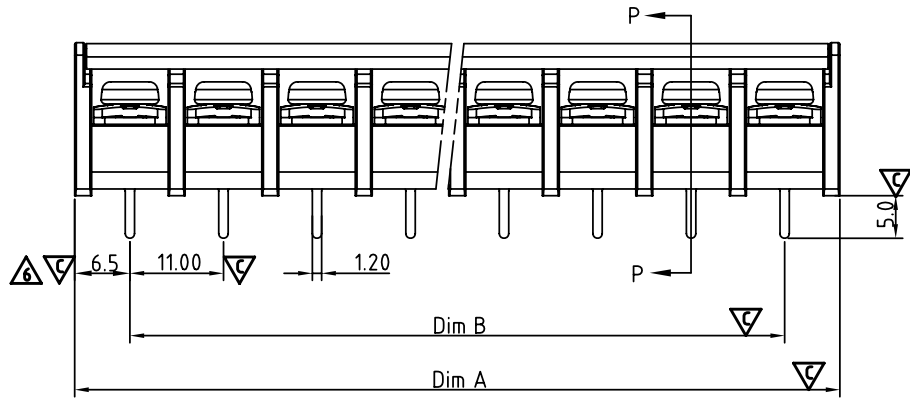
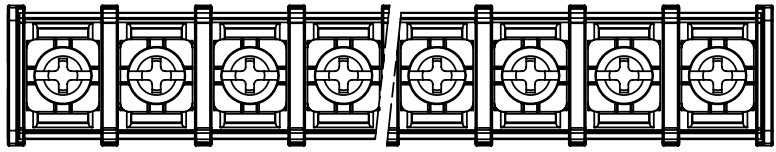
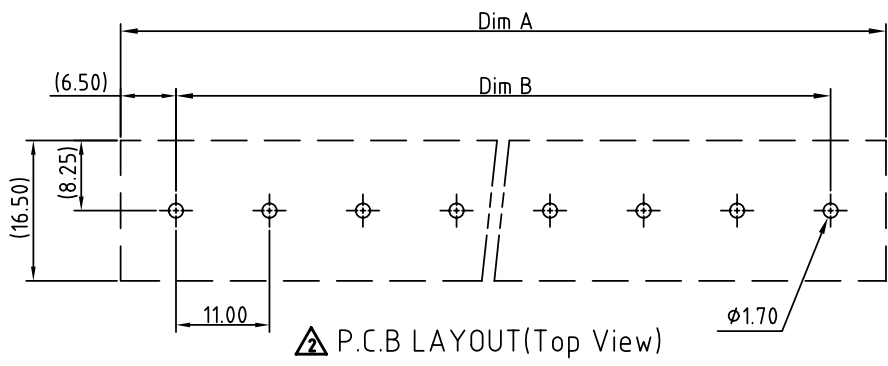
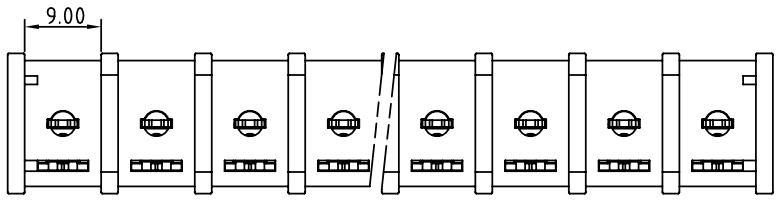


SIGN	DATE	DESCRIPTION	APPROVER
△	10/14'09	Terminal screw plated is changed from Ni plated to Zinc plated	Aaron
△	05/28'11	Add the P.C.B LAYOUT	Tason
△	05/28'11	Critical dimension is changed.	Tason
△	05/28'11	The tolerance table is changed.	Tason
△	01/04'12	The design is changed.	Chen Bo
△	01/04'12	The Dimension 6.5 are added	Chen Bo
△	12/11'12	Update the drawing	Jacky

THIS IS CAD DRAWING, DO NOT REVISE MANUALLY!!!



Section P-P



△ P.C.B LAYOUT(Top View)

△
 N = Number of poles
 Dim A = $N \times 11.0 + 2.0$
 Dim B = $(N - 1) \times 11.0$

Pol.	Tol.	Dim A & B
2-4p		± 0.20
5-11p		± 0.30
17-18p		± 0.40

MATERIALS ELECTRICAL
 RATED VOLTAGE & CURRENT: 300 V, 30 A
 WITHSTAND VOLTAGE: AC 2000 V/Min
 INSULATION RESISTANCE: 1000 MΩ OR MORE AT DC 500 V
 OPERATING TEMPERATURE RANG: -40 °C ~ +115 °C
 SCREW TORQUE VALUE: 15 Kgf.cm
 WIRE RANGE: 22 - 10AWG
 1) BODY: THERMOPLASTICS, UL94-V0 BLACK
 2) TERMINAL: BRASS, 0.8t, Tin PLATED
 3) TERMINAL SCREWS WITH WASHER: STEEL, Zinc PLATED, M4.0 △
 4) COVER: PC, TRANSPARENT

△ Critical dimension: ▽
 APPROVAL:

YK 701xx 2 x x 00G
 NO. OF POLES ————
 02: 2 POLES
 03: 3 POLES
 04: 4 POLES
 :
 18: 18 POLES

——— G RoHS compliant (lead<4%) In copper Alloy
 ——— MARK
 0: "@ " MARK
 1: "ANY " MARK
 ——— TERMINAL & SCREW PLATED
 0: TERMINAL & SCREW: G/F
 △ 1: TERMINAL: G/F, SCREW: Zinc
 2: TERMINAL: Sn, SCREW: G/F
 △ 3: TERMINAL: Sn, SCREW: Zinc

ANYTEK				CUSTOMER COPY				
								<small>ALL RIGHTS RESERVED. REPRODUCTION OR ISSUE TO THIRD PARTIES IN ANY FORM WHATSOEVER IS NOT PERMITTED WITHOUT WRITTEN AUTHORITY FROM THE PROPRIETOR. PROPERTY OF ANYTEK TECHNOLOGY CO., LTD</small>
TITLE		YK701 With cover and W/o flange SERIES						
PART NO.		YK701xx2xx00G			DWG NO.		8YK0001-701	
APPROVED		CHECKED	DESIGNED	DRAWN	CUST NO.		Tolerance	
				Jacky 2012.12.11			X. ±0.50 X.X ±0.30 X.XX ±0.10 X° ±1°	
					SHEET: 01/01		UNIT: mm SCALE: NONE REV.: E	