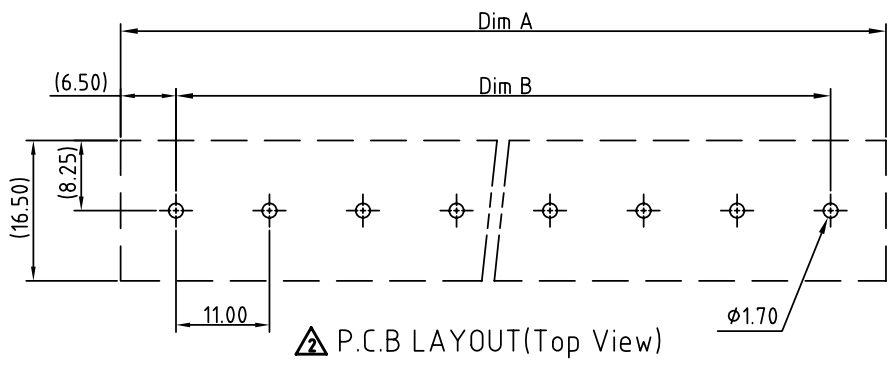
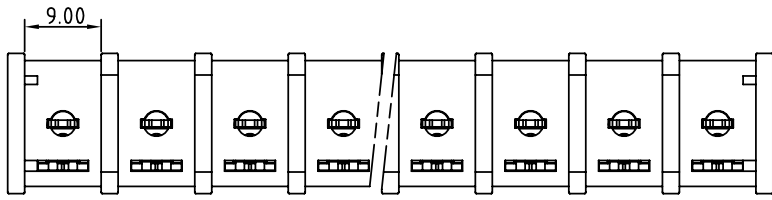
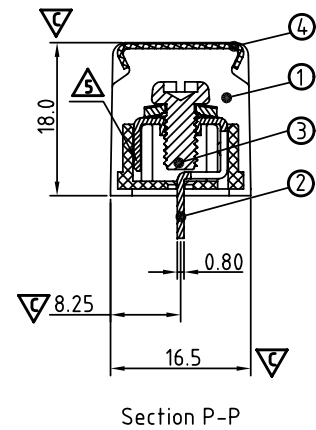
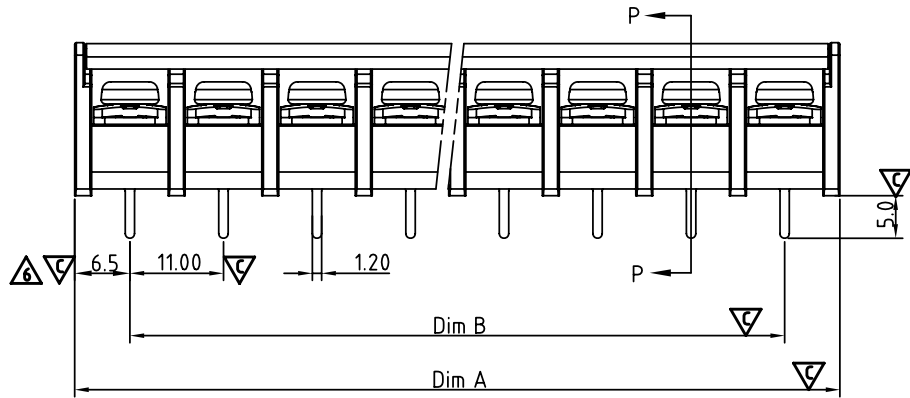
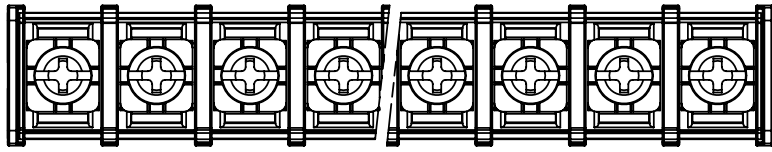


SIGN	DATE	DESCRIPTION	APPROVER
△	10/14'09	Terminal screw plated is changed from Ni plated to Zinc plated	Aaron
△	05/28'11	Add the P.C.B LAYOUT	Tason
△	05/28'11	Critical dimension is changed.	Tason
△	05/28'11	The tolerance table is changed.	Tason
△	01/04'12	The design is changed.	Chen Bo
△	01/04'12	The Dimension 6.5 are added	Chen Bo
△	12/11'12	Update the drawing	Jacky

*THIS IS CAD DRAWING, DO NOT REVISE MANUALLY!!!*



△  
 N = Number of poles  
 Dim A =  $N \times 11.0 + 2.0$   
 Dim B =  $(N - 1) \times 11.0$

Pol.	Tol.	Dim A & B
2-4p		$\pm 0.20$
5-11p		$\pm 0.30$
17-18p		$\pm 0.40$

MATERIALS ELECTRICAL  
 RATED VOLTAGE & CURRENT: 300 V, 30 A  
 WITHSTAND VOLTAGE: AC 2000 V/Min  
 INSULATION RESISTANCE: 1000 MΩ OR MORE AT DC 500 V  
 OPERATING TEMPERATURE RANG: -40 °C ~ +115 °C  
 SCREW TORQUE VALUE: 15 Kgf.cm  
 WIRE RANGE: 22 - 10AWG  
 1) BODY: THERMOPLASTICS, UL94-V0 BLACK  
 2) TERMINAL: BRASS, 0.8t, Tin PLATED  
 3) TERMINAL SCREWS WITH WASHER: STEEL, Zinc PLATED, M4.0 △  
 4) COVER: PC, TRANSPARENT

△ Critical dimension: ▽  
 APPROVAL:

YK 701xx 2 x x 00G  
 NO. OF POLES ————  
 02: 2 POLES  
 03: 3 POLES  
 04: 4 POLES  
 :  
 18: 18 POLES

——— G RoHS compliant (lead<4%) In copper Alloy  
 ——— MARK  
 0: "@ " MARK  
 1: "ANY " MARK  
 ——— TERMINAL & SCREW PLATED  
 0: TERMINAL & SCREW: G/F  
 △ 1: TERMINAL: G/F, SCREW: Zinc  
 2: TERMINAL: Sn, SCREW: G/F  
 △ 3: TERMINAL: Sn, SCREW: Zinc

<b>ANYTEK</b>				<b>CUSTOMER COPY</b>			
TITLE		YK701 With cover and W/o flange SERIES					
PART NO.		YK701xx2xx00G		DWG NO.		8YK0001-701	
APPROVED		CHECKED	DESIGNED	DRAWN	CUST NO.		Tolerance
				Jacky 2012.12.11			X. ±0.50 X.X ±0.30 X.XX ±0.10 X° ±1°
					SHEET: 01/01		REV.: E