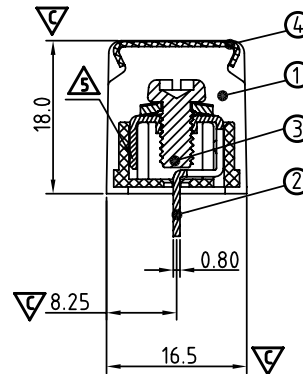


SIGN	DATE	DESCRIPTION	APPROVER
△	10/14'09	Terminal screw plated is changed from Ni plated to Zinc plated	Aaron
△	05/28'11	Add the P.C.B LAYOUT	Tason
△	05/28'11	Critical dimension is changed.	Tason
△	05/28'11	The tolerance table is changed.	Tason
△	01/04'12	The design is changed.	Chen Bo
△	01/04'12	The Dimension 6.5 are added	Chen Bo
△	12/11'12	Update the drawing	Jacky

THIS IS CAD DRAWING, DO NOT REVISE MANUALLY!!!



Section P-P



△ P.C.B LAYOUT(Top View)



N = Number of poles
 Dim A = $N \times 11.0 + 2.0$
 Dim B = $(N - 1) \times 11.0$

Pol.	Tol.	Dim A & B
2-4p		± 0.20
5-11p		± 0.30
17-18p		± 0.40

MATERIALS ELECTRICAL
 RATED VOLTAGE & CURRENT: 300 V, 30 A
 WITHSTAND VOLTAGE: AC 2000 V/Min
 INSULATION RESISTANCE: 1000 MΩ OR MORE AT DC 500 V
 OPERATING TEMPERATURE RANG: -40 °C ~ +115 °C
 SCREW TORQUE VALUE: 15 Kgf.cm
 WIRE RANGE: 22 - 10AWG
 1) BODY: THERMOPLASTICS, UL94-V0 BLACK
 2) TERMINAL: BRASS, 0.8t, Tin PLATED
 3) TERMINAL SCREWS WITH WASHER: STEEL, Zinc PLATED, M4.0 △
 4) COVER: PC, TRANSPARENT

△ Critical dimension: △
 APPROVAL:

YK 701xx 2 x x 00G
 NO. OF POLES ————
 02: 2 POLES
 03: 3 POLES
 04: 4 POLES
 :
 18: 18 POLES

——— G RoHS compliant (lead<4%) In copper Alloy
 ——— MARK
 0: "@ " MARK
 1: "ANY " MARK
 ——— TERMINAL & SCREW PLATED
 0: TERMINAL & SCREW: G/F
 △ 1: TERMINAL: G/F, SCREW: Zinc
 2: TERMINAL: Sn, SCREW: G/F
 △ 3: TERMINAL: Sn, SCREW: Zinc

ANYTEK

CUSTOMER COPY

ALL RIGHTS RESERVED. REPRODUCTION OR ISSUE TO THIRD PARTIES IN ANY FORM WHATSOEVER IS NOT PERMITTED WITHOUT WRITTEN AUTHORITY FROM THE PROPRIETOR. PROPERTY OF ANYTEK TECHNOLOGY CO., LTD

TITLE				YK701 With cover and W/o flange SERIES			
PART NO.		YK701xx2xx00G		DWG NO.		8YK0001-701	
APPROVED	CHECKED	DESIGNED	DRAWN	CUST NO.		Tolerance	
			Jacky 2012.12.11			UNIT: mm	X. ±0.50
						SCALE: NONE	X.X ±0.30
SHEET: 01/01				REV.: E		X.XX ±0.10	X° ±1°