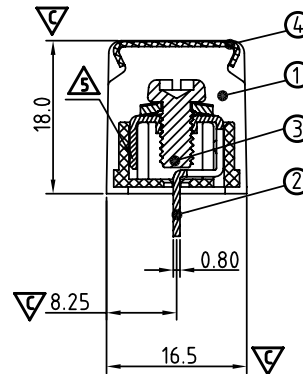


| SIGN | DATE     | DESCRIPTION  | APPROVER |
|------|----------|--|----------|
| △    | 10/14'09 | Terminal screw plated is changed from Ni plated to Zinc plated | Aaron    |
| △    | 05/28'11 | Add the P.C.B LAYOUT   | Tason    |
| △    | 05/28'11 | Critical dimension is changed.                                 | Tason    |
| △    | 05/28'11 | The tolerance table is changed.                                | Tason    |
| △    | 01/04'12 | The design is changed.   | Chen Bo  |
| △    | 01/04'12 | The Dimension 6.5 are added                                    | Chen Bo  |
| △    | 12/11'12 | Update the drawing   | Jacky    |

*THIS IS CAD DRAWING, DO NOT REVISE MANUALLY!!!*



Section P-P



△ P.C.B LAYOUT(Top View)



N = Number of poles  
 Dim A =  $N \times 11.0 + 2.0$   
 Dim B =  $(N - 1) \times 11.0$

| Pol.   | Tol. | Dim A & B  |
|--------|------|------------|
| 2-4p   |      | $\pm 0.20$ |
| 5-11p  |      | $\pm 0.30$ |
| 17-18p |      | $\pm 0.40$ |

MATERIALS ELECTRICAL  
 RATED VOLTAGE & CURRENT: 300 V, 30 A  
 WITHSTAND VOLTAGE: AC 2000 V/Min  
 INSULATION RESISTANCE: 1000 M $\Omega$  OR MORE AT DC 500 V  
 OPERATING TEMPERATURE RANG: -40 °C ~ +115 °C  
 SCREW TORQUE VALUE: 15 Kgf.cm  
 WIRE RANGE: 22 - 10AWG  
 1) BODY: THERMOPLASTICS, UL94-V0 BLACK  
 2) TERMINAL: BRASS, 0.8t, Tin PLATED  
 3) TERMINAL SCREWS WITH WASHER: STEEL, Zinc PLATED, M4.0  
 4) COVER: PC, TRANSPARENT

△ Critical dimension:  
 APPROVAL:

YK 701 xx 2 x x 00G  
 NO. OF POLES: 02: 2 POLES, 03: 3 POLES, 04: 4 POLES, ..., 18: 18 POLES  
 MARK: 0: "@", 1: "ANY"  
 G RoHS compliant (lead<4%) In copper Alloy  
 TERMINAL & SCREW PLATED: 0: G/F, 1: G/F, 2: Sn, 3: Sn  
 △ 1: TERMINAL: G/F, SCREW: Zinc  
 △ 2: TERMINAL: Sn, SCREW: G/F  
 △ 3: TERMINAL: Sn, SCREW: Zinc

**ANYTEK**

**CUSTOMER COPY**

ALL RIGHTS RESERVED. REPRODUCTION OR ISSUE TO THIRD PARTIES IN ANY FORM WHATSOEVER IS NOT PERMITTED WITHOUT WRITTEN AUTHORITY FROM THE PROPRIETOR. PROPERTY OF ANYTEK TECHNOLOGY CO., LTD

| TITLE        |         |               |                     | YK701 With cover and W/o flange SERIES |  |             |           |
|--------------|---------|---------------|---------------------|--|--|-------------|-----------|
| PART NO.     |         | YK701xx2xx00G |                     | DWG NO.                                |  | 8YK0001-701 |           |
| APPROVED     | CHECKED | DESIGNED      | DRAWN               | CUST NO.                               |  | Tolerance   |           |
|              |         |               | Jacky<br>2012.12.11 |  |  | UNIT: mm    | X. ±0.50  |
|              |         |               |                     |  |  | SCALE: NONE | X.X ±0.30 |
| SHEET: 01/01 |         |               |                     | REV.: E                                |  | X.XX ±0.10  | X° ±1°    |