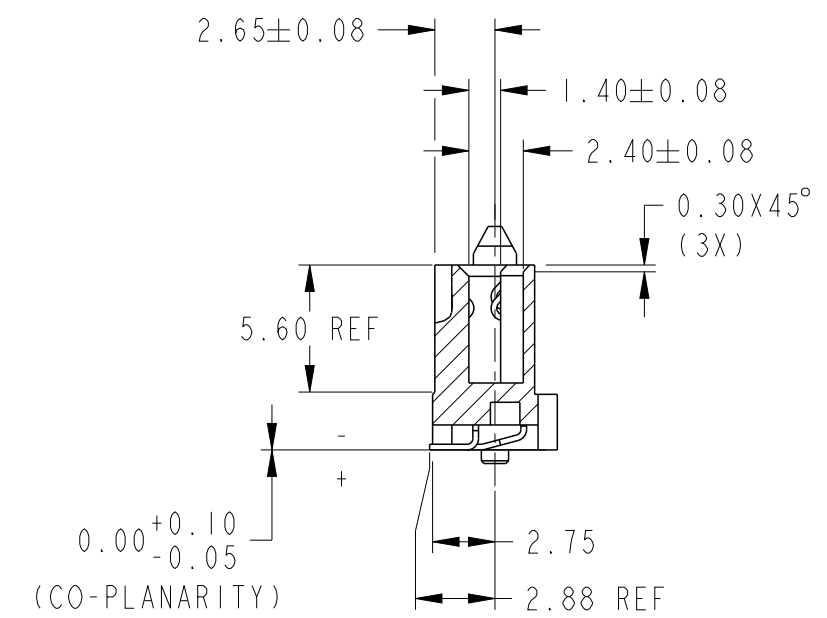
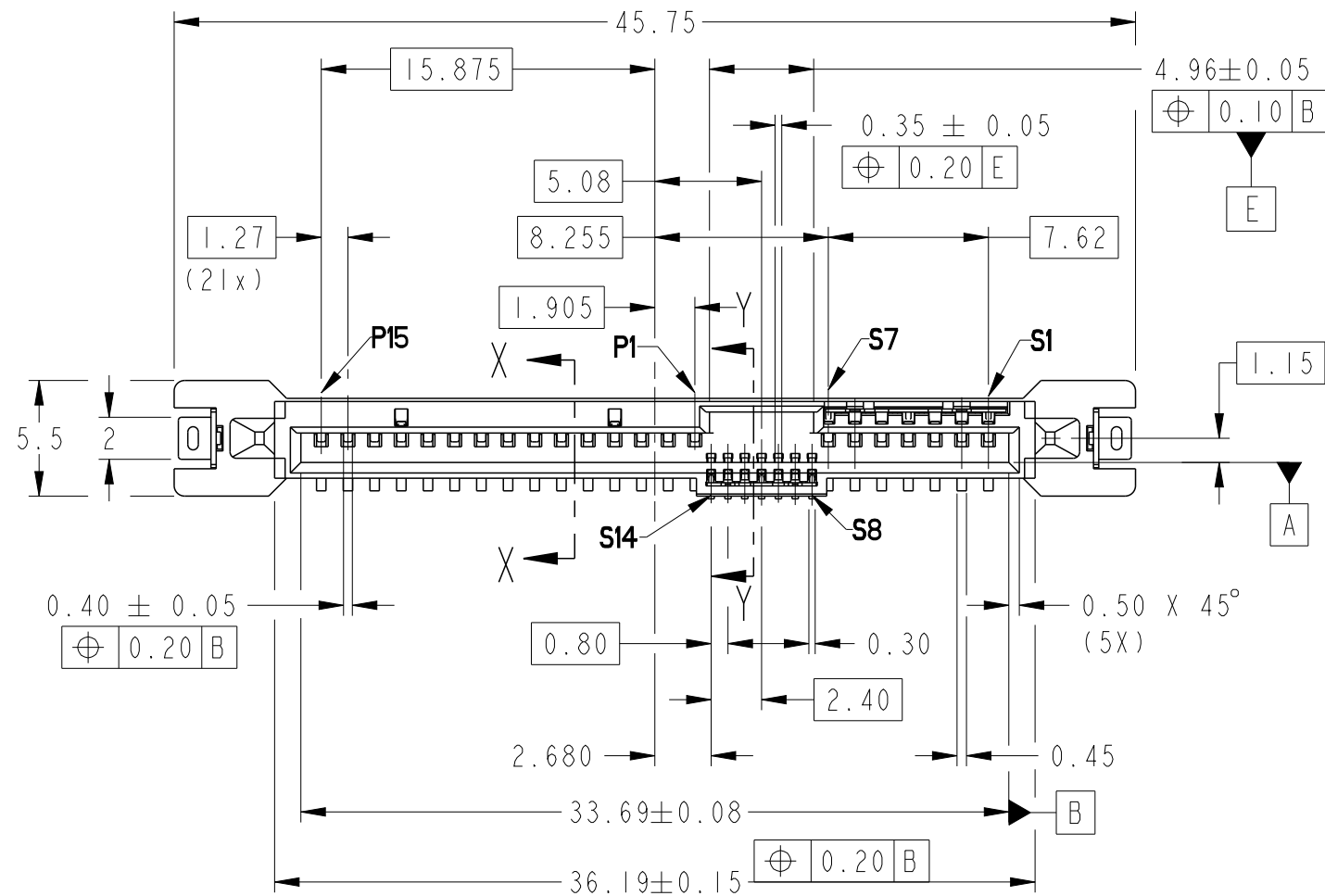
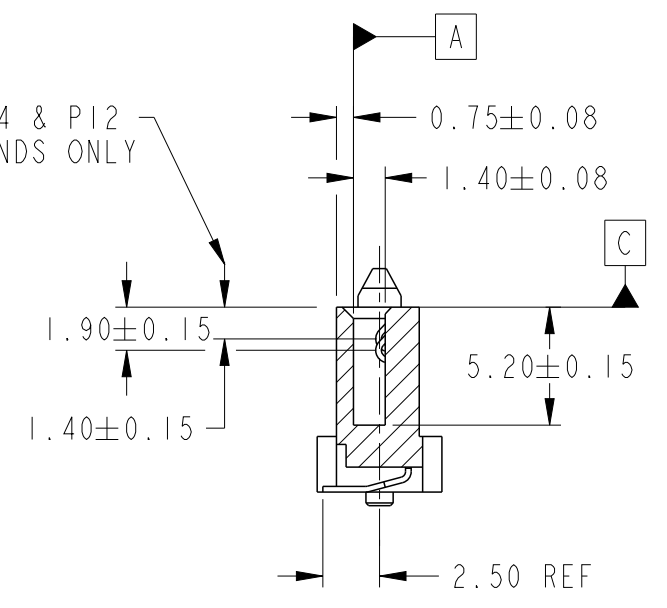
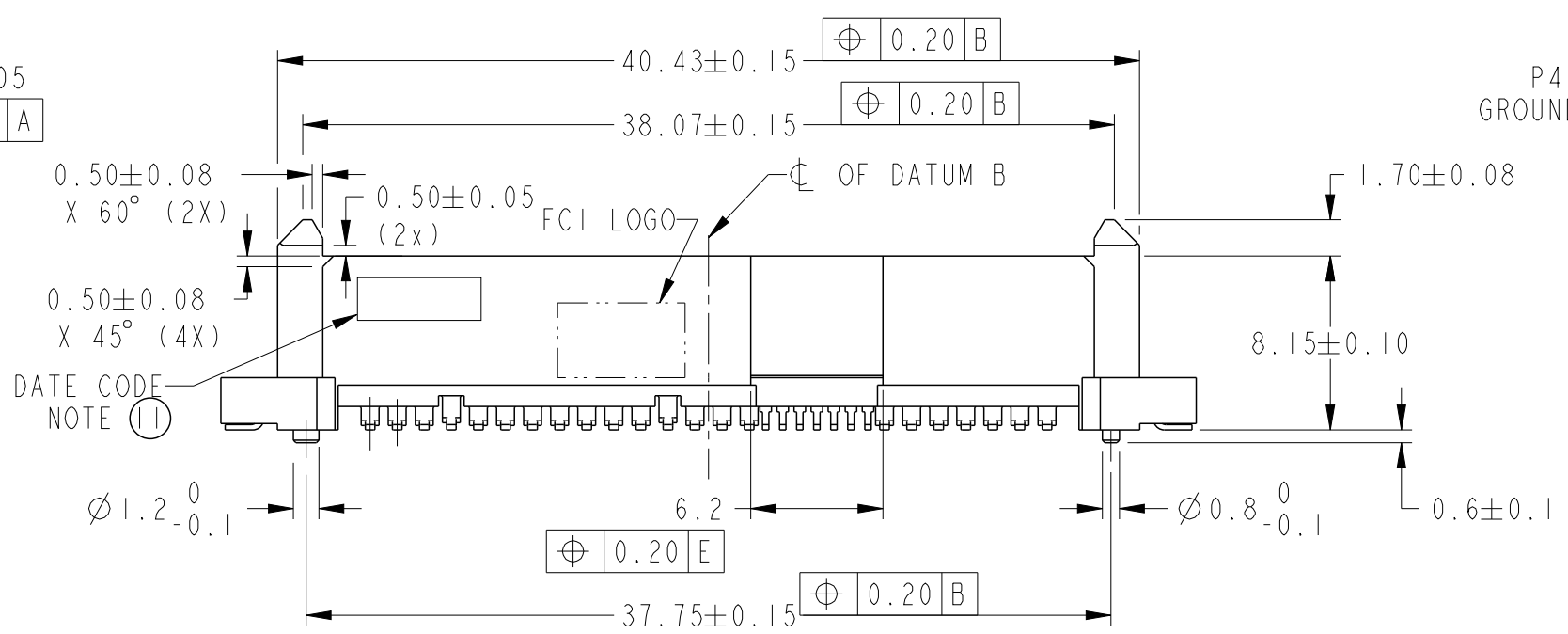
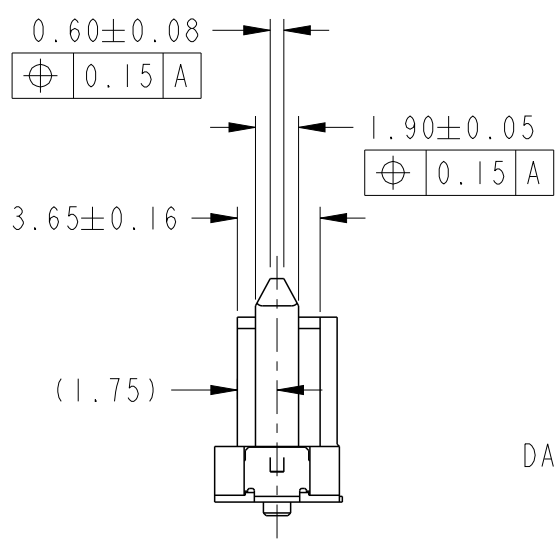


PRODUCT NO
SEE TABLE



SECTION Y-Y

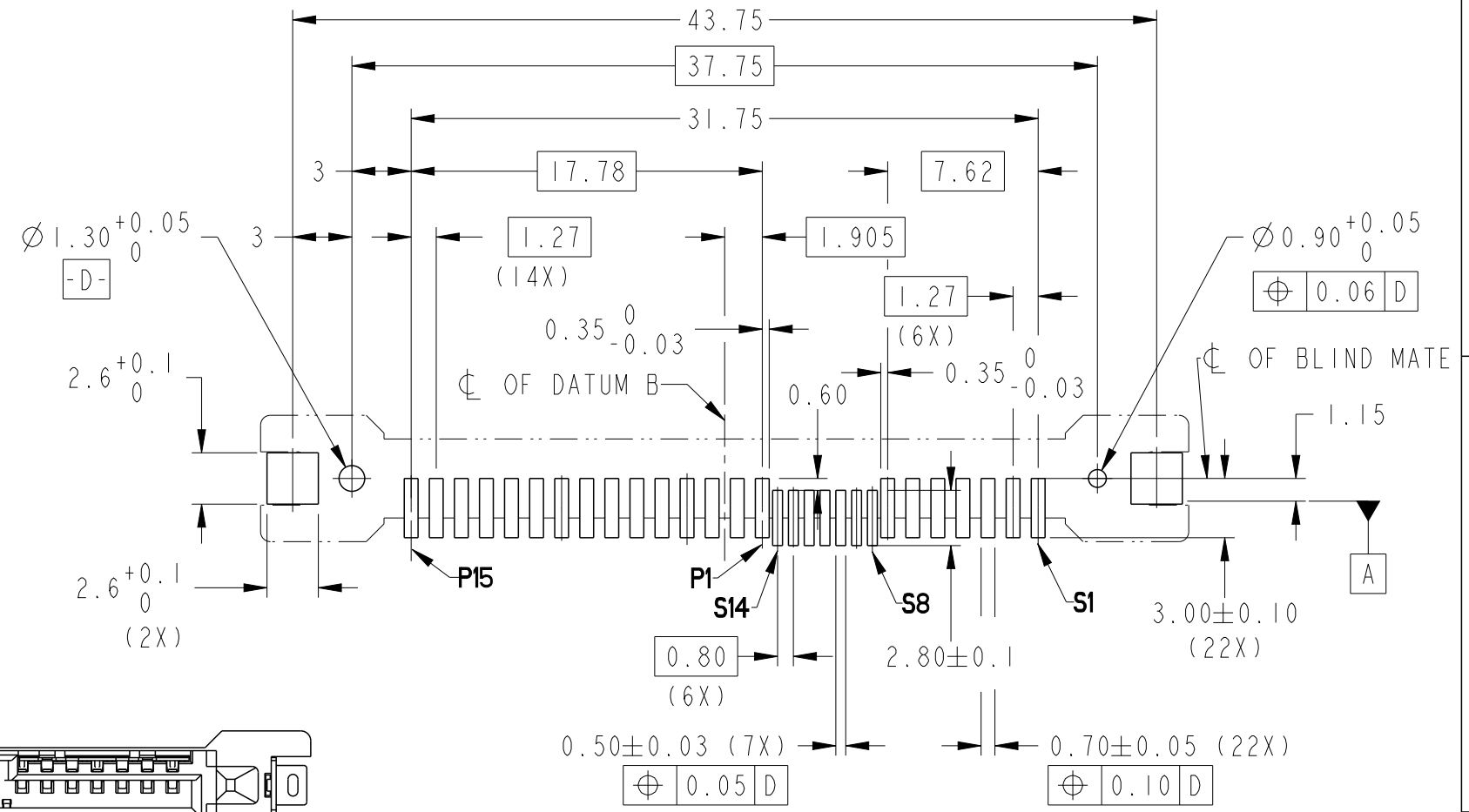


SECTION X-X

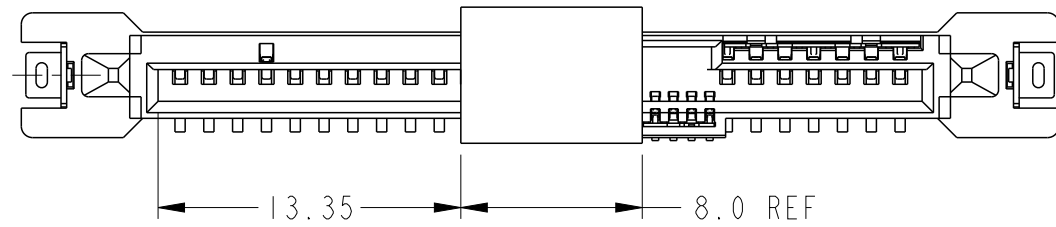
Copyright FCI.

spec ref -		dr Vajith P-N	2014/02/21	projection	MM	size A3	scale 3:1
tolerance std ISO 406 ISO 1101		eng Guat-Lian Loo	2015/03/24	product family	SAS	ecn no -	rel level Released
TOLERANCES UNLESS OTHERWISE SPECIFIED		chr -	2015/03/24				
surface ✓	linear	0.X ± -		www.fci.com		12G SAS RECEPTACLE	dwg no 10122998
		0.XX ± .20		cat. no. -		Product - Customer Drw	
	angular	0° ± 2°		PDS: Rev :A		STATUS:Released	rev A
ISO 1302		www.fci.com		Product - Customer Drw		sheet 1 of 3	

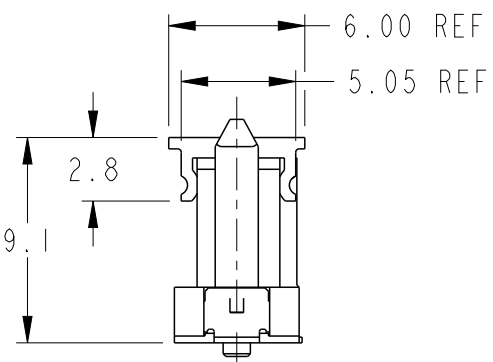
PRODUCT NO	PICK-UP CAP	PACKAGING	REMARK
10122998-001LF	NO	TRAY	--
10122998-001CLF	YES	TRAY	--
10122998-001C-TRLF	YES	TAPE & REEL	--



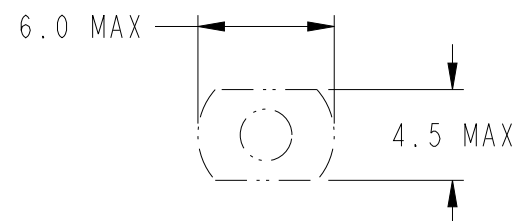
RECOMMENDED PCB LAYOUT
SCALE 3:1



PART WITH PICK-UP CAP, SEE NOTE ④
SCALE 3:1



RECOMMENDED SUCTION HEAD SIZE




spec ref	-	dr	Vajith P-N	2014/02/21	projection	MM	size	A3	scale	3:1
tolerance std	ISO 406 ISO 1101	eng	Guat-Lian Loo	2015/03/24			ecn no	-	rel level	Released
TOLERANCES UNLESS OTHERWISE SPECIFIED		chr	-	2015/03/24						
surface	ISO 1302	appr	Chen-Hong Tan	2015/03/24			dwg no	10122998	rev	A
	linear	0.X	±-				Product - Customer Drw		sheet 2 of 3	
	angular	0°	±2°				Product - Customer Drw		sheet 2 of 3	

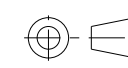



Copyright FCI.

PRODUCT NO
SEE TABLE

NOTES:

1. MATERIAL:
 - 1) HOUSING: HIGH TEMP TERMOPLASTIC, UL 94V-0
COLOR : BLACK
 - 2) TERMINAL: COPPER ALLOY
 - 3) HOLD DOWN: COPPER ALLOY
2. FINISH:
 - 1) TERMINAL: 30μ" Au PLATING (CONTACT POINT)
OVER 50μ" NICKEL
 - 2) SOLDER TAIL: 50μ" MIN Sn OVER 50μ" NICKEL
 - 3) HOLD DOWN: 50μ" MIN Sn OVER 50μ" NICKEL
3. PER SFF REV 1.5 EXCEPT 0.8mm PITCH BUMP AREA
- ④ PART WITH PICK-UP CAP, P/N XXXXXXXX-XXXCLF
5. THE STD PACKAGING IS IN TRAY
6. FOR TAPE & REEL PACKAGING, SUFFIX "-TR" ADDED AFTER PART NUMBER (E.G. XXXXXXXX-XXXC-TRLF)
7. THE HOUSING WILL WITHSTAND EXPOSURE TO 260°C PEAK TEMPERATURE FOR 10 SECONDS IN A CONVECTION, INFRA-RED OR VAPOR PHASE REFLOW OVEN.
- ⑧ THIS PRODUCT MEETS EUROPEAN UNION DIRECTIVES AND OTHER COUNTRY REGULATIONS AS DESCRIBED IN GS-47-0004.
- ⑨ PART NUMBERS ENDING IN "LF" MEANS FOR NOTE 8 LEAD FREE IDENTIFICATION
10. MATES WITH SFF8482/8680 PLUG, SATA PLUG.
- ⑪ DATE CODE LOCATION. DATE CODE NO. YYWWD (E.G. 14225).
12. CORING AT NON FUNCTIONAL AREAS ARE SUBJECT TO CHANGE WITHOUT NOTICES.
13. A  SYMBOL WILL BE NEXT TO ANY DIMENSION, VIEW, OR NOTE WHICH HAS BEEN MODIFIED WITH THE CURRENT DRAWING REVISION.

spec ref -		dr	Vajith P-N	2014/02/21	projection	MM	size	A3	scale	3:1
tolerance std		eng	Guat-Lian Loo	2015/03/24		← →	ecn no		-	
ISO 406 ISO 1101		chr	-	-			rel level		Released	
surface 		appr	Chen-Hong Tan	2015/03/24	product family		SAS	rev		A
ISO 1302		www.fci.com		12G SAS RECEPTACLE VERTICAL SMT TYPE ASSY		dwg no		10122998		Product - Customer Drw
linear	0.X ± -	cat. no.		-		sheet 3 of 3				
	0.XX ±.20									
	0.XXX ± -									
angular	0° ±2°									



Copyright FCI.