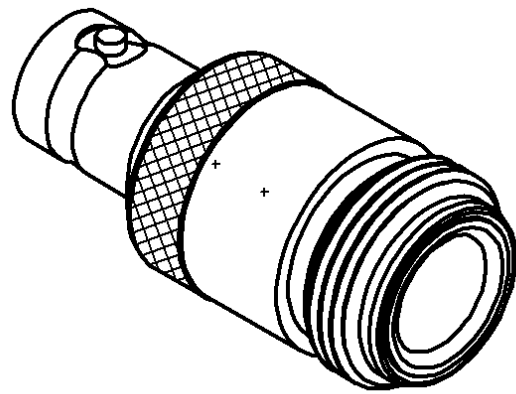
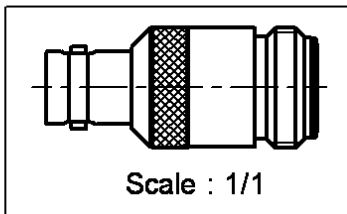
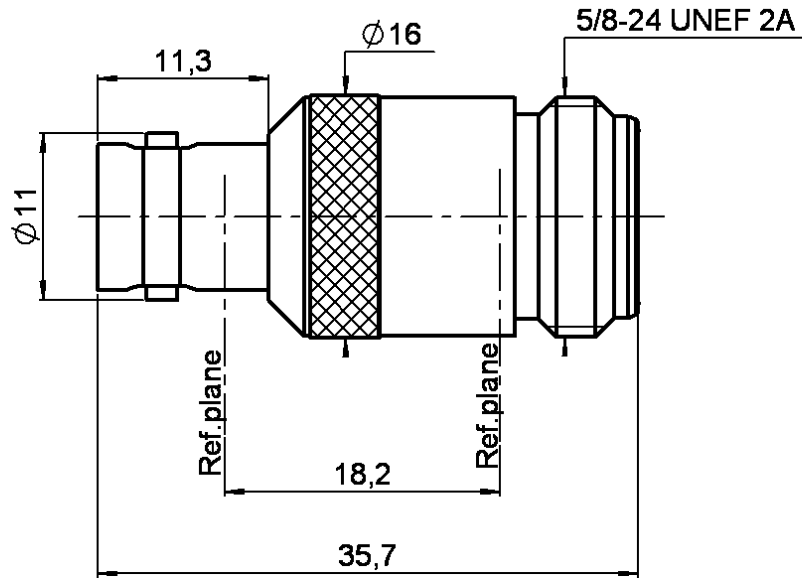


**BNC FEMALE - N FEMALE ADAPTER**

**R192.418.000**

Série : -



All dimensions are in mm.



COMPONENTS	MATERIALS	PLATINGS ( $\mu\text{m}$ )
BODY	BRASS	NICKEL 2
CENTER CONTACT	BERYLLIUM COPPER	GOLD 0.5 OVER NICKEL 2
OUTER CONTACT	BRASS	NICKEL 2
INSULATOR	PTFE	
GASKET	-	
OTHERS PARTS	-	
-	-	
-	-	

Issue : 0204 C

In the effort to improve our products, we reserve the rights to make changes judged to be necessary.



**BNC FEMALE - N FEMALE ADAPTER**

**R192.418.000**

Série : -

**PACKAGING**

**SPECIFICATION**

Standard	Unit	Other
	<b>'W' option</b>	<b>Contact us</b>

**ELECTRICAL CHARACTERISTICS**

**ENVIRONMENTAL**

Impedance		<b>75</b> Ω
Frequency		<b>0-1</b> GHz
VSWR	- +	<b>0.000</b> x F(GHz) Maxi
Insertion loss		- √F(GHz) dB Maxi
RF leakage	- (	<b>NA</b> - F(GHz)) dB Maxi
Voltage rating		<b>500</b> Veff Maxi
Dielectric withstanding voltage		<b>1500</b> Veff mini
Insulation resistance		<b>5000</b> MΩ mini

Operating		<b>-55/+155</b> ° C
Hermetic seal		<b>NA</b> Atm.cm3/s
Panel leakage		<b>NA</b>

**MECHANICAL CHARACTERISTICS**

**OTHERS CHARACTERISTICS**

Center contact retention		
Axial force – Mating end		<b>27</b> N mini
Axial force – Opposite end		<b>27</b> N mini
Torque		<b>NA</b> N.cm mini
Recommended torque		
Mating	<b>BNC</b>	<b>0</b> N.cm
	<b>N</b>	<b>0</b> N.cm
	<b>-</b>	<b>0</b> N.cm
Panel nut		<b>NA</b> N.cm
Mating life		<b>500</b> Cycles mini
Weight		<b>0.000</b> g

Issue : 0204 C

In the effort to improve our products, we reserve the rights to make changes judged to be necessary.



**RADIALL**®