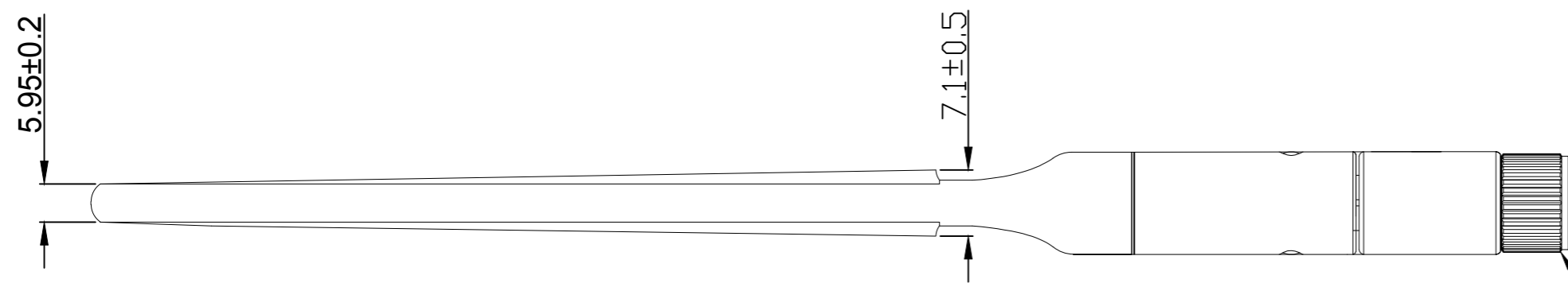
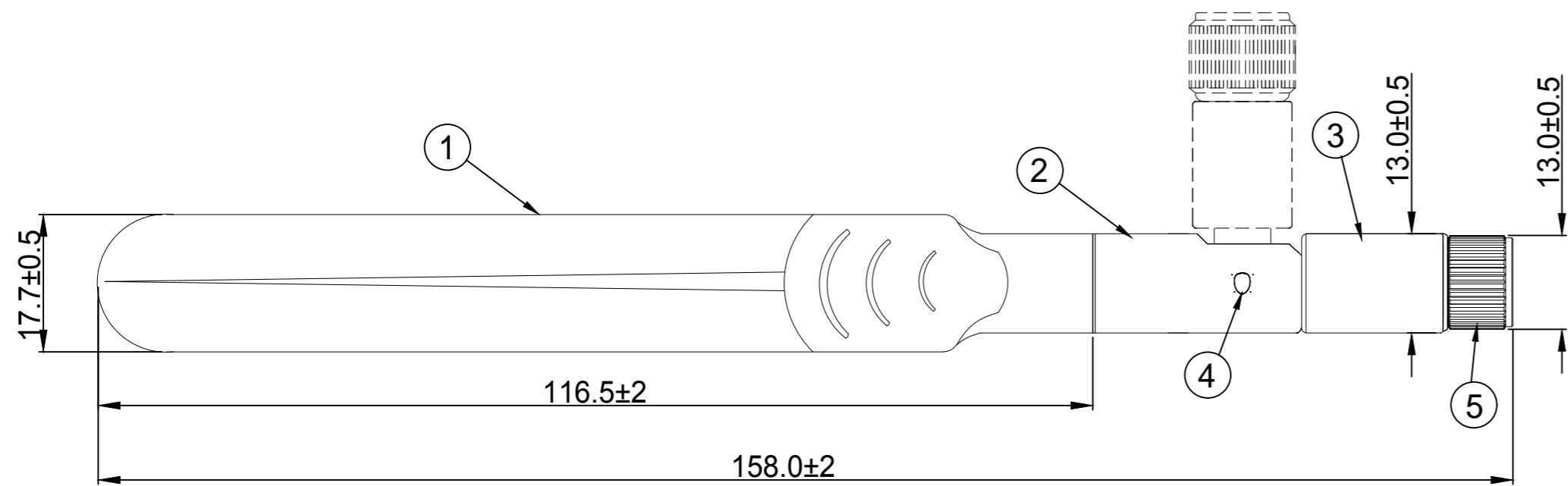


REVISIONS				
P	LTR	DESCRIPTION	DATE	APVD
A		TURN TO Rev.A	27MAY2019	PH AC



SMA Male
SMA公頭公針

RoHS

NOTES:

1. Specification:
 - 1.1 Frequency Range: 698~960MHz
1420~1610MHz
1710~2700MHz
1575~1605MHz
 - 1.2 VSWR: 2.5MAX
 - 1.3 Peak Gain: 2.5dBi
 - 1.4 Impedance: 50 Ω

2. PRODUCT AND PROCESSING MUST MEET REQUIREMENTS OF TEC-138-702.

NO.	ITEM	SPECIFICATION	QTY.
5	CONN	SMA PLUG and male needle electric	1
4	Rivet	Pom rivet (Black)	2
3	Buttom Base	Lower fixed seat Phi (Black)	1
2	Upper Base	On the fixed seat diameter (Black)	1
1	Antenna Cap	Antenna rod sleeve (Black)	1

THIS DRAWING IS A CONTROLLED DOCUMENT.		DWN ALLEN HU 06SEPI2018	TE TE Connectivity	
DIMENSIONS: mm		CHK AMOS CHEAH 06SEPI2018		
TOLERANCES UNLESS OTHERWISE SPECIFIED:		APVD AMOS CHEAH 06SEPI2018	NAME EXTERNAL PADDLE LTE ANTENNA	
0 PLC ± -	1 PLC ± 0.1	PRODUCT SPEC	SIZE A2	CAGE CODE 00779
2 PLC ± 0.05	3 PLC ± 0.02	APPLICATION SPEC	DRAWING NO C=2195736	RESTRICTED TO -
4 PLC ± -	ANGLES ± -	WEIGHT -	SCALE 1:1	SHEET 1 OF 1
MATERIAL -	FINISH -	CUSTOMER DRAWING	REV A	