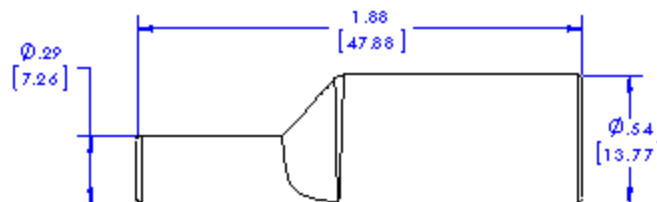
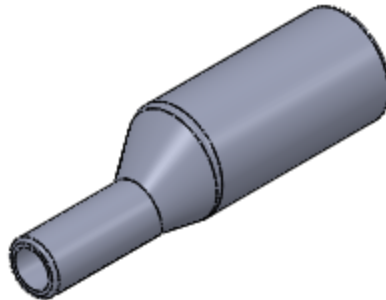


## **BU-62-@**

**(Insulator for BU-60 Series Alligator Clips)**



- The BU-62 is used to Insulate BU-60, BU-60C, BU-60S, BU-60CS, BU-60TBO, BU-60X and BU-61 Series clips from foreign objects.
- Material: Flexible PVC
- Dielectric Strength: 3KV at thinnest cross section.
- Operating temperature: -20°F (-30°C) to 160°F (71°C)
- Length = 1.9”(48mm), Large ID = .54”(13.7mm), Wire end ID = .29”(7.4mm)
- Color: “@” in part number is color. Available colors are:  
-0 Black, -2 Red, -4 Yellow, -5 Green, -6 Blue, -9 White
- RoHS Compliant