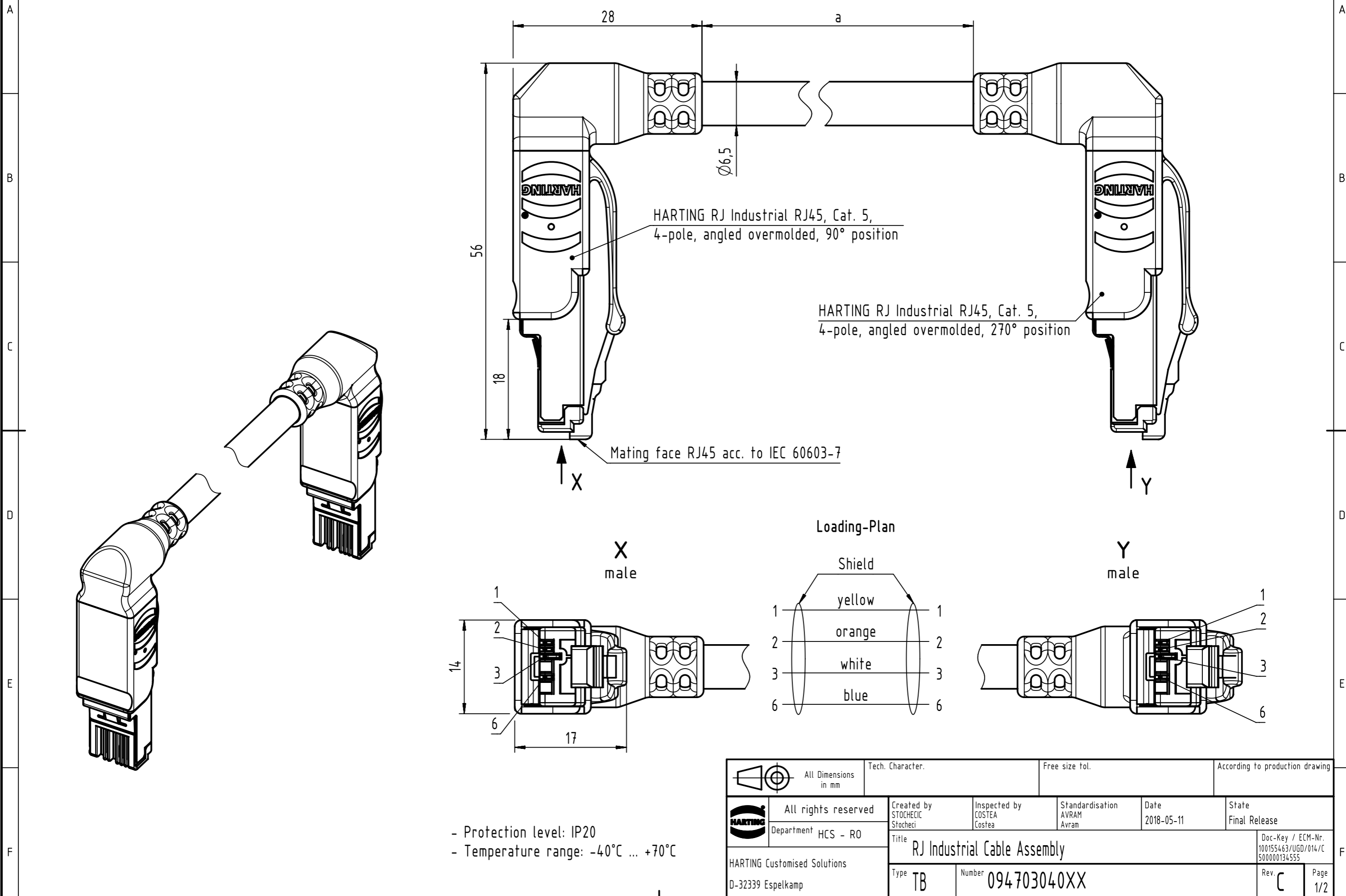


Connector Location A

Connector Location B



HARTING RJ Industrial RJ45, Cat. 5,  
4-pole, angled overmolded, 90° position

HARTING RJ Industrial RJ45, Cat. 5,  
4-pole, angled overmolded, 270° position

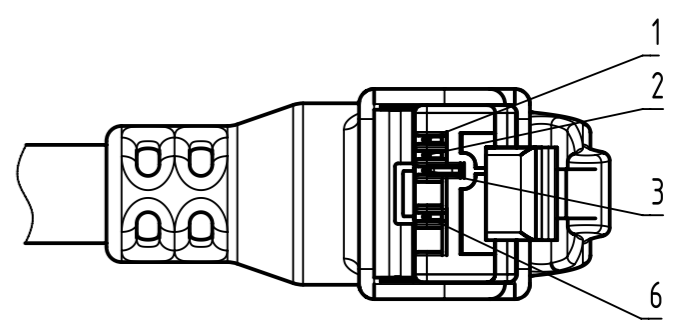
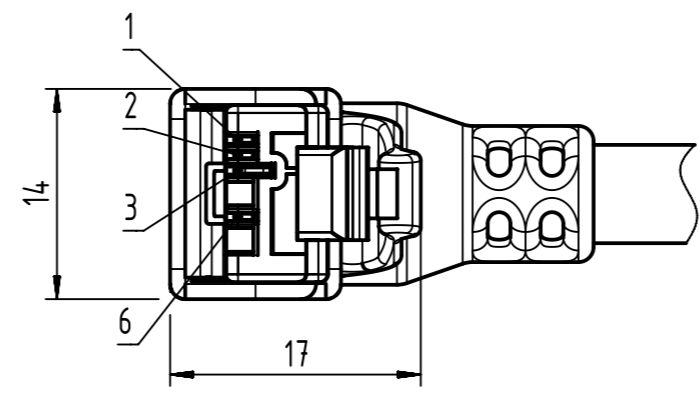
Mating face RJ45 acc. to IEC 60603-7

X  
male

Y  
male

Loading-Plan

Shield	
1	yellow
2	orange
3	white
6	blue




- Protection level: IP20
- Temperature range: -40°C ... +70°C

	All rights reserved	Created by STOCHECIC Stochei	Inspected by COSTEA Costea	Standardisation AVRAM Avram	Date 2018-05-11	State Final Release
	Department HCS - RO	Title RJ Industrial Cable Assembly			Doc-Key / ECM-Nr. 100155463/UGD/014/C 500000134555	
HARTING Customised Solutions D-32339 Espelkamp		Type TB	Number 094703040XX		Rev. C	Page 1/2

Cont. no.	Part no.	Type of cable	Dim. a[m]
44	09470304044	RJl Ethernet stranded cable, 4xAWG22/7, PVC, Cat. 5+, green	100
43	09470304043		90
42	09470304042		80
41	09470304041		70
40	09470304040		60
39	09470304039		50
38	09470304038		40
37	09470304037		30
36	09470304036		20
35	09470304035		15
34	09470304034		10
33	09470304033		9
32	09470304032		8
31	09470304031		7
30	09470304030		6
29	09470304029		5
28	09470304028		4
27	09470304027		3
26	09470304026		2
25	09470304025		1.5
24	09470304024		1
23	09470304023		0.5
22	09470304022		RJl Ethernet standard cable, AWG22/1, 2x2x0.64, PVC, Cat. 5+, green
21	09470304021	90	
20	09470304020	80	
19	09470304019	70	
18	09470304018	60	
17	09470304017	50	
16	09470304016	40	
15	09470304015	30	
14	09470304014	20	
13	09470304013	15	
12	09470304012	10	
11	09470304011	9	
10	09470304010	8	
9	09470304009	7	
8	09470304008	6	
7	09470304007	5	
6	09470304006	4	
5	09470304005	3	
4	09470304004	2	
3	09470304003	1.5	
2	09470304002	1	
1	09470304001	0.5	

Cont. no.	Part no.	Type of cable	Dim. a[m]
88	09470304088	RJl Ethernet stranded cable, AWG22/7, 2x2x0.75, outdoor, PVC, Cat. 5+, black	100
87	09470304087		90
86	09470304086		80
85	09470304085		70
84	09470304084		60
83	09470304083		50
82	09470304082		40
81	09470304081		30
80	09470304080		20
79	09470304079		15
78	09470304078		10
77	09470304077		9
76	09470304076		8
75	09470304075		7
74	09470304074		6
73	09470304073		5
72	09470304072		4
71	09470304071		3
70	09470304070		2
69	09470304069		1.5
68	09470304068		1
67	09470304067		0.5
66	09470304066		RJl Ethernet trailing cable, AWG22/7, 2x2x0.75, PUR, Cat. 5+, green
65	09470304065	90	
64	09470304064	80	
63	09470304063	70	
62	09470304062	60	
61	09470304061	50	
60	09470304060	40	
59	09470304059	30	
58	09470304058	20	
57	09470304057	15	
56	09470304056	10	
55	09470304055	9	
54	09470304054	8	
53	09470304053	7	
52	09470304052	6	
51	09470304051	5	
50	09470304050	4	
49	09470304049	3	
48	09470304048	2	
47	09470304047	1.5	
46	09470304046	1	
45	09470304045	0.5	

	All rights reserved Department HCS - RO	Created by STOCHECIC Stochezi	Inspected by COSTEA Costea	Standardisation AVRAM Avram	Date 2018-05-11	State Final Release	Doc-Key / ECM-Nr. 100155463/UGD/014/C 500000134555
HARTING Customised Solutions D-32339 Espelkamp		Title RJ Industrial Cable Assembly		Type TB	Number 094703040XX		Rev. C Page 2/2

# Mouser Electronics

Authorized Distributor

Click to View Pricing, Inventory, Delivery & Lifecycle Information:

## HARTING:

[09470304001](#) [09470304002](#) [09470304023](#) [09470304024](#) [09470304025](#) [09470304026](#) [09470304027](#)  
[09470304029](#) [09470304045](#) [09470304046](#) [09470304047](#) [09470304048](#) [09470304049](#) [09470304051](#) [09470304071](#)  
[09470304003](#) [09470304067](#) [09470304070](#) [09470304056](#)