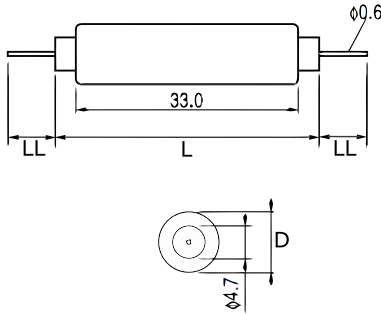


**KEMET Part Number: TRS5-80BCR01**  
(USEE80BCR01000)

KEMET, TRS, Thermal Reed Switch, Axial, 2.5C Temperature Accuracy, High Reliability, High-Speed Response, Long Operational Life, Excellent Environmental Durability, High Temperature Accuracy, 80°C, Break



Dimensions	
D	7mm NOM
L	40mm NOM
LL	8.5mm NOM

Packaging Specifications	
Packaging:	Tray, Box
Packaging Quantity:	600
Weight:	3.1 g

General Information	
Series:	TRS
Type:	Thermal Reed Switch
Style:	Axial
Description:	Thermal Reed Switch
Features:	High Reliability, High-Speed Response, Long Operational Life, Excellent Environmental Durability, High Temperature Accuracy
Lead:	Wire Leads
RoHS:	Yes

Specifications	
Switching Temperature:	80C +/-2.5C
Temperature Range:	-20/+130°C
Contact Type:	Break
Voltage DC:	200 VDC MAX (Opening/Closing), 1500 VAC/1 minute or 1800 VAC/1 second
Voltage AC:	140 VAC MAX (Opening/Closing)
Current:	0.55 Amps AC/DC MAX (Opening/Closing), 1 mAmps MIN (5VDC, Opening/Closing)
Resistance:	150 mOhms MAX (Contact Resistance)
Max Opening/Closing Power:	60.5 W (AC/DC); 10 W (DC)
Max Opening/Closing Voltage:	140 V (AC); 200 V (DC)
Differential Temperature:	10C Maximum