

N=Number of poles

| | |
|-------|-----------------------|
| Dim.A | $(N-1) \times 10.0$ |
| Dim.B | $N \times 10.0 + 2.0$ |

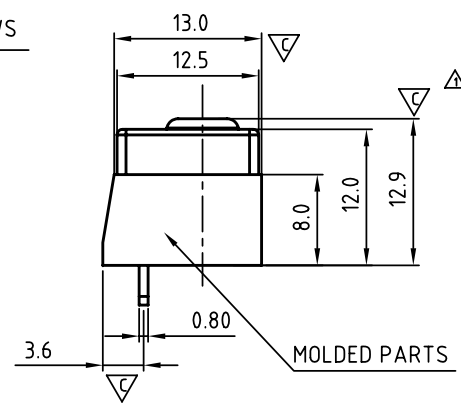
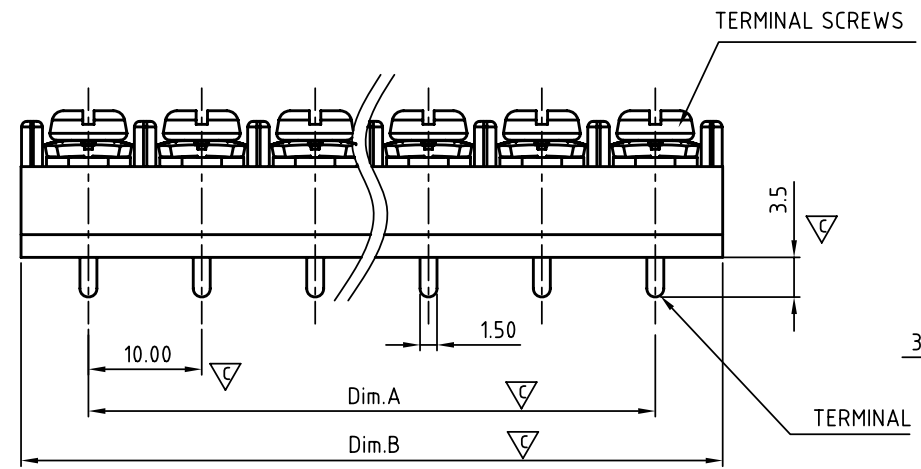
A&B Tolerance Δ

| Poles | Dim.A | Dim.B |
|---------|------------|------------|
| 2p-9p | ± 0.30 | ± 0.30 |
| 10p-20p | ± 0.40 | ± 0.40 |
| 21p-32p | ± 0.50 | ± 0.50 |

| SIGN | DATE | DESCRIPTION | APPROVER |
|----------|----------|--|----------|
| Δ | 5/20'09 | Add approval "CULUS" | Eris |
| Δ | 10/08'09 | Tolerance is changed | Eris |
| Δ | 11/13'12 | Change the screw plating specification | Guoxue |

THIS IS CAD DRAWING, DO NOT REVISE MANUALLY!!!

MATERIALS ELECTRICAL
 RATED VOLTAGE & CURRENT: 300 V, 20 A
 WITHSTAND VOLTAGE: AC 2000 V/Min
 INSULATION RESISTANCE: 1000 M Ω OR MORE AT DC 500 V
 OPERATING TEMPERATURE RANG: -40 °C ~ +115 °C
 SCREW TORQUE VALUE: 12Lb-In.
 WIRE RANGE: 22 - 12 AWG
 1) MOLDED PARTS: THERMOPLASTIC, UL 94 V-0 BLACK
 2) TERMINAL: BRASS, 0.8t, Tin PLATED
 3) TERMINAL SCREWS: STEEL, M3.5



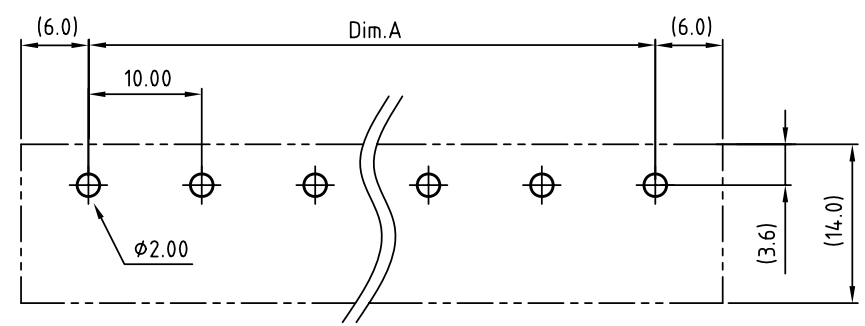
APPROVAL:
 Critical dimension: ∇

YK 61A xx 0 x x 00G
 NO. OF POLES
 02: 2 POLES
 03: 3 POLES
 04: 4 POLES
 ...
 32: 32 POLES

G RoHS compliant (lead<4%) In copper Alloy

MARK
 0: "@" MARK
 1: "ANY" MARK
 3: NO MARK

TERMINAL & SCREW PLATED
 0: TERMINAL & SCREW: G/F
 Δ 1: TERMINAL: G/F, SCREW: ZINC
 2: TERMINAL: Sn, SCREW: G/F
 Δ 3: TERMINAL: Sn, SCREW: ZINC



P.C.B LAYOUT
 BOTTOM VIEW

| | | | | | | | |
|---|--|--------------------------|----------------------|------------------------|----------|-------------|--|
| ANYTEK | | | | INSPECTION COPY | | | |
| ALL RIGHTS RESERVED. REPRODUCTION OR ISSUE TO THIRD PARTIES IN ANY FORM WHATSOEVER IS NOT PERMITTED WITHOUT WRITTEN AUTHORITY FROM THE PROPRIETOR. PROPERTY OF ANYTEK TECHNOLOGY CO., LTD | | | | | | | |
| TITLE | | YK-61A W/O Flange Series | | | | | |
| PART NO. | | YK61Axx0xx00G | | DWG NO. | | 8YK0001-61A | |
| APPROVED | | CHECKED | DESIGNED | DRAWN | CUST NO. | | Tolerance |
| | | | Guoxue 2012.12.01 | Guoxue 2012.12.01 | | | X. ± 0.50 X.X ± 0.30 X.XX ± 0.10 X° $\pm 1^\circ$ |
| | | | | SHEET: 01/01 | | REV.: D | |