

N=Number of poles

Dim.A	$(N-1) \times 10.0$
Dim.B	$N \times 10.0 + 2.0$

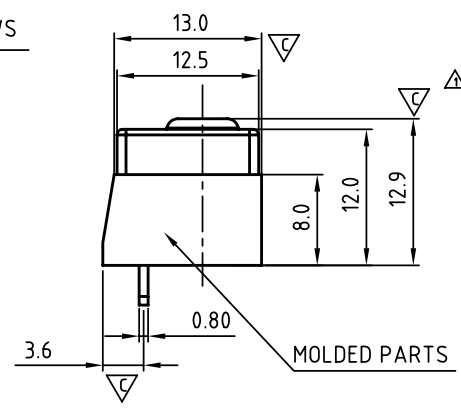
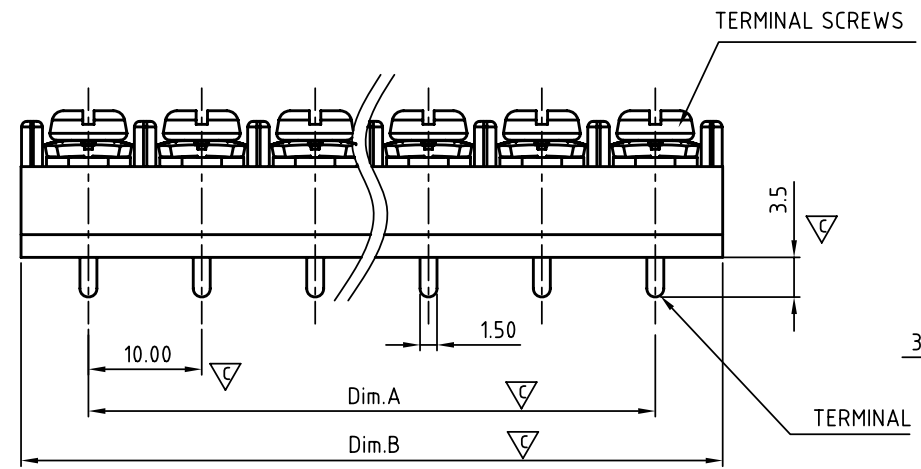
A&B Tolerance  $\Delta$

Poles	Dim.A	Dim.B
2p-9p	$\pm 0.30$	$\pm 0.30$
10p-20p	$\pm 0.40$	$\pm 0.40$
21p-32p	$\pm 0.50$	$\pm 0.50$

SIGN	DATE	DESCRIPTION	APPROVER
$\Delta$	5/20'09	Add approval "CULUS"	Eris
$\Delta$	10/08'09	Tolerance is changed	Eris
$\Delta$	11/13'12	Change the screw plating specification	Guoxue

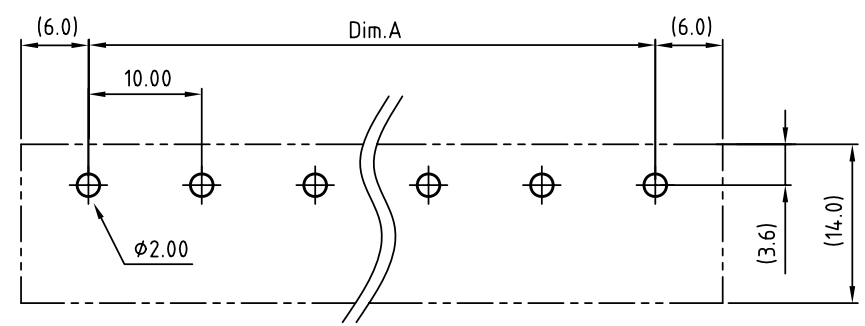
**THIS IS CAD DRAWING, DO NOT REVISE MANUALLY!!!**

MATERIALS ELECTRICAL  
 RATED VOLTAGE & CURRENT: 300 V, 20 A  
 WITHSTAND VOLTAGE: AC 2000 V/Min  
 INSULATION RESISTANCE: 1000 M $\Omega$  OR MORE AT DC 500 V  
 OPERATING TEMPERATURE RANG: -40 °C ~ +115 °C  
 SCREW TORQUE VALUE: 12Lb-In.  
 WIRE RANGE: 22 - 12 AWG  
 1) MOLDED PARTS: THERMOPLASTIC, UL 94 V-0 BLACK  
 2) TERMINAL: BRASS, 0.8t, Tin PLATED  
 3) TERMINAL SCREWS: STEEL, M3.5



APPROVAL:  $\Delta$   
 Critical dimension:  $\nabla$

YK 61A xx 0 x x 00G  
 NO. OF POLES: 02: 2 POLES, 03: 3 POLES, 04: 4 POLES, ..., 32: 32 POLES  
 MARK: 0: "@", 1: "ANY", 3: NO MARK  
 G RoHS compliant (lead<4%) In copper Alloy  
 TERMINAL & SCREW PLATED: 0: TERMINAL & SCREW: G/F, 1: TERMINAL: G/F, SCREW: ZINC, 2: TERMINAL: Sn, SCREW: G/F, 3: TERMINAL: Sn, SCREW: ZINC



P.C.B LAYOUT  
 BOTTOM VIEW

<b>ANYTEK</b>				<b>INSPECTION COPY</b>			
ALL RIGHTS RESERVED. REPRODUCTION OR ISSUE TO THIRD PARTIES IN ANY FORM WHATSOEVER IS NOT PERMITTED WITHOUT WRITTEN AUTHORITY FROM THE PROPRIETOR. PROPERTY OF ANYTEK TECHNOLOGY CO., LTD							
TITLE		YK-61A W/O Flange Series					
PART NO.		YK61Axx0xx00G		DWG NO.		8YK0001-61A	
APPROVED		CHECKED	DESIGNED	DRAWN	CUST NO.		Tolerance
			Guoxue 2012.12.01	Guoxue 2012.12.01			X. $\pm 0.50$ X.X $\pm 0.30$ X.XX $\pm 0.10$ X° $\pm 1^\circ$
				SHEET: 01/01		UNIT: mm SCALE: NONE REV.: D	