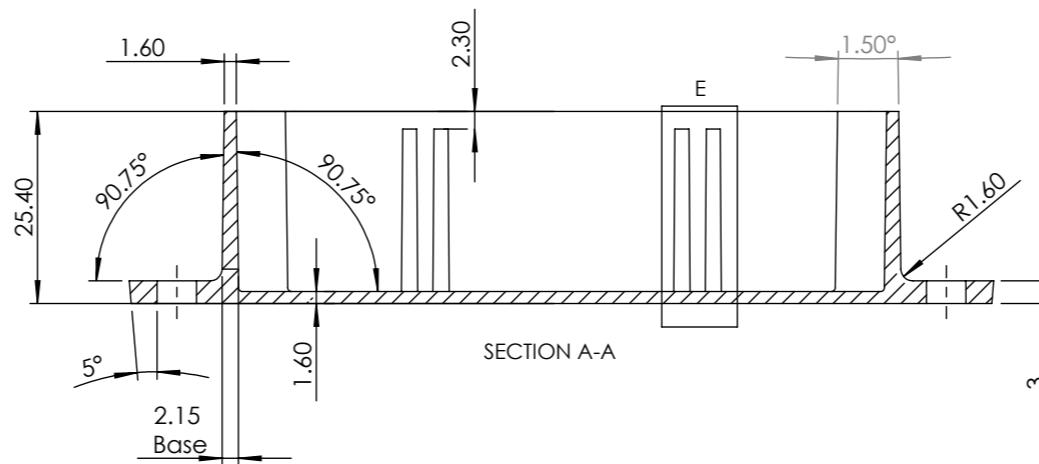
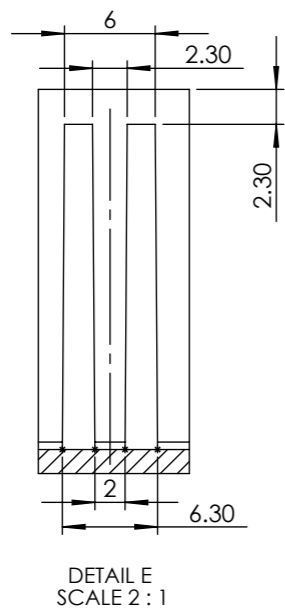
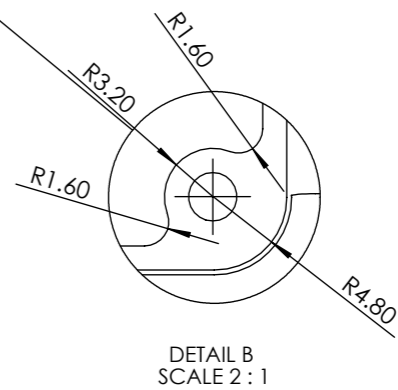
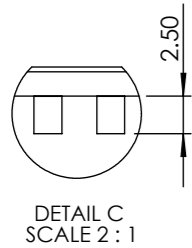
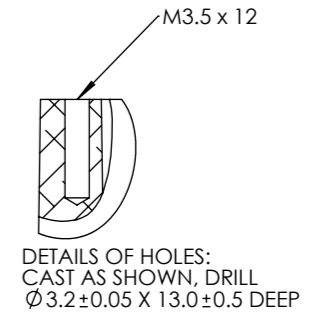
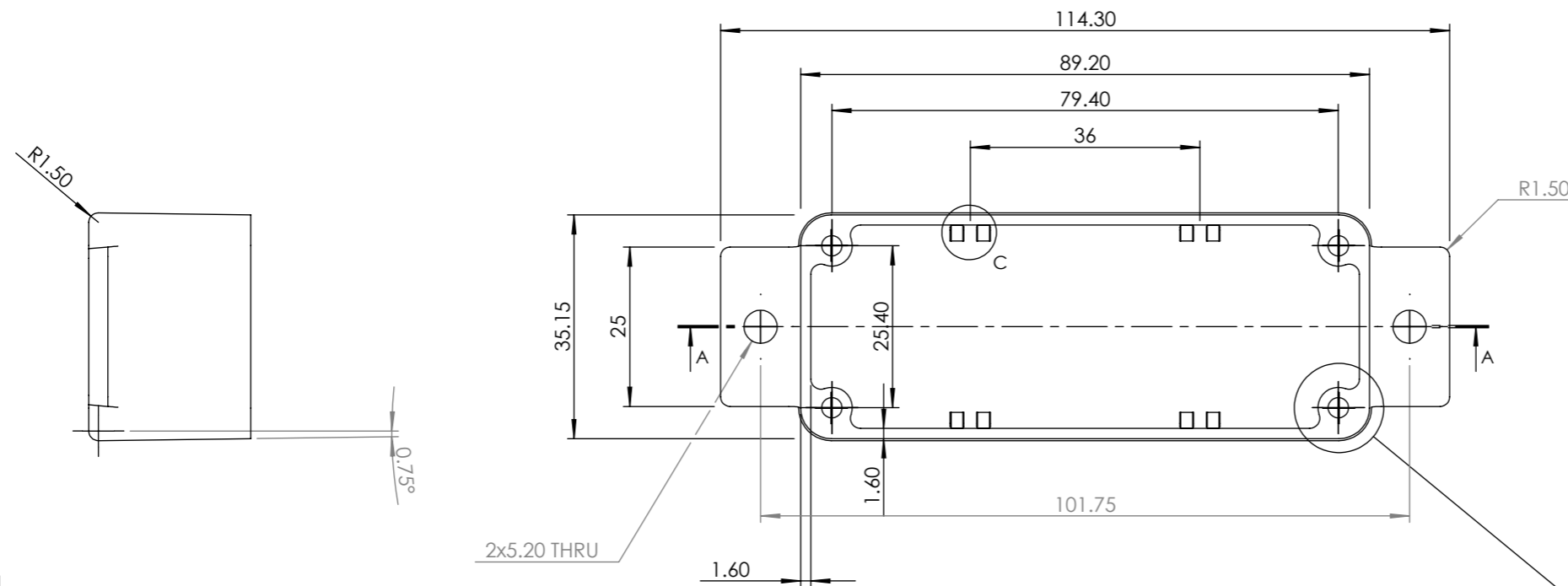


REV.	CNN	CNN DESCRIPTION	Date	Check in
01			13/04/2010	Shaun Barron



SIZE	FLANGED		
	PLAIN	POWDER COATED	NYLON COATED
A	455-0010	457-0010	458-0010
A	SEALED	FLANGED	
	456-0010	463-0010	464-0010

Tel No.+44(0)1724273200 Website www.dem-uk.com

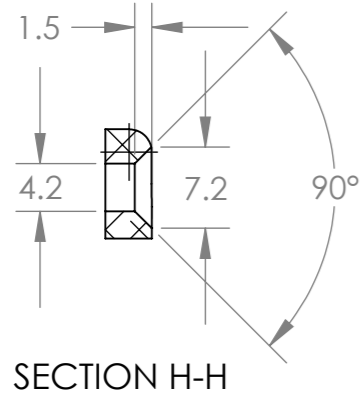
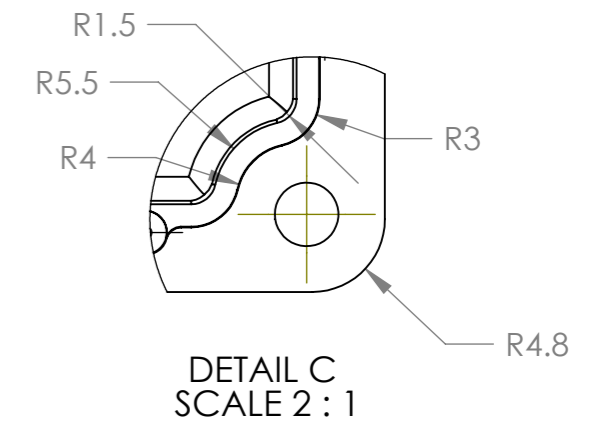
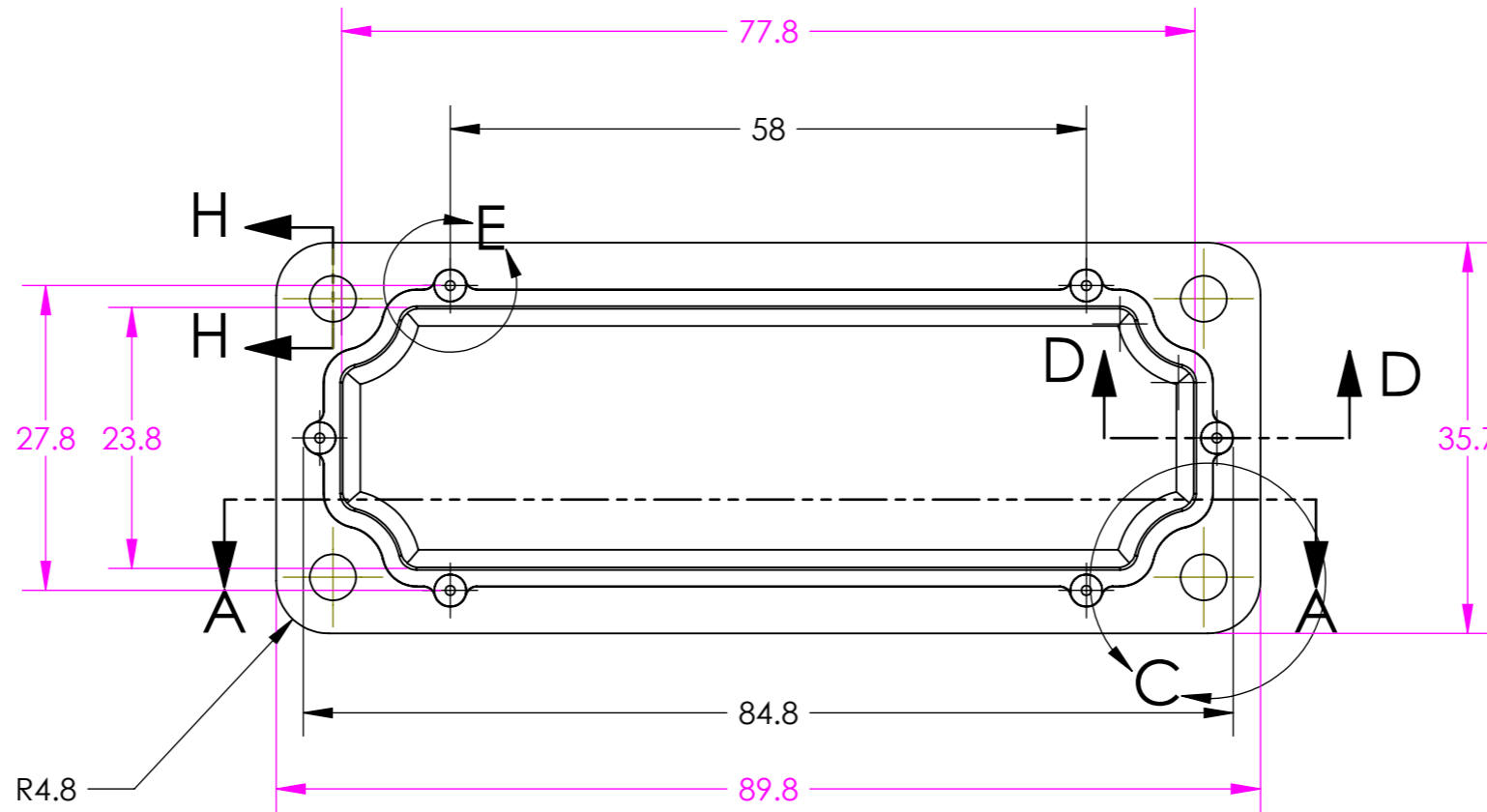
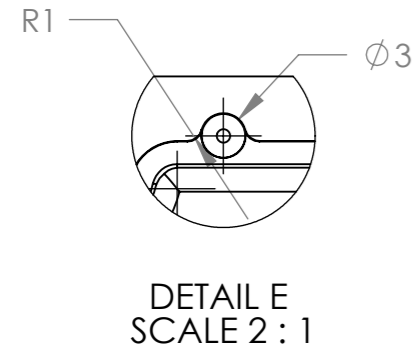
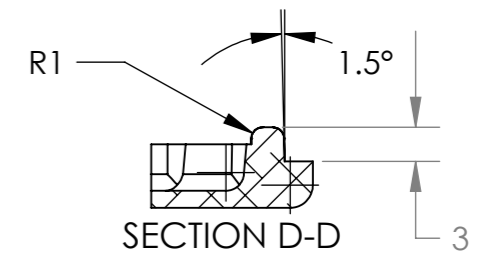
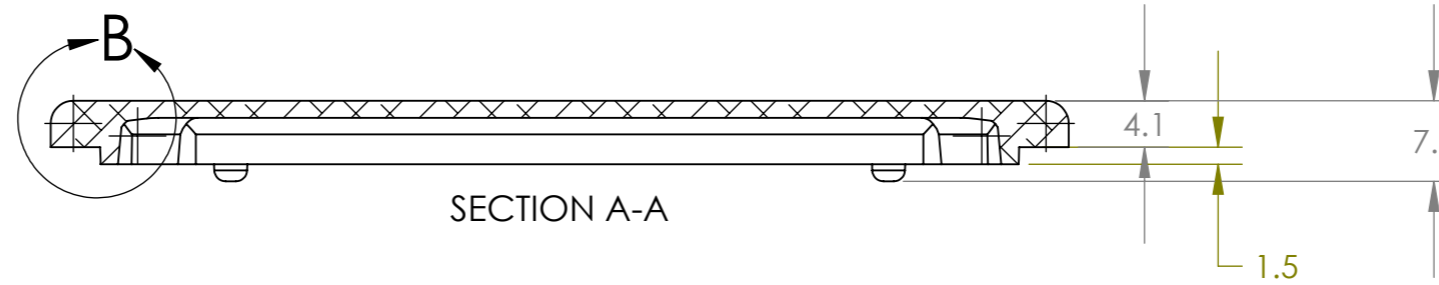
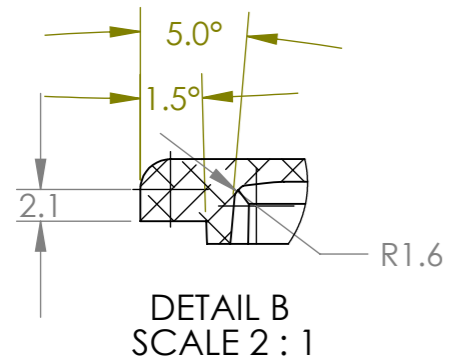


PROPRIETARY AND CONFIDENTIAL
 THE INFORMATION CONTAINED IN THIS DRAWING IS THE SOLE PROPERTY OF ALPHA 3 MANUFACTURING.
 ANY REPRODUCTION IN PART OR AS A WHOLE WITHOUT THE WRITTEN PERMISSION OF ALPHA 3 MANUFACTURING IS PROHIBITED.

DEM Manufacturing, Deltron Emcon House
 Hargreaves Way, Sawcliffe Ind. Park,
 Scunthorpe, North Lincolnshire, DN15 8RF, UK

UNLESS OTHERWISE SPECIFIED:
 DIMENSIONS ARE IN MILLIMETRES
 LINEAR TOLERANCE:
NO DECIMAL PLACES ±0.5mm
1 DECIMAL PLACE ±0.25mm
2 DECIMAL PLACES ±0.125mm
 ANGULAR TOLERANCE: ±1°

FINISH	DEBURR AND BREAK SHARP EDGES	DRAWN BY	B.SILLENCE	TITLE	PROCUREMENT SPECIFICATION FOR 'A' SIZE FLANGED BOX	
		APPROVED BY	B.SILLENCE			
	IF IN DOUBT ASK DO NOT SCALE DRAWING	THIRD ANGLE PROJECTION	SHEET 1 OF 1	DRAWING NO.	A BOX FLANGED	ISSUE 01
MATERIAL	DieCast Aluminium Alloy		SCALE 1:1			Release
			A3			



Tel No.+44(0)1724273200 Website www.dem-uk.com



PROPRIETARY AND CONFIDENTIAL
THE INFORMATION CONTAINED IN THIS DRAWING IS THE SOLE PROPERTY OF ALPHA 3 MANUFACTURING.
ANY REPRODUCTION IN PART OR AS A WHOLE WITHOUT THE WRITTEN PERMISSION OF ALPHA 3 MANUFACTURING IS PROHIBITED.

DEM Manufacturing, Deltron Emcon House
Hargreaves Way, Sawcliffe Ind. Park,
Scunthorpe, North Lincolnshire, DN15 8RF, UK

UNLESS OTHERWISE SPECIFIED:
DIMENSIONS ARE IN MILLIMETRES
LINEAR TOLERANCE:
NO DECIMAL PLACES ±0.5mm
1 DECIMAL PLACE ±0.25mm
2 DECIMAL PLACES ±0.125mm
ANGULAR TOLERANCE: ±1°

FINISH	DEBURR AND BREAK SHARP EDGES	DRAWN BY	B.SILLENC	TITLE	PROCUREMENT SPECIFICATION FOR 'A' SIZE BOX LID	
		APPROVED BY	B.SILLENC	DRAWING NO.	A LID	ISSUE 01
	IF IN DOUBT ASK DO NOT SCALE DRAWING	THIRD ANGLE PROJECTION	SHEET 1 OF 1			Release
MATERIAL	DieCast Aluminium Alloy		SCALE 1.5:1			
			A3			