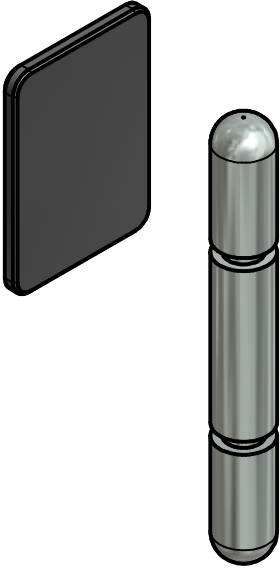
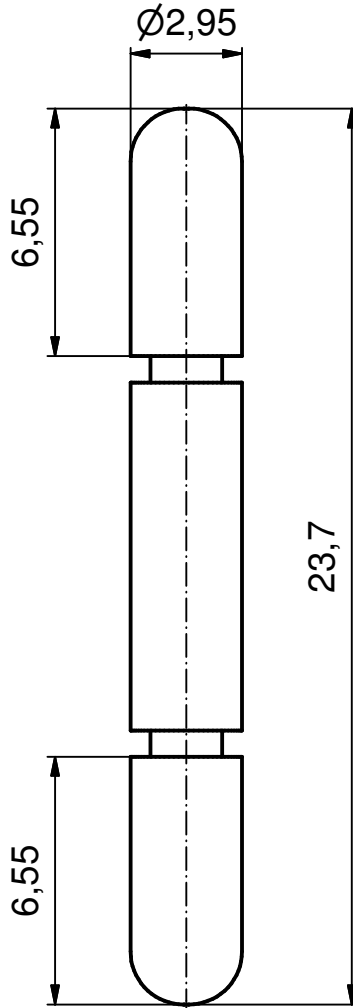


**A set consists of:**

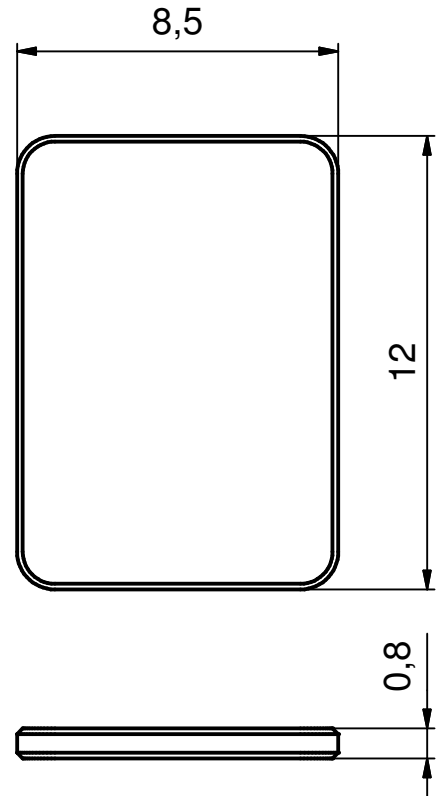
2x connection bolt  
2x locking plate



Connection bolt



Locking plate





RoHS compliant

**NOTES:**

1. Connection bolt: Steel; Nickel plated
2. Locking plate: ABS UL94 V-0, black

THIS DRAWING MAY NOT BE COPIED OR REPRODUCED IN ANY WAY, AND MAY NOT BE PASSED ON TO A THIRD PARTY WITHOUT WRITTEN PERMISSION. OWNERSHIP AND COPYRIGHT OF CONEC GmbH

DO NOT ALTER CAD DRAWING BY HAND

				tolerance ISO 2768-m	 dim. in mm
				date	name
				drawn 02.02.15	Henneboel
				appd. 02.02.15	Strakerjahn
				norm	
				d-old	
					
a	Original				
rev.	description	date	name		

scale:		5:1 (3:1)
material:		see notes
title: <b>Kit Encoding Connection</b> f. Hood Snap Lock Kit Kodier-Rastbolzen		
dwg no:		DIN-A4
16K1A3583		sh: 1
part no:		16-002200