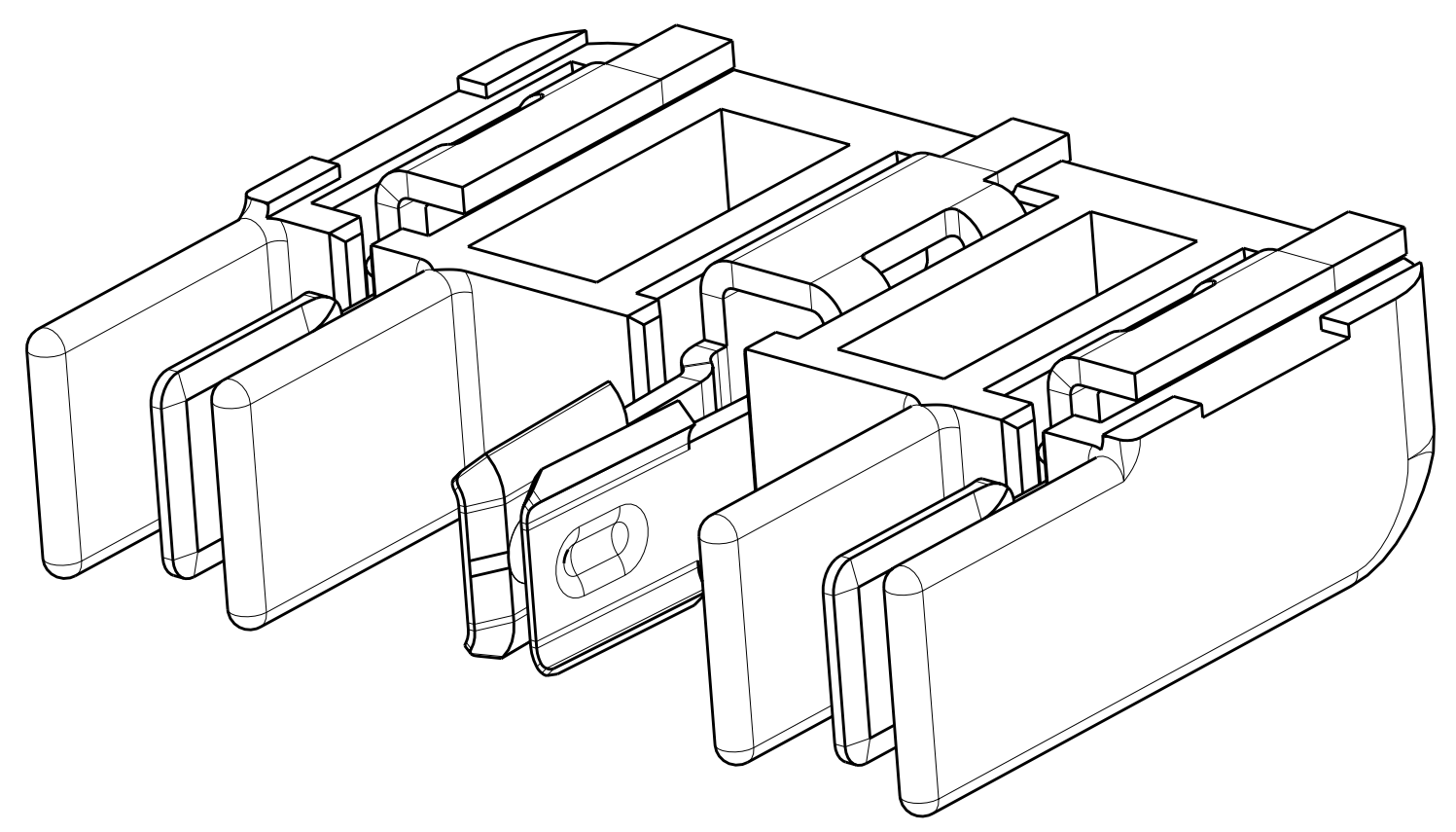
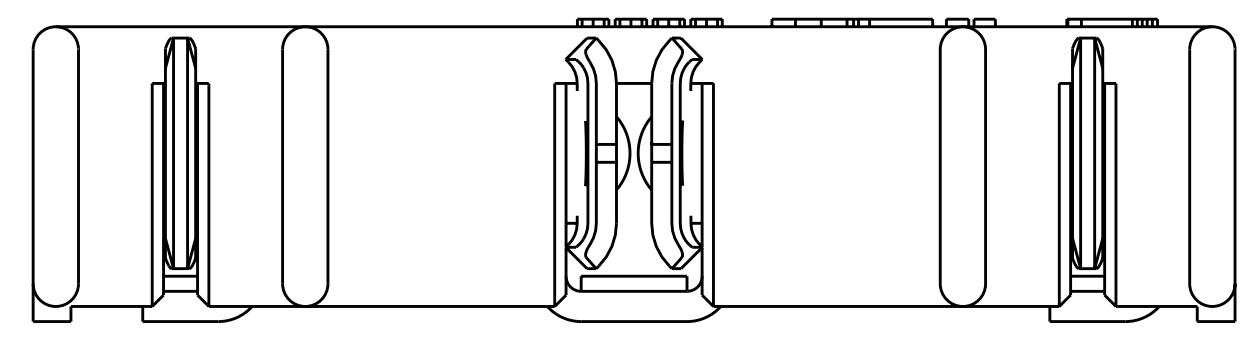
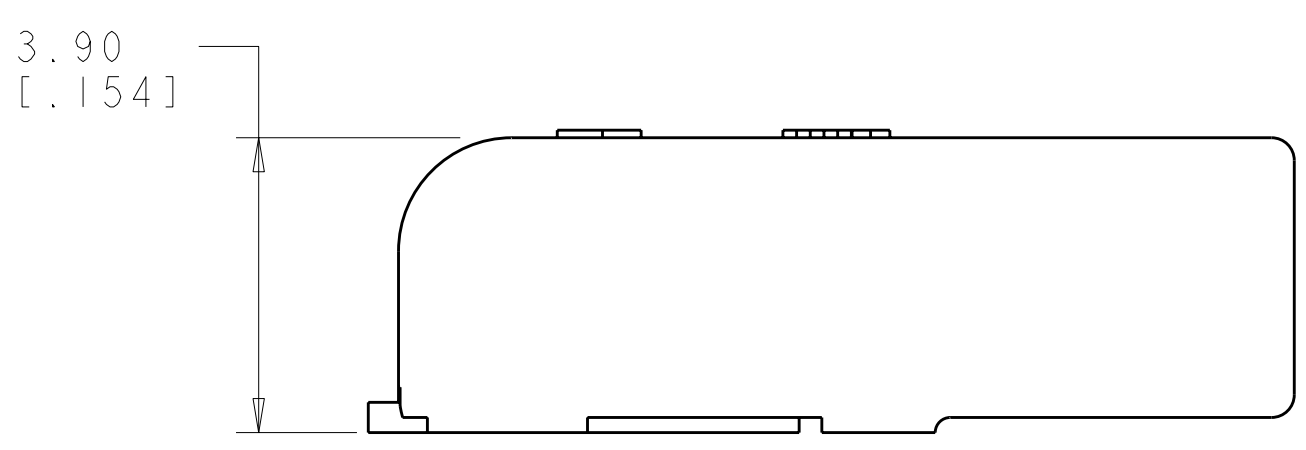
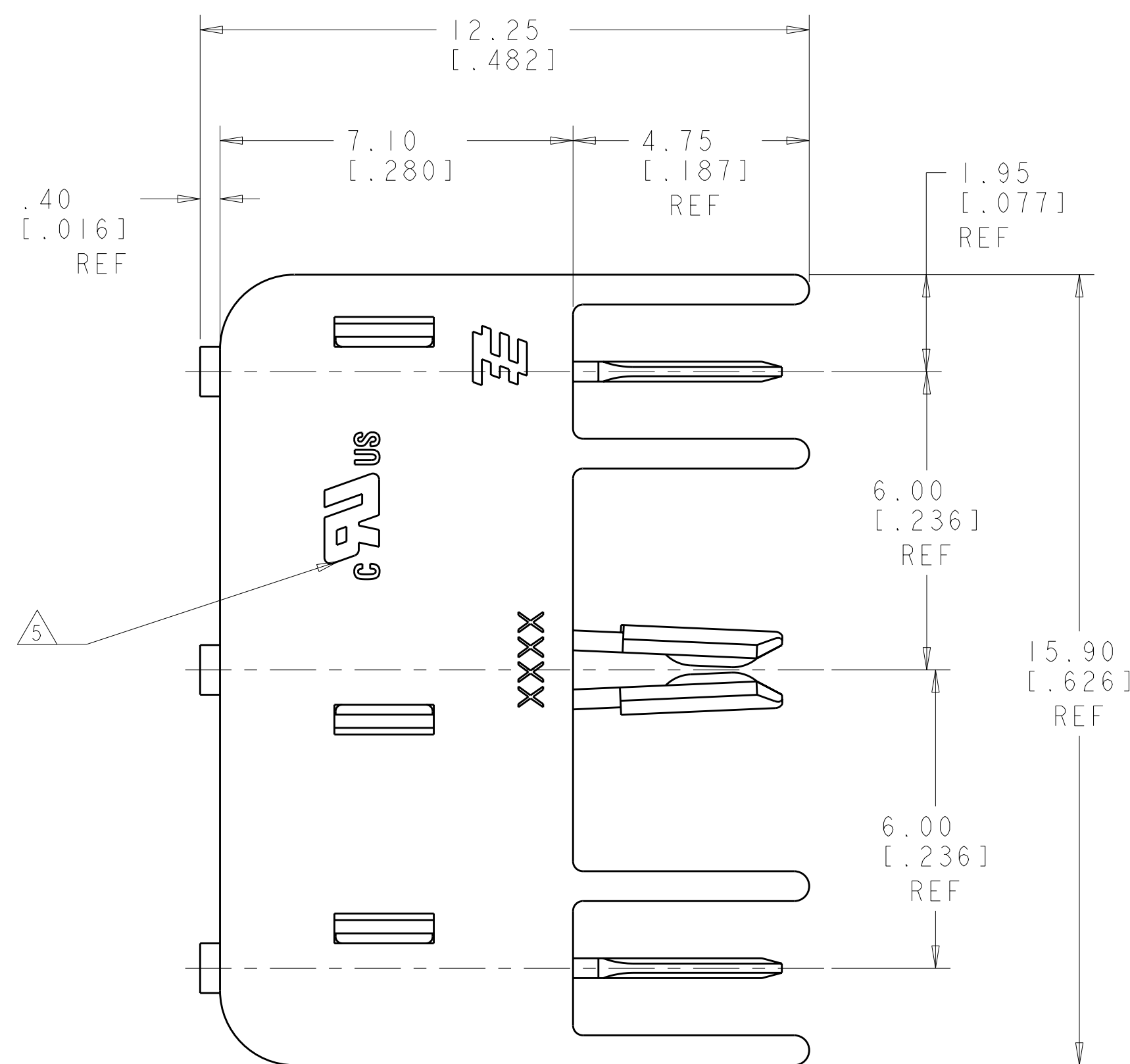
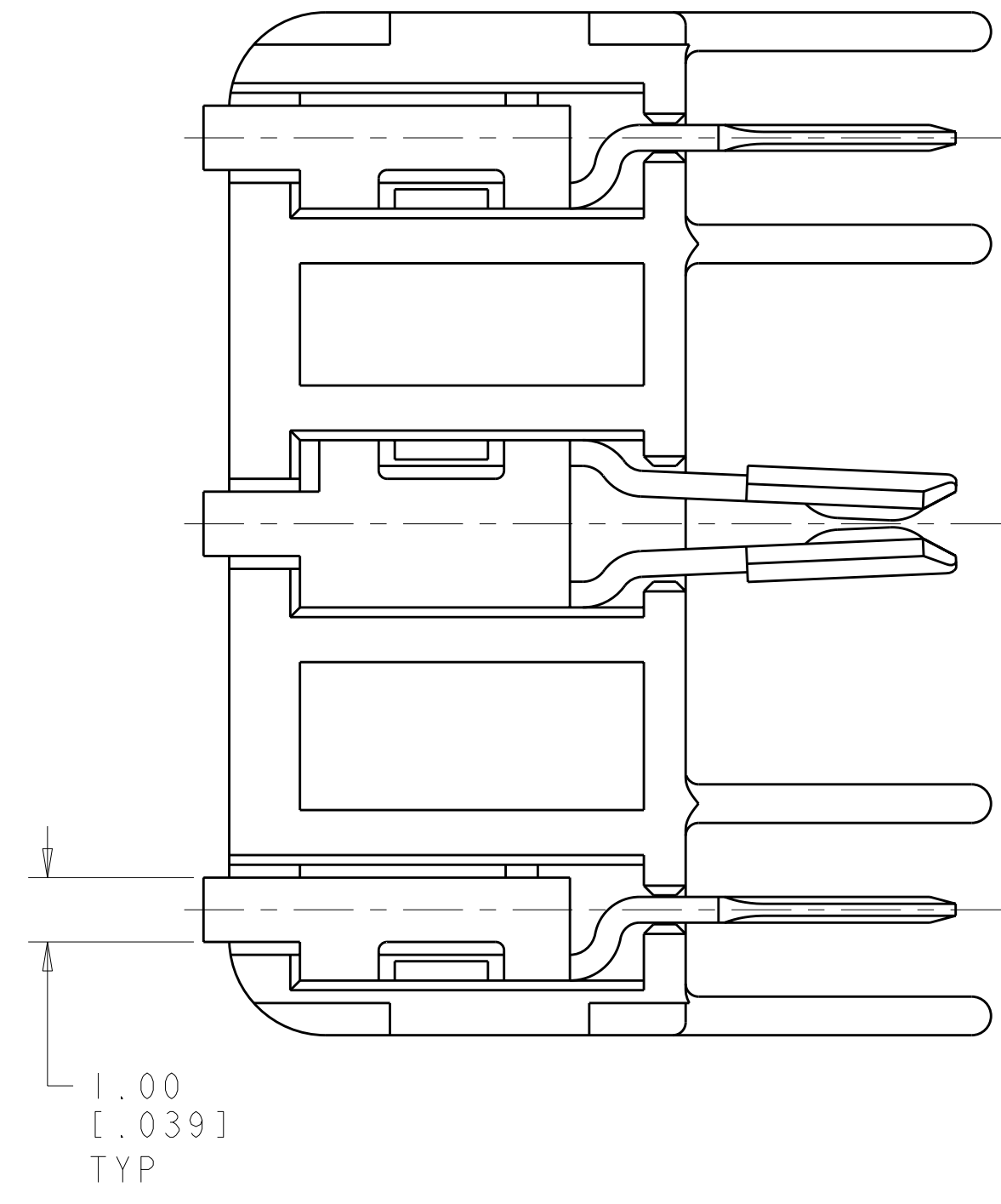


LOC	DIST	REV	DATE	BY	APPV
-	-	1	09DEC2008	-	-
		DESCRIPTION			
		PROPOSED			



2106090-1
SHOWN

- △ MATERIALS AND FINISH
 - HOUSING : LCP
 - CONTACTS: COPPER ALLOY
 - FINISH: TIN
 - 2. PRODUCT TO COMPLY WITH DIRECTIVE 2002/95/EC (ROHS)
 - 3. PACKAGED IN TAPE AND REEL PER EIA-481 SPECIFICATIONS
 - 4. PRODUCT HAS NOT COMPLETED VALIDATION TESTING
- △ PENDING APPROVAL



TYCO ELECTRONICS
CONFIDENTIAL
AND PROPRIETARY

PROPOSED DESIGN

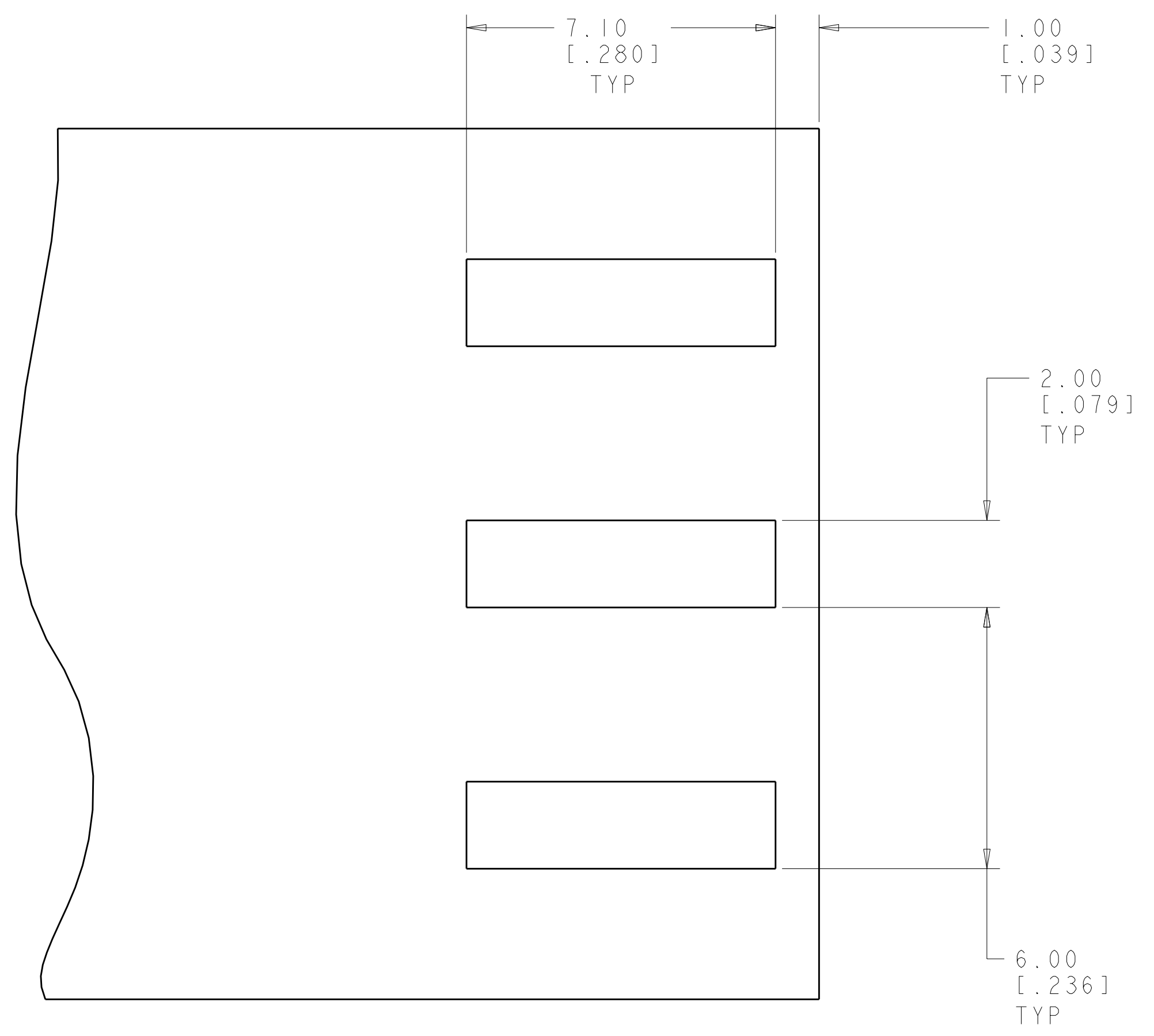
NOT PRODUCTION TOOLED

DESIGN IS SUBJECT TO
CHANGE WITHOUT NOTICE

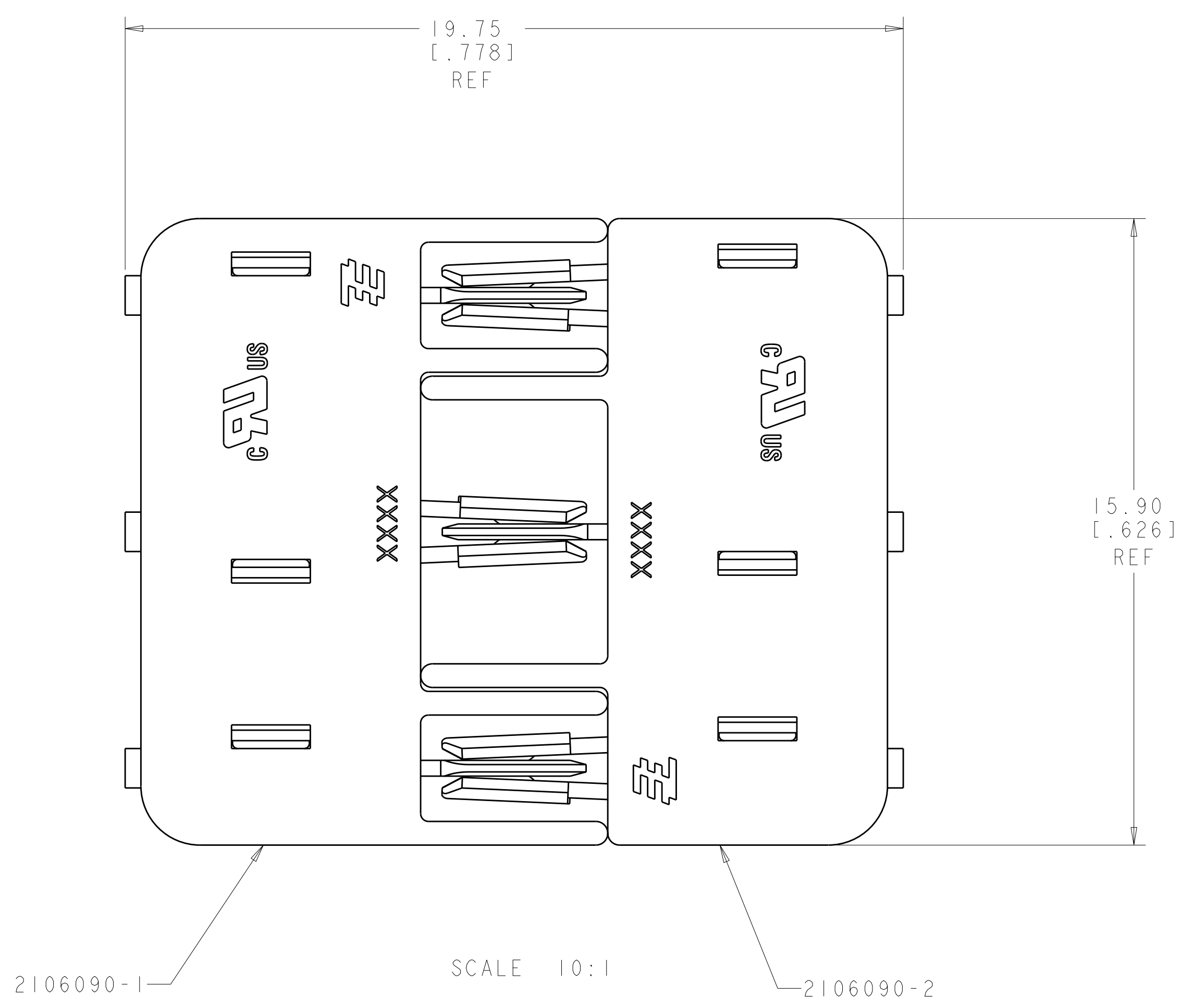
2106090-1
PART NO.

DIMENSIONS: mm [INCHES]		TOLERANCES UNLESS OTHERWISE SPECIFIED: 9 PLC ±.13 1 PLC ±.13 2 PLC ±.013 3 PLC ±. 4 PLC ±. ANGLES ±°		DWN: OMPRAKASH 06DEC2008 CHK: R NARANG 10DEC2008 APV: -	Tyco Electronics Harrisburg, PA 17105-3608
MATERIAL: △		FINISH: △		PRODUCT SPEC: - APPLICATION SPEC: - WEIGHT: -	SIZE: A 00779 C=2106090 SCALE: 6:1 SHEET: 1 OF 3 REV: 1
CUSTOMER DRAWING				RESTRICTED TO: -	

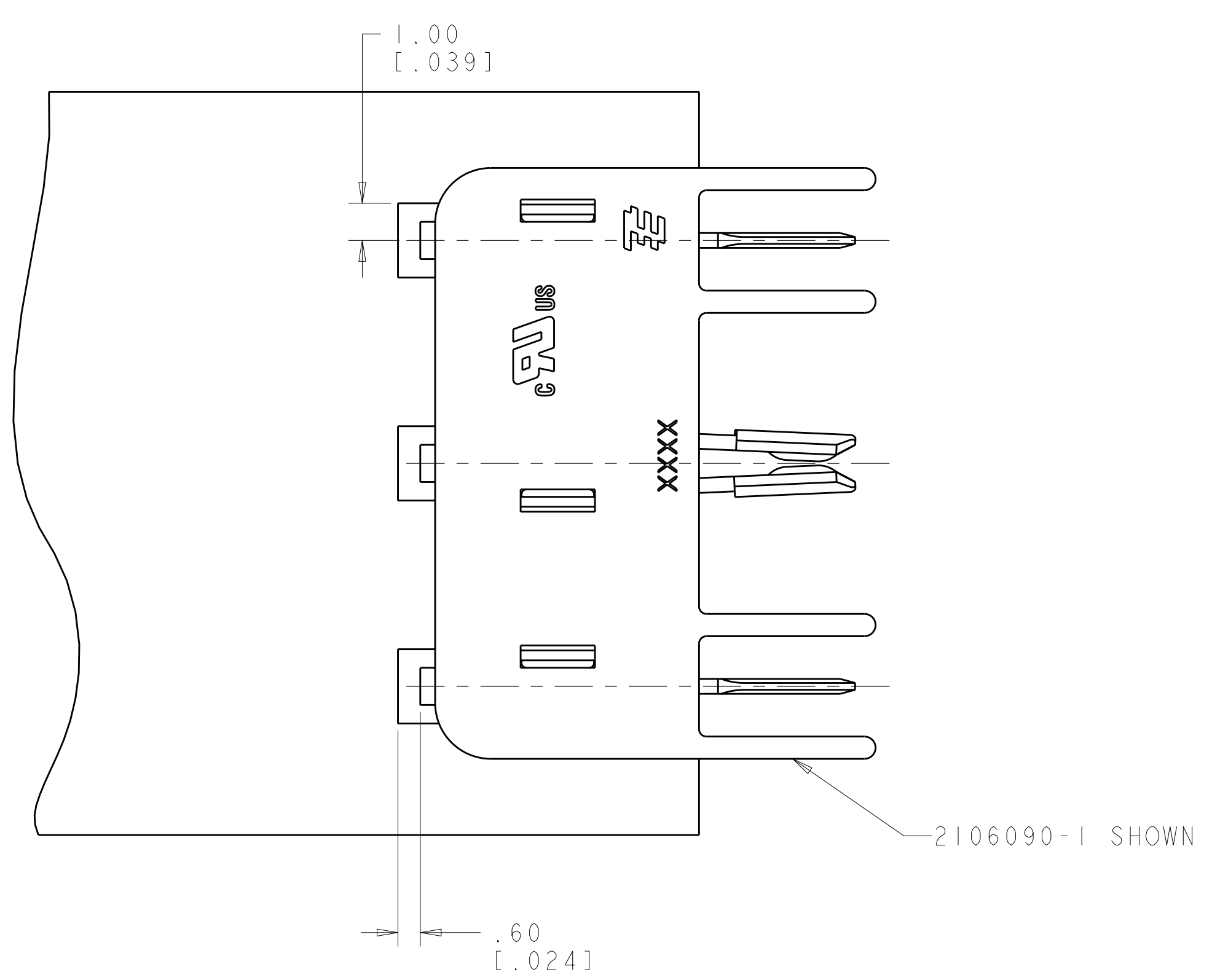
LOC	DIST	REV	DATE	BY	APPD
-	-	1	-	-	-
DESCRIPTION			DATE	DWN	APVD
SEE SHEET 1			-	-	-



RECOMMENDED PCB LAYOUT FOR 2106090-1 AND 2106090-2



SCALE 10:1
 MATED PAIR SHOWN FOR REFERENCE



SCALE 8:1

TYCO ELECTRONICS
 CONFIDENTIAL
 AND PROPRIETARY
 PROPOSED DESIGN
 NOT PRODUCTION TOOLED
 DESIGN IS SUBJECT TO
 CHANGE WITHOUT NOTICE

<small>THIS DRAWING IS UNPUBLISHED. RELEASED FOR PUBLICATION. IT IS SUBJECT TO CHANGE WITHOUT NOTICE AND WITHOUT OBLIGATION. TYCO ELECTRONICS CORPORATION SHALL BE CONTACTED FOR THE LATEST REVISION.</small>		DWN: OMPRAKASH 06DEC2008 CHK: R. NARANG 10DEC2008 APVD: -	Tyco Electronics Harrisburg, PA 17105-3608
DIMENSIONS: mm [INCHES]	TOLERANCES UNLESS OTHERWISE SPECIFIED: 9 PLG ±.13 1 PLG ±.13 2 PLG ±.013 3 PLG ±. 4 PLG ±. ANGLES ±°	PRODUCT SPEC: - APPLICATION SPEC: - WEIGHT: - FINISH: -	NAME: 3 POSITION BLADE AND RECEPTACLE SIZE: A 00779 C=2106090 RESTRICTED TO: -
MATERIAL:		CUSTOMER DRAWING	SCALE 10:1 SHEET 3 OF 3 REV 1