

MAX3050/MAX3057

±80V Fault-Protected, 2Mbps, Low-Supply Current CAN Transceivers

General Description

The MAX3050 and MAX3057 interface between the CAN protocol controller and the physical wires of the bus lines in a control area network (CAN). They are primarily intended for systems requiring data rates up to 2Mbps and feature ±80V fault protection against shorts in high-voltage power buses. They provide differential transmit capability to the bus and differential receive capability to the CAN controller.

The MAX3050 and MAX3057 have four modes of operation: high speed, slope control, standby, and shutdown. High-speed mode allows data rates up to 2Mbps. In slope-control mode, data rates are 40kbps to 500kbps, so the effects of EMI are reduced, and unshielded twisted or parallel cable can be used. In standby mode, the transmitters are shut off and the receivers are put into low-current mode. In shutdown mode, the transmitter and receiver are switched off.

The MAX3050 has an AutoShutdown™ function that puts the device into a 15ms shutdown mode when the bus or CAN controller is inactive for 4ms or longer.

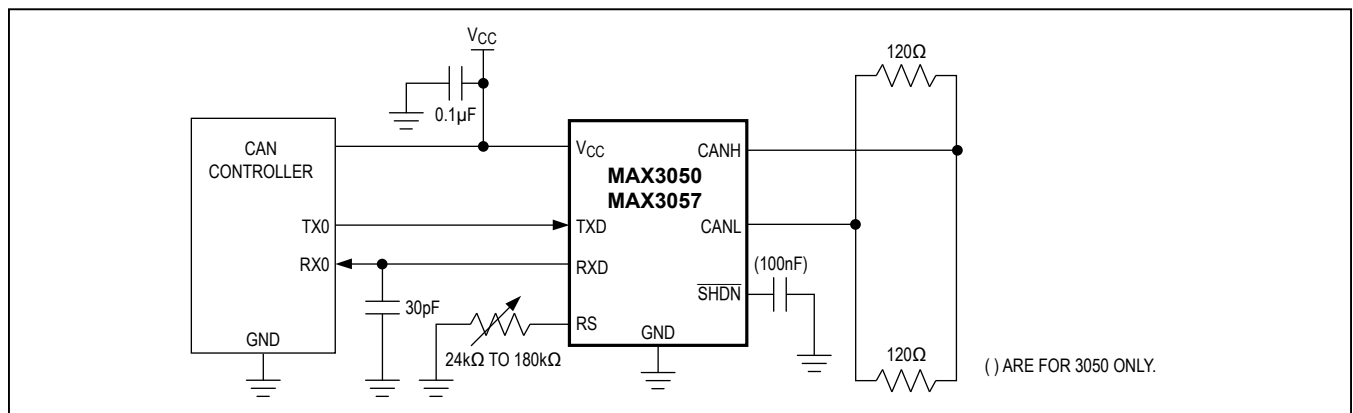
The MAX3050 and MAX3057 are available in an 8-pin SO package and are specified for operation from -40°C to +125°C.

Applications

- HVAC Controls
- Telecom 72V systems

AutoShutdown is a trademark of Maxim Integrated Products, Inc.

Typical Operating Circuit



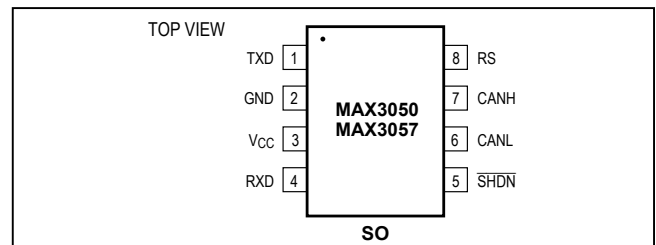
Features

- ±80V Fault Protection for 42V Systems
- Four Operating Modes:
 - High-Speed Operation Up to 2Mbps
 - Slope-Control Mode to Reduce EMI (40kbps to 500kbps)
 - Standby Mode
 - Low-Current Shutdown Mode
- AutoShutdown when Device is Inactive (MAX3050)
- Automatic Wake-Up from Shutdown (MAX3050)
- Thermal Shutdown
- Current Limiting
- Fully Compatible with the ISO 11898 Standard

Ordering Information

| PART | TEMP RANGE | PIN-PACKAGE |
|------------|-----------------|-------------|
| MAX3050ASA | -40°C to +125°C | 8 SO |
| MAX3057ASA | -40°C to +125°C | 8 SO |

Pin Configuration



Absolute Maximum Ratings

| | | | |
|---|-----------------------------------|---|-----------------|
| V _{CC} to GND | -0.3V to +6V | Operating Temperature Range | -40°C to +125°C |
| TXD, RS, RXD, SHDN to GND..... | -0.3V to (V _{CC} + 0.3V) | Junction Temperature..... | +150°C |
| RXD Shorted to GND..... | Continuous | Storage Temperature Range | -65°C to +150°C |
| CANH, CANL to GND..... | -80V to +80V Continuous | Lead Temperature (soldering, 10s) | +300°C |
| Continuous Power Dissipation (T _A = +70°C) | | | |
| 8-Pin SO (derate 5.9mW/°C above +70°C) | 470mW | | |

Stresses beyond those listed under "Absolute Maximum Ratings" may cause permanent damage to the device. These are stress ratings only, and functional operation of the device at these or any other conditions beyond those indicated in the operational sections of the specifications is not implied. Exposure to absolute maximum rating conditions for extended periods may affect device reliability.

DC Electrical Characteristics

(V_{CC} = +5V ±10%, R_L = 60Ω, R_S = GND, T_A = T_{MIN} to T_{MAX}. Typical values are at V_{CC} = +5V and T_A = +25°C.)

| PARAMETER | SYMBOL | CONDITIONS | MIN | TYP | MAX | UNITS |
|--|--|---|------|------|-----------------|-------|
| Supply Current | I _S | Dominant (Note 1) | | 56 | 72 | mA |
| | | Dominant no load | | | 6 | |
| | | Recessive (Note 1) | | 3.6 | 5.5 | |
| | | Recessive no load | | | 5.5 | |
| Quiescent Current Standby Mode | I _Q | V _{RS} = V _{CC} | | 125 | 260 | μA |
| Shutdown Supply Current | I _{QSHDN} | SHDN = GND | | 15 | 30 | μA |
| Thermal-Shutdown Threshold | | | | 160 | | °C |
| Thermal-Shutdown Hysteresis | | | | 20 | | °C |
| TXD INPUT LEVELS | | | | | | |
| High-Level Input Voltage | V _{IH} | | 2 | | | V |
| Low-Level Input Voltage | V _{IL} | | | | 0.4 | V |
| High-Level Input Current | I _{IH} | V _{TXD} = V _{CC} | | 1 | | μA |
| Pullup Resistor | R _{INTXD} | | | 20 | | kΩ |
| CANH, CANL TRANSMITTER | | | | | | |
| Recessive Bus Voltage | V _{CANH} , V _{CANL} | V _{TXD} = V _{CC} , no load | 2 | | 3 | V |
| Off-State Output Leakage | I _{LO} | -2V < V _{CANH} , V _{CANL} < +7V SHDN = GND, V _{TXD} = V _{CC} | -2 | | +1 | mA |
| | | -80V < V _{CANH} , V _{CANL} < +80V SHDN = GND, V _{TXD} = V _{CC} | -4 | | +4 | |
| CANH Output Voltage | V _{CANH} | V _{TXD} = 0 | 3.0 | | V _{CC} | V |
| CANL Output Voltage | V _{CANL} | V _{TXD} = 0 | 0 | | 2.0 | V |
| Differential Output (V _{CANH} - V _{CANL}) | ΔV _{CANH} , V _{CANL} | V _{TXD} = 0 | 1.5 | | 5 | V |
| | | V _{TXD} = 0, R _L = 45Ω | 1.5 | | | |
| | | V _{TXD} = V _{CC} , no load | -500 | | +50 | mV |
| CANH Short-Circuit Current | I _{SC} | V _{CANH} = -5V | -200 | | | mA |
| CANL Short-Circuit Current | I _{SC} | V _{CANL} = 18V | | | 200 | mA |
| ESD CANH, CANL (Note 2) | | Human Body Model | | ±2 | | kV |
| | | IEC1000-4-2 Air Gap | | ±3 | | |
| | | IEC1000-4-2 Contact Discharge | | ±2.5 | | |

DC Electrical Characteristics (continued)(V_{CC} = +5V ±10%, R_L = 60Ω, R_S = GND, T_A = T_{MIN} to T_{MAX}. Typical values are at V_{CC} = +5V and T_A = +25°C.)

| PARAMETER | SYMBOL | CONDITIONS | MIN | TYP | MAX | UNITS |
|--|--------------------------|--|------------------------|-----|-----------------------|-------|
| DC Bus Receiver (V_{TXD} = V_{CC}; CANH and CANL externally driven; -2V < V_{CANH}, V_{CANL} < +7V, unless otherwise specified) | | | | | | |
| Differential Input Voltage (Recessive) | V _{DIFF} | -7V < V _{CANH} , V _{CANL} < +12V | -1.0 | | +0.5 | V |
| Differential Input Voltage (Dominant) | V _{DIFF} | -7V < V _{CANH} , V _{CANL} < +12V | 0.9 | | 3.3 | V |
| Differential Input Hysteresis | V _{DIFF} (HYST) | | | 150 | | mV |
| CANH Input Wake-Up Voltage Threshold | V _{CANH} (SHDN) | $\overline{\text{SHDN}} = \text{GND}$, V _{TXD} = V _{CC} (MAX3050) | 6 | | 9 | V |
| RXD High-Level Output Voltage | V _{OH} | I = -100μA | 0.8 x V _{CC} | | | V |
| RXD Low-Level Output Voltage | V _{OL} | I = 10mA | | | 0.8 | V |
| | | I = 5mA | | | 0.4 | |
| CANH and CANL Input Resistance | R _I | | 5 | | 25 | kΩ |
| Differential Input Resistance | R _{DIFF} | | 10 | | 100 | kΩ |
| MODE SELECTION (RS) | | | | | | |
| Input Voltage for High Speed | V _{SLP} | | | | 0.3 x V _{CC} | V |
| Input Voltage for Standby | V _{STBY} | | 0.75 x V _{CC} | | | V |
| Slope-Control Mode Voltage | V _{SLOPE} | R _{RS} = 24kΩ to 180kΩ | 0.4 x V _{CC} | | 0.6 x V _{CC} | V |
| Slope-Control Mode Current | I _{SLOPE} | R _{RS} = 24kΩ to 180kΩ | -10 | | -200 | μA |
| Standby Mode | I _{STBY} | | -10 | | +10 | μA |
| High-Speed Mode Current | I _{HS} | V _{RS} = 0 | | | -500 | μA |
| SHUTDOWN | | | | | | |
| $\overline{\text{SHDN}}$ Input Pullup Resistor | R _{INSHDN} | MAX3057 | 500 | | 900 | kΩ |
| $\overline{\text{SHDN}}$ Input Voltage High | | | 2 | | | V |

Timing Characteristics

($V_{CC} = +5V \pm 10\%$, $R_L = 60\Omega$, $C_L = 100pF$, $T_A = T_{MIN}$ to T_{MAX} . Typical values are at $V_{CC} = +5V$ and $T_A = +25^\circ C$.) (Figures 1, 2, and 3)

| PARAMETER | SYMBOL | CONDITIONS | MIN | TYP | MAX | UNITS |
|--|--------------|--|-----|-----|------|------------|
| TIMING | | | | | | |
| Minimum Bit Time | t_{BIT} | $V_{RS} = 0$ (2Mbps) | 0.5 | | | μs |
| | | $R_{RS} = 24k\Omega$ (500kbps) | 2 | | | |
| | | $R_{RS} = 100k\Omega$ (125kbps) | 8 | | | |
| | | $R_{RS} = 180k\Omega$ (62.5kbps) | 25 | | | |
| Delay TXD to Bus Active | t_{ONTXD} | $V_{RS} = 0$ | | | 40 | ns |
| Delay TXD to Bus Inactive | t_{OFFTXD} | $V_{RS} = 0$ | | | 75 | ns |
| Delay TXD to Receiver Active | t_{ONRXD} | $V_{RS} = 0$ (2Mbps) | | | 120 | μs |
| | | $R_{RS} = 24k\Omega$ (500kbps) | | | 0.4 | |
| | | $R_{RS} = 100k\Omega$ (125kbps) | | | 1.6 | |
| | | $R_{RS} = 180k\Omega$ (62.5kbps) | | | 5.0 | |
| Delay TXD to Receiver Inactive | t_{OFFRXD} | $V_{RS} = 0$ (2Mbps) | | | 130 | μs |
| | | $R_{RS} = 24k\Omega$ (500kbps) | | | 0.45 | |
| | | $R_{RS} = 100k\Omega$ (125kbps) | | | 1.6 | |
| | | $R_{RS} = 180k\Omega$ (62.5kbps) | | | 5.0 | |
| Differential Output Slew Rate | SR | $R_{RS} = 24k\Omega$ (500kbps) | 14 | | | V/ μs |
| | | $R_{RS} = 100k\Omega$ (125kbps) | 7 | | | |
| | | $R_{RS} = 180k\Omega$ (62.5kbps) | 1.6 | | | |
| Bus Dominant to RXD Low | | Standby mode | | | 10 | μs |
| Time to Wake Up: CANH > 9V | t_{WAKE} | $\overline{SHDN} = GND$, $V_{TXD} = V_{CC}$ (MAX3050) | | | 10 | μs |
| Time to Sleep Mode when Bus Is Recessive | t_{SHDN} | $C_{SHDN} = 100nF$ (MAX3050) | 10 | 47 | | ms |

Note 1: As defined by ISO, bus value is one of two complementary logical values: dominant or recessive. The dominant value represents the logical 1 and the recessive represents the logical 0. During the simultaneous transmission of the dominant and recessive bits, the resulting bus value is dominant. For MAX3050 and MAX3057 values, see the truth table in the *Transmitter* and *Receiver* sections under *Detailed Description*.

Note 2: The ESD structures do not short out CANH and CANL under an ESD event while $-7V < CANH$, $CANL < +12V$.

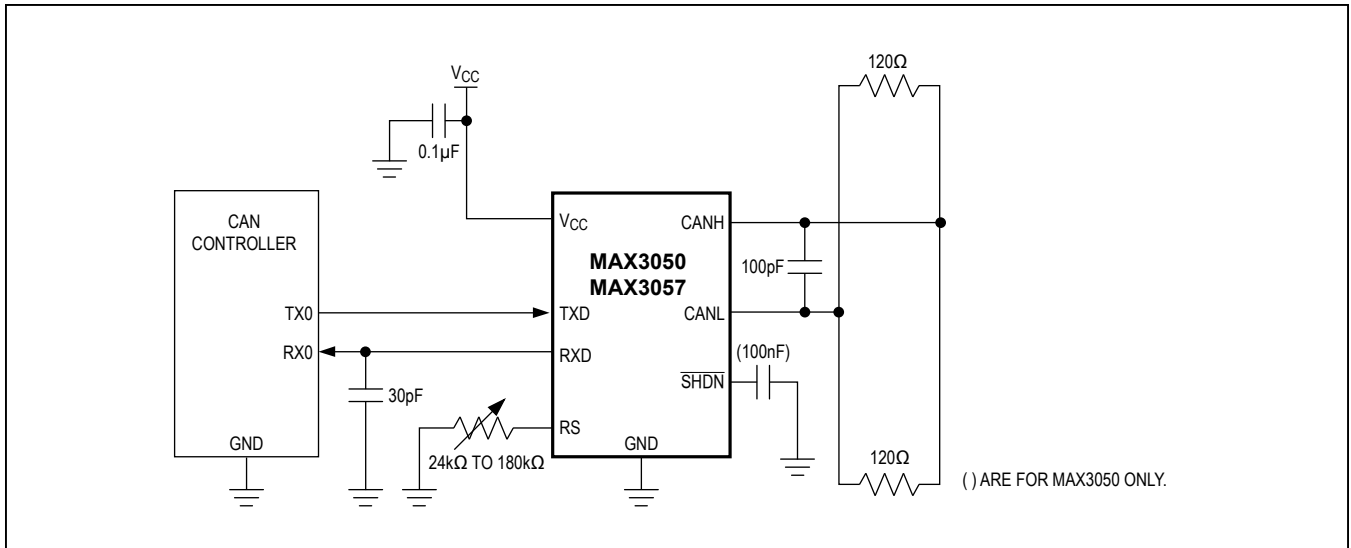


Figure 1. AC Test Circuit

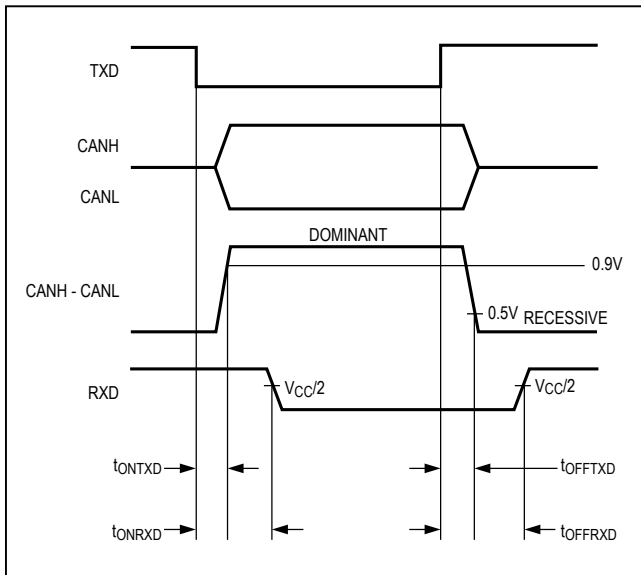


Figure 2. Timing Diagram for Dynamic Characteristics

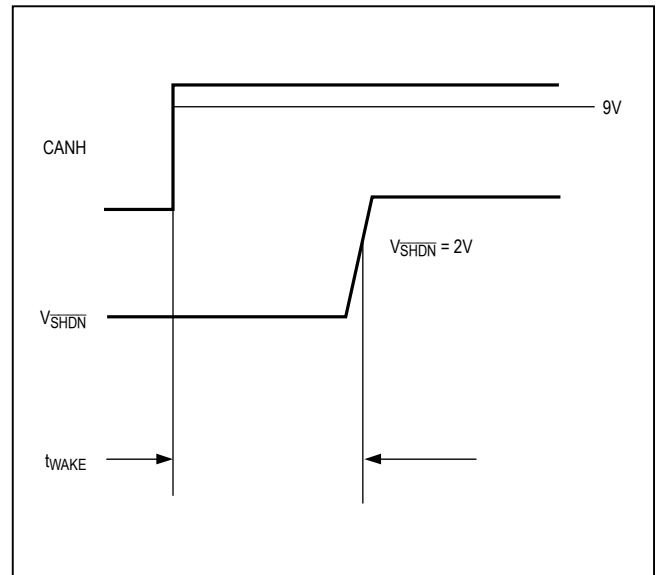
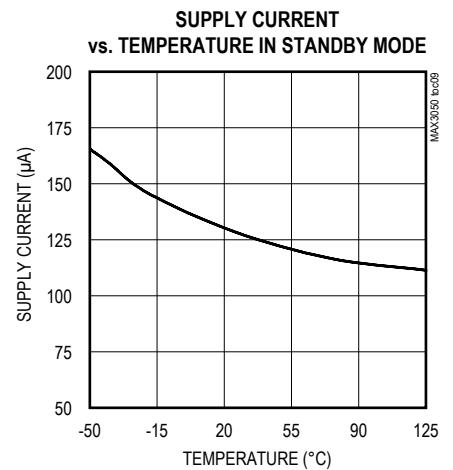
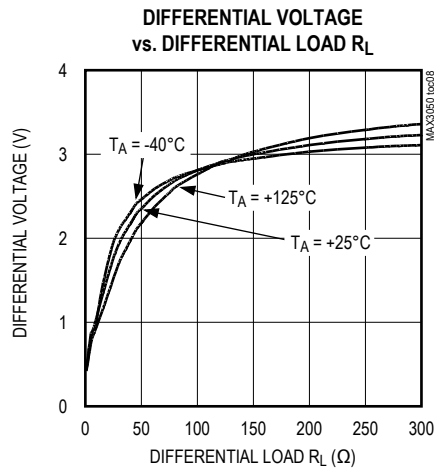
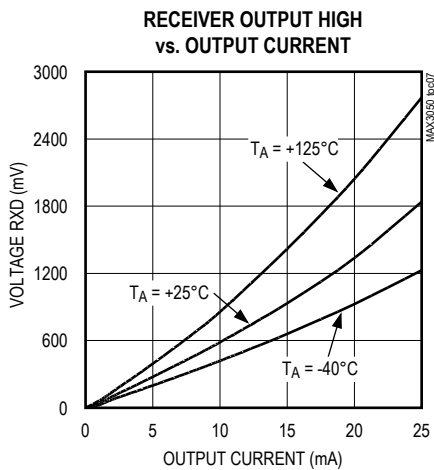
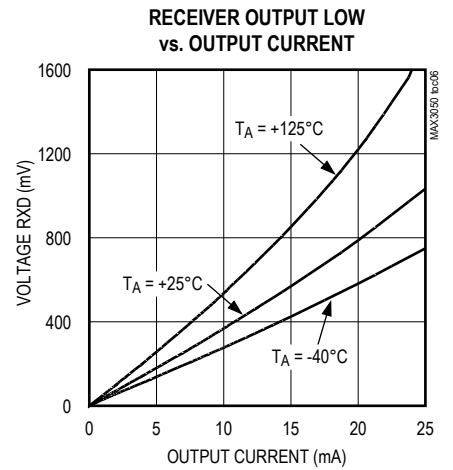
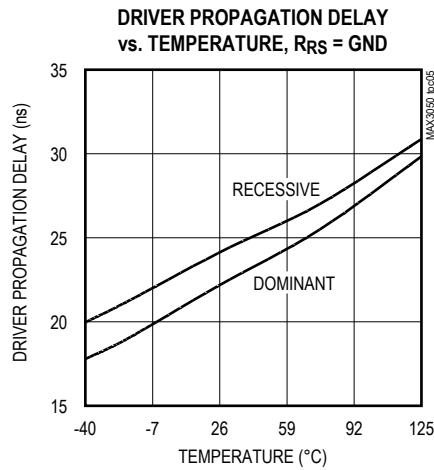
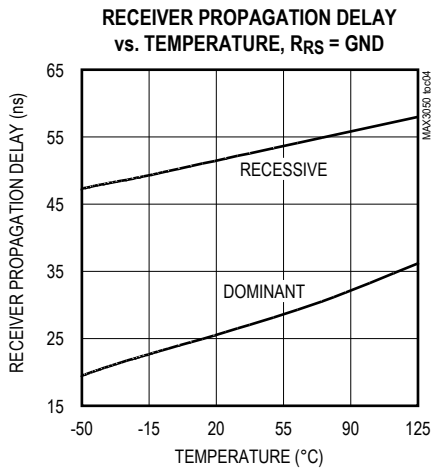
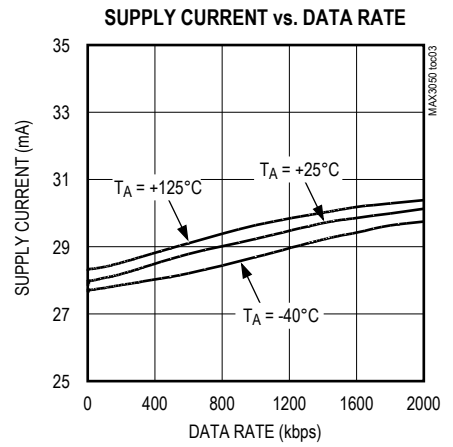
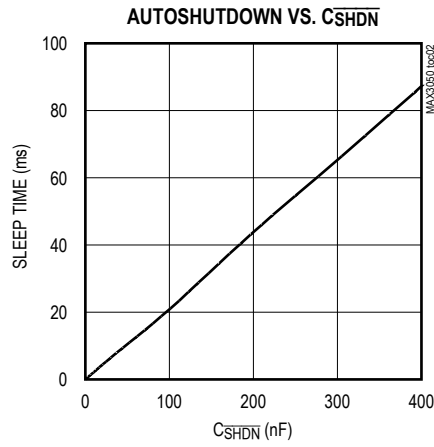
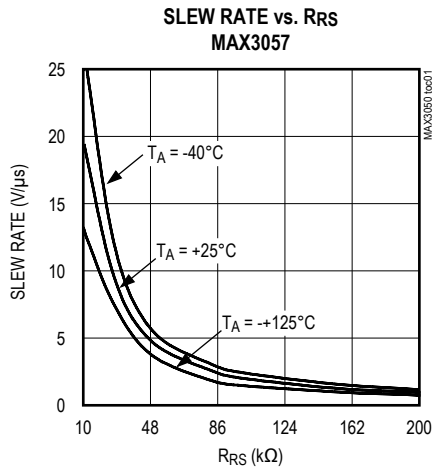


Figure 3. Time to Wake-Up (t_{WAKE}) (MAX3050)

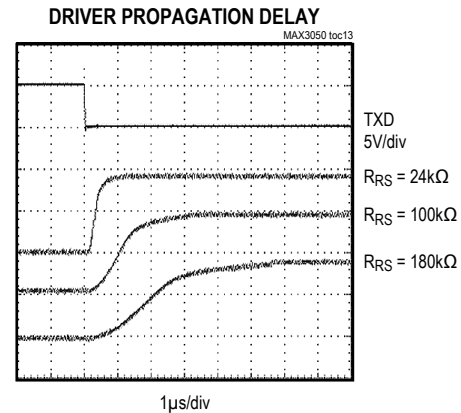
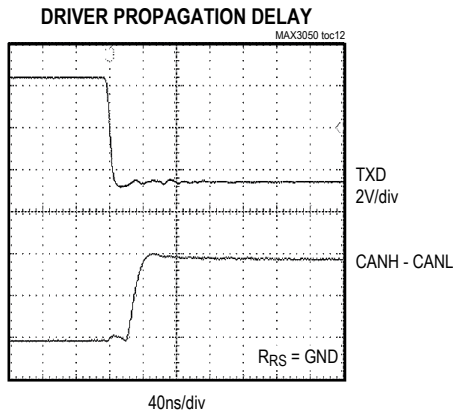
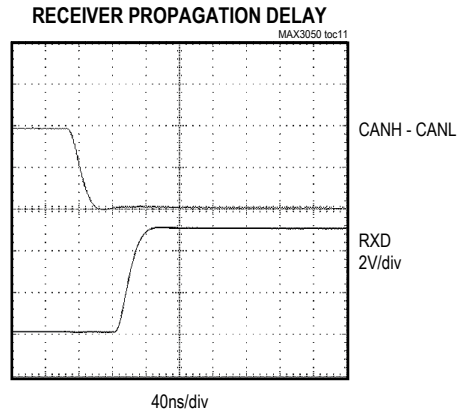
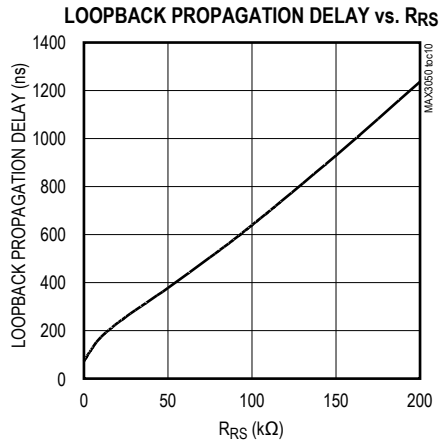
Typical Operating Characteristics

(VCC = 5V, RL = 60Ω, CL = 100pF, TA = +25°C, unless otherwise specified.)



Typical Operating Characteristics (continued)

(V_{CC} = 5V, R_L = 60Ω, C_L = 100pF, T_A = +25°C, unless otherwise specified.)



Pin Description

| PIN | NAME | FUNCTION |
|-----|--------------------------|---|
| 1 | TXD | Transmit Data Input. TXD is a CMOS/TTL-compatible input from a CAN controller. |
| 2 | GND | Ground |
| 3 | V _{CC} | Supply Voltage. Bypass V _{CC} to GND with a 0.1μF capacitor. |
| 4 | RXD | Receive Data Output. RXD is a CMOS/TTL-compatible output from the physical bus lines CANH and CANL. |
| 5 | $\overline{\text{SHDN}}$ | Shutdown Input. Drive $\overline{\text{SHDN}}$ low to put into shutdown mode. See the Detailed Description section for a full explanation of SHDN behavior. |
| 6 | CANL | CAN Bus Line Low. CANL is fault protected to ±80V. |
| 7 | CANH | CAN Bus Line High. CANH is fault protected to ±80V. |
| 8 | RS | Mode Select Pin. Drive RS low or connect to GND for high-speed operation. Connect a resistor from RS to GND to control output slope. Drive RS high to put into standby mode. See the Mode Selection section under Detailed Description. |

Detailed Description

The MAX3050 and MAX3057 interface between the protocol controller and the physical wires of the bus lines in a CAN. They are primarily intended for applications requiring data rates up to 2Mbps and feature ±80V fault protection against shorts in high-voltage systems. This fault protection allows the devices to withstand up to ±80V with respect to ground with no damage to the device. The built-in fault tolerance allows the device to survive in industrial environments with no external protection devices. The devices provide differential transmit capability to the bus and differential receive capability to the CAN controller. (See Figure 4.)

The device has four modes of operation: high speed, slope control, standby, and shutdown. In high-speed mode, slew rates are not limited, making 2Mbps transmission speeds possible. Slew rates are controlled in slopecontrol mode, minimizing EMI and allowing use of unshielded twisted or parallel cable. In standby mode, receivers are active and transmitters are in high impedance. In shutdown mode, transmitters and receivers are turned off.

The transceivers are designed to operate from a single +5V supply and draw 56mA of supply current in dominant state and 3.6mA in recessive state. In standby mode, supply current is reduced to 135µA. In shutdown mode, supply current is 15µA.

CANH and CANL are output short-circuit current-limited and are protected against excessive power dissipation by thermal-shutdown circuitry that places the driver outputs into a high-impedance state.

Fault Protection

The MAX3050 and MAX3057 feature ±80V fault protection. This extended voltage range of CANH and CANL bus lines allows use in high-voltage systems and communication with high-voltage buses. If data is transmitting at 2Mbps, the fault protection is reduced to ±70V.

Transmitter

The transmitter converts a single-ended input (TXD) from the CAN controller to differential outputs for the bus lines (CANH, CANL). The truth table for the transmitter and receiver is given in Table 1.

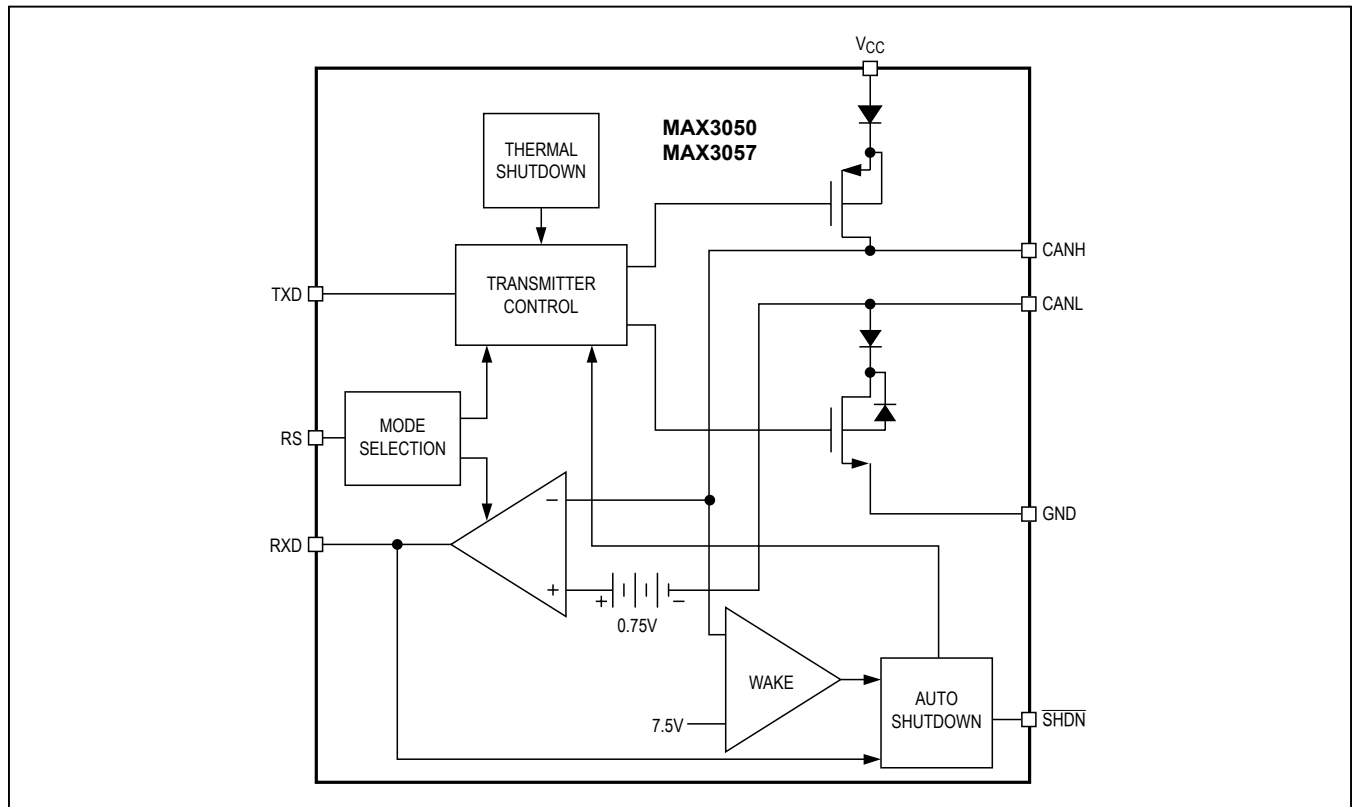


Figure 4. Functional Diagram

Table 1. Transmitter and Receiver Truth Table

| TXD | RS | $\overline{\text{SHDN}}$ | CANH | CANL | BUS STATE | RXD |
|------------|-------------------------------|--|-------------------------|-------------------------|------------|-----|
| 0 | $V_{RS} < 0.75 \times V_{CC}$ | $V_{\overline{\text{SHDN}}} > 1.5\text{V}$ | High | Low | Dominant* | 0 |
| 1 or float | $V_{RS} < 0.75 \times V_{CC}$ | $V_{\overline{\text{SHDN}}} > 1.5\text{V}$ | 5 to 25kΩ to $V_{CC}/2$ | 5 to 25kΩ to $V_{CC}/2$ | Recessive* | 1 |
| X | $V_{RS} > 0.75 \times V_{CC}$ | X | Floating | Floating | Floating | 1 |
| X | X | $V_{\overline{\text{SHDN}}} < 0.5\text{V}$ | Floating | Floating | Floating | 1 |

X = Don't care.

* As defined by ISO, bus value is one of two complementary logical values: dominant or recessive. The dominant value represents the logical 0 and the recessive represents the logical 1. During the simultaneous transmission of the dominant and recessive bits, the resulting bus value is dominant.

High Speed

Connect RS to ground to set the MAX3050 and MAX3057 to high-speed mode. When operating in high-speed mode, the MAX3050 and MAX3057 can achieve transmission rates of up to 2Mbps. Line drivers are switched on and off as quickly as possible. However, in this mode, no measures are taken to limit the rise and fall slope of the data signal, allowing for potential EMI emissions. If using the MAX3050 and MAX3057 in high-speed mode, use shielded twistedpair cable to avoid EMI problems.

Slope Control

Connect a resistor from RS to ground to select slope-control mode. (See Table 2.) In slope-control mode, the gates of the line drivers are charged with a controlled current, proportional to the resistor connected to the RS pin. Transmission speed ranges from 40kbps to 500kbps. Controlling the rise and fall slope reduces EMI and allows the use of an unshielded twisted pair or a parallel pair of wires as bus lines. The transfer function for selecting the resistor value is given by:

$$R_{RS} \text{ (k}\Omega\text{)} = 12000/\text{speed (in kbps).}$$

See the Slew Rate vs. R_{RS} graph in the *Typical Operating Characteristics* section.

Shutdown

In shutdown mode, the device is switched off. The outputs are high impedance to ± 80V. The MAX3057 features a pulldown at $\overline{\text{SHDN}}$. If shutdown is forced low and then left floating, the device remains in shutdown until $\overline{\text{SHDN}}$ is forced high.

Table 2. Mode Selection Truth Table

| CONDITION FORCED AT PIN RS | MODE | RESULTING CURRENT AT RS |
|--|---------------|---|
| $V_{RS} < 0.3 \times V_{CC}$ | High speed | $ I_{RS} < 500\mu\text{A}$ |
| $0.4 \times V_{CC} < V_{RS} < 0.6 \times V_{CC}$ | Slope control | $10\mu\text{A} < I_{RS} < 200\mu\text{A}$ |
| $V_{RS} > 0.75 \times V_{CC}$ | Standby | $ I_{RS} < 10\mu\text{A}$ |

Receiver

The receiver reads differential input from the bus lines (CANH, CANL) and transfers this data as a singleended output (RXD) to the CAN controller. It consists of a comparator that senses the difference $\Delta V = (\text{CANH} - \text{CANL})$ with respect to an internal threshold of 0.7V. If this difference is positive (i.e., $\Delta V > 0.7\text{V}$) a logic-low is present at the RXD pin. If negative (i.e., $\Delta V < 0.7\text{V}$), a logic-high is present.

The receiver always echoes the transmitted data.

The CANH and CANL common-mode range is -7V to +12V. RXD is logic high when CANH and CANL are shorted or terminated and undriven. If the differential receiver input voltage (CANH - CANL) is less than or equal to 0.5V, RXD is logic high. If (CANH - CANL) is greater than or equal to 0.9V, RXD is logic low.

Standby

The MAX3050 and MAX3057 transmitters are three-stated, and the receivers are active in standby. This allows the device to read data on the bus while reducing power consumption.

Receivers take up to 10ms to wake up from standby mode. Therefore, the first bits of information read off the bus when coming out of standby can be lost.

Thermal Shutdown

If the junction temperature exceeds +160°C, the device is switched off. The hysteresis is approximately 20°C, disabling thermal shutdown once the temperature reaches +140°C.

AutoShutdown (MAX3050)

To manage power consumption, AutoShutdown puts the device into shutdown mode after it has been inactive for a period of time. The value of an external capacitor ($C_{\overline{SHDN}}$) connected to \overline{SHDN} determines the threshold of inactivity time, after which the AutoShutdown triggers. Floating \overline{SHDN} allows the MAX3050 to automatically change from active mode to shutdown.

Use a 100nF capacitor as $C_{\overline{SHDN}}$ for a typical threshold of 20ms. Change the capacitor value according to the following equation to change the threshold time period.

$$C_{\overline{SHDN}}(nF) = \frac{I_{\overline{SHDN}}(mA) \times time(\mu s)}{(V_{CC} - V_{\overline{SHDN}})}$$

Drive \overline{SHDN} high to turn the MAX3050 on and disable AutoShutdown.

When the MAX3050 is in shutdown mode, only the wake-up comparator is active, and normal bus communication is ignored. The remote master of the CAN system wakes up the MAX3050 with a signal greater than 9V on CANH. Internal circuitry in the MAX3050 puts the device in normal operation by driving \overline{SHDN} high.

The MAX3057 does not have the AutoShutdown feature.

Driver Output Protection

The MAX3050 and MAX3057 have several features that protect them from damage. Thermal shutdown switches off the device and puts CANH and CANL into high impedance if the junction temperature exceeds +160°C. Thermal protection is needed particularly when a bus line is short-circuited. The hysteresis for the thermal shutdown is approximately 20°C.

Additionally, a current-limiting circuit protects the transmitter output stage against short-circuit to positive and negative battery voltage. Although the power dissipation increases during this fault condition, this feature prevents destruction of the transmitter output stage.

Applications Information

Reduced EMI and Reflections

In slope-control mode, the CANH and CANL outputs are slew-rate limited, minimizing EMI and reducing reflections caused by improperly terminated cables. In general, a transmitter’s rise time relates directly to the length of an unterminated stub, which can be driven with only minor waveform reflections. The following equation expresses this relationship conservatively:

$$Length = t_{RISE} / (15ns/ft)$$

where t_{RISE} is the transmitter’s rise time.

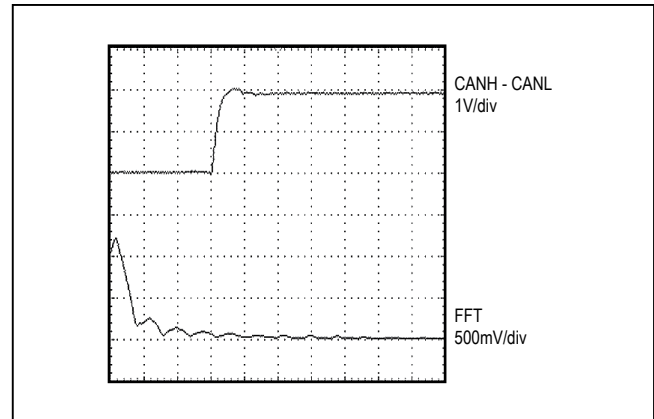


Figure 5. FFT Dominant Bus at 2Mbps layout.

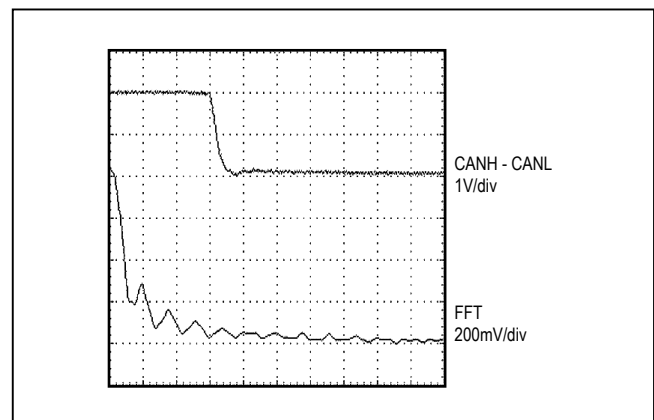


Figure 6. FFT Recessive Bus at 2Mbps

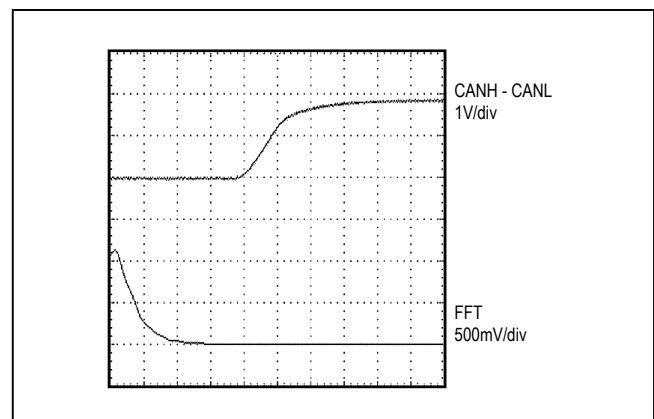


Figure 7. FFT Dominant Bus at 500kbps

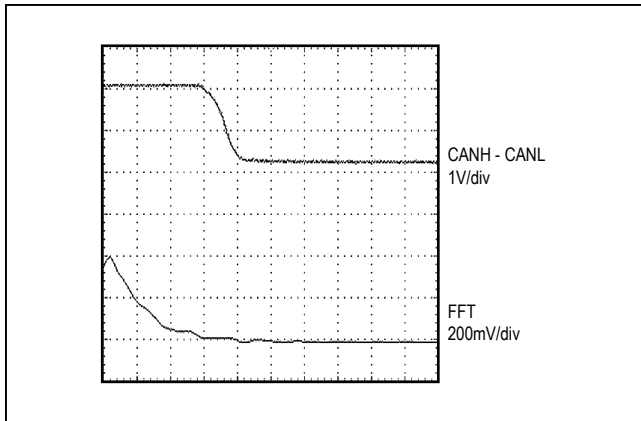


Figure 8. FFT Recessive Bus at 500kbps

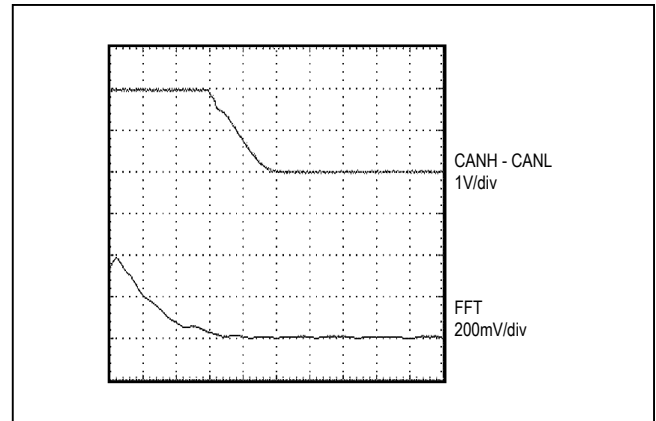


Figure 10. FFT Recessive Bus at 62.5kbps

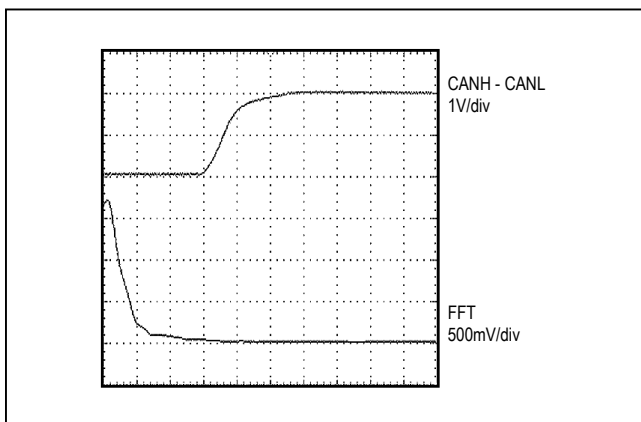


Figure 9. FFT Dominant Bus at 62.5kbps

The MAX3050 and MAX3057 require no special layout considerations beyond common practices. Bypass V_{CC} to GND with a 1 μ F ceramic capacitor mounted close to the IC with short lead lengths and wide trace widths.

Chip Information

TRANSISTOR COUNT: 1214
PROCESS: BiCMOS

Package Information

For the latest package outline information and land patterns (footprints), go to www.maximintegrated.com/packages. Note that a "+", "#", or "-" in the package code indicates RoHS status only. Package drawings may show a different suffix character, but the drawing pertains to the package regardless of RoHS status.

| PACKAGE TYPE | PACKAGE CODE | OUTLINE NO. | LAND PATTERN NO. |
|--------------|--------------|-------------------------|-------------------------|
| 8 SOIC | S8+5 | 21-0041 | 90-0096 |

Revision History

| REVISION NUMBER | REVISION DATE | DESCRIPTION | PAGES CHANGED |
|-----------------|---------------|-------------------------------|---------------|
| 0 | 10/02 | Initial release | — |
| 1 | 6/14 | Removed automotive references | 1, 8 |

For pricing, delivery, and ordering information, please contact Maxim Direct at 1-888-629-4642, or visit Maxim Integrated's website at www.maximintegrated.com.

Maxim Integrated cannot assume responsibility for use of any circuitry other than circuitry entirely embodied in a Maxim Integrated product. No circuit patent licenses are implied. Maxim Integrated reserves the right to change the circuitry and specifications without notice at any time. The parametric values (min and max limits) shown in the Electrical Characteristics table are guaranteed. Other parametric values quoted in this data sheet are provided for guidance.