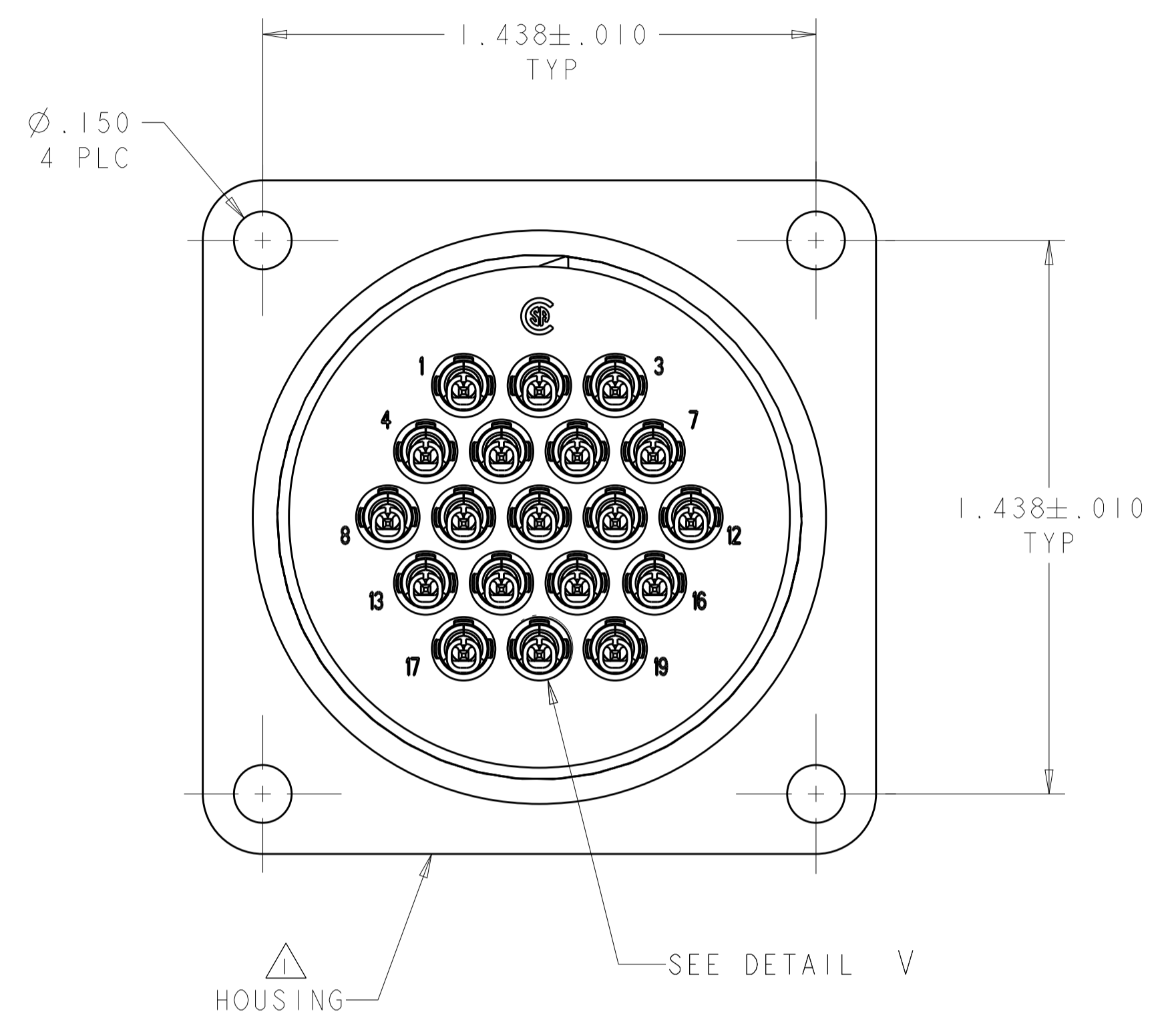
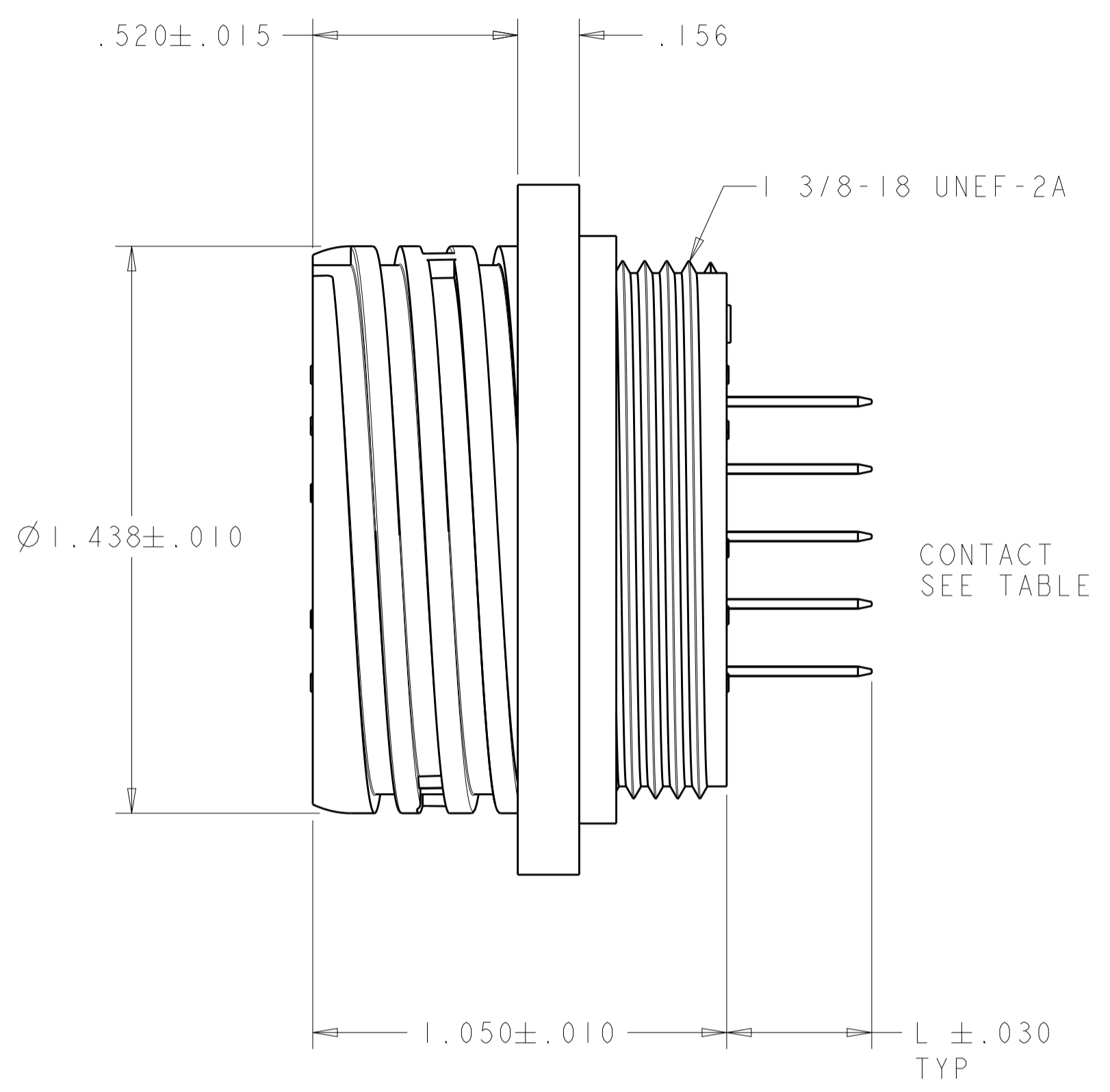
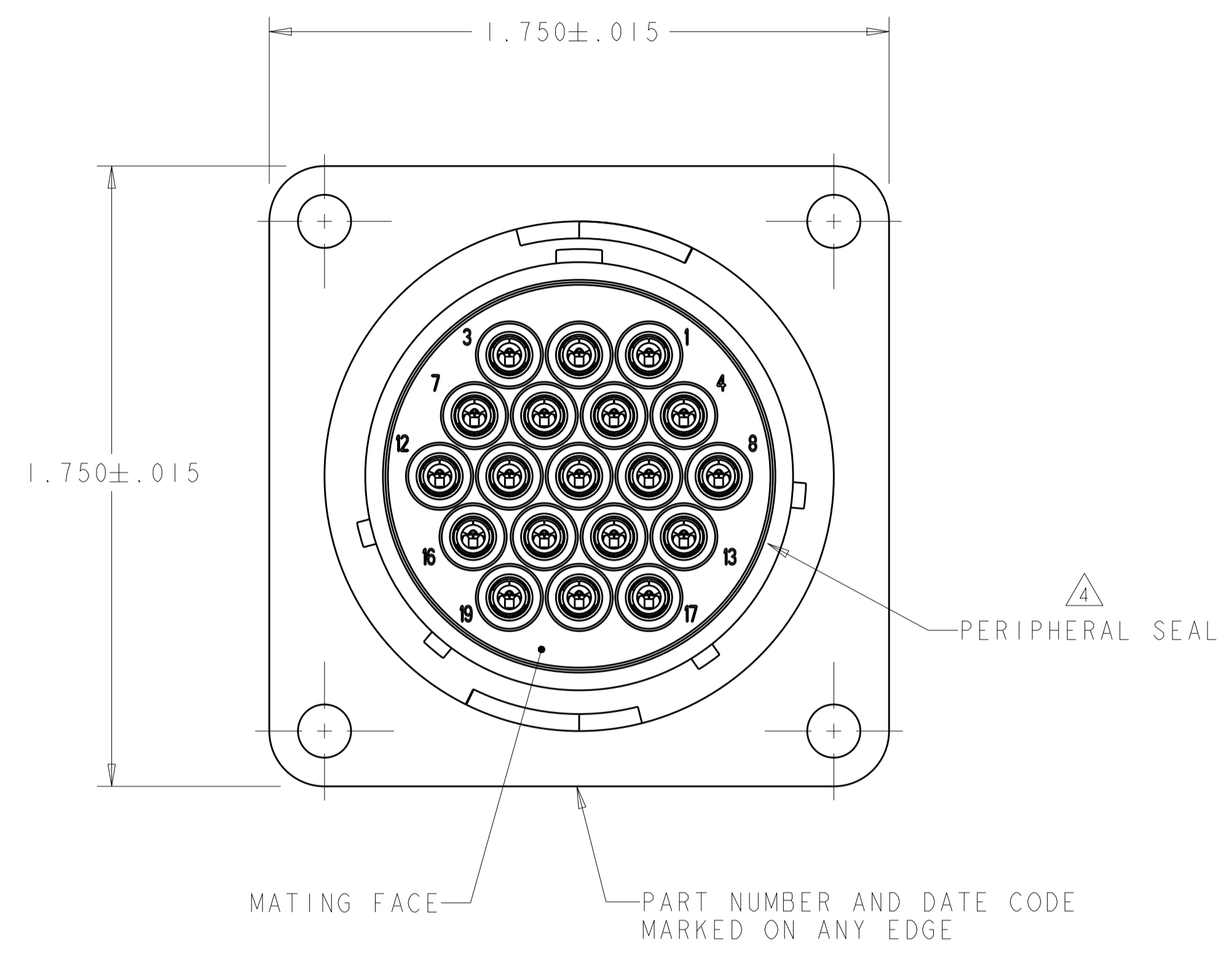


REVISIONS				
P.	LTN	DESCRIPTION	DATE	DWN APVD
M2		REVISED PER ECO-16-004800	10SEP2016	NK MZ
N		REVISED PER ECO-16-018356	23MAR2017	RS MZ



- △ HOUSING: NYLON, UL 94 V-0 RATED, COLOR: BLACK.
- △ CONTACT:  
 BODY - BRASS, .000030 MIN GOLD FOR A LENGTH OF .200 MIN FROM MATING END, GOLD FLASH ON REMAINDER, BOTH OVER .000050 MIN NICKEL.  
 POST - BRASS, .000100 MIN TIN-LEAD OVER .000050 MIN NICKEL.
- △ CONTACT:  
 BODY - BRASS, .000100 MIN TIN-LEAD OVER .000050 MIN NICKEL.  
 POST - BRASS, .000100 MIN TIN-LEAD OVER .000050 MIN NICKEL.
- △ PERIPHERAL SEAL: ELASTOMER, COLOR: GRAY.
- △ .009 MAXIMUM CONTACT LEAD-IN SEAM GAP PERMISSIBLE ON MATING FACE END.
- △ CONTACT:  
 BODY - BRASS, .000030 MIN GOLD OVER .000030 MIN NICKEL.  
 POST - BRASS, .000100 MIN TIN-LEAD OVER .000050 MIN NICKEL.
- △ CONTACT:  
 BODY - BRASS, .000100 MIN TIN OVER .000050 MIN NICKEL.  
 POST - BRASS, .000100 MIN TIN OVER .000050 MIN NICKEL.
- △ CONTACT:  
 BODY - BRASS, .000030 MIN GOLD FOR A LENGTH OF .200 MIN FROM MATING END, GOLD FLASH ON REMAINDER, BOTH OVER .000050 MIN NICKEL.  
 POST - BRASS, .000100 MIN TIN OVER .000050 MIN NICKEL.
- △ OBSOLETE PARTS: OBSOLETE CIS STREAMLINING PER D.RENAUD/D.SINISI

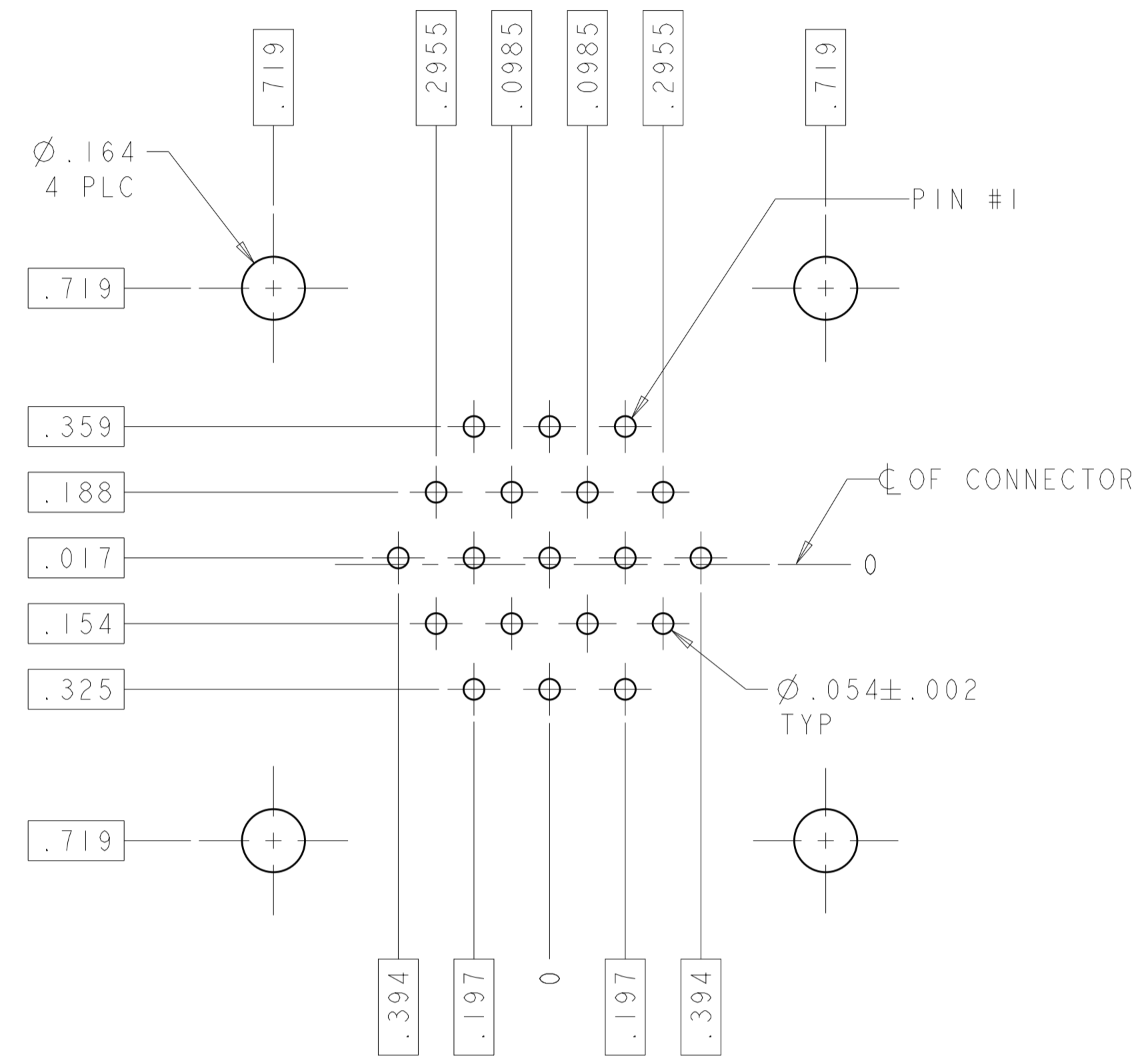
PLC	YES	NO	POSITIONS	PART NUMBER
8	YES	.368	1-4, 7, 8, 10-12, 14-19	1-213781-0
8	NO	.557	ALL	-213781-9
7	NO	.348	ALL	-213781-8
7	YES	.368	1-4, 7, 8, 10-12, 16-19	-213781-7
6	YES	.368	1-4, 7, 8, 10-12, 16-19	-213781-6
3	YES	.368	1-4, 7, 8, 10-12, 16-19	-213781-5
3	YES	.368	1-4, 7, 8, 10-12, 16-19	-213781-4
3	YES	.368	1-4, 7, 8, 10-12, 16-19	213781-2
2	NO	.557	ALL	-213781-1

THIS DRAWING IS A CONTROLLED DOCUMENT.

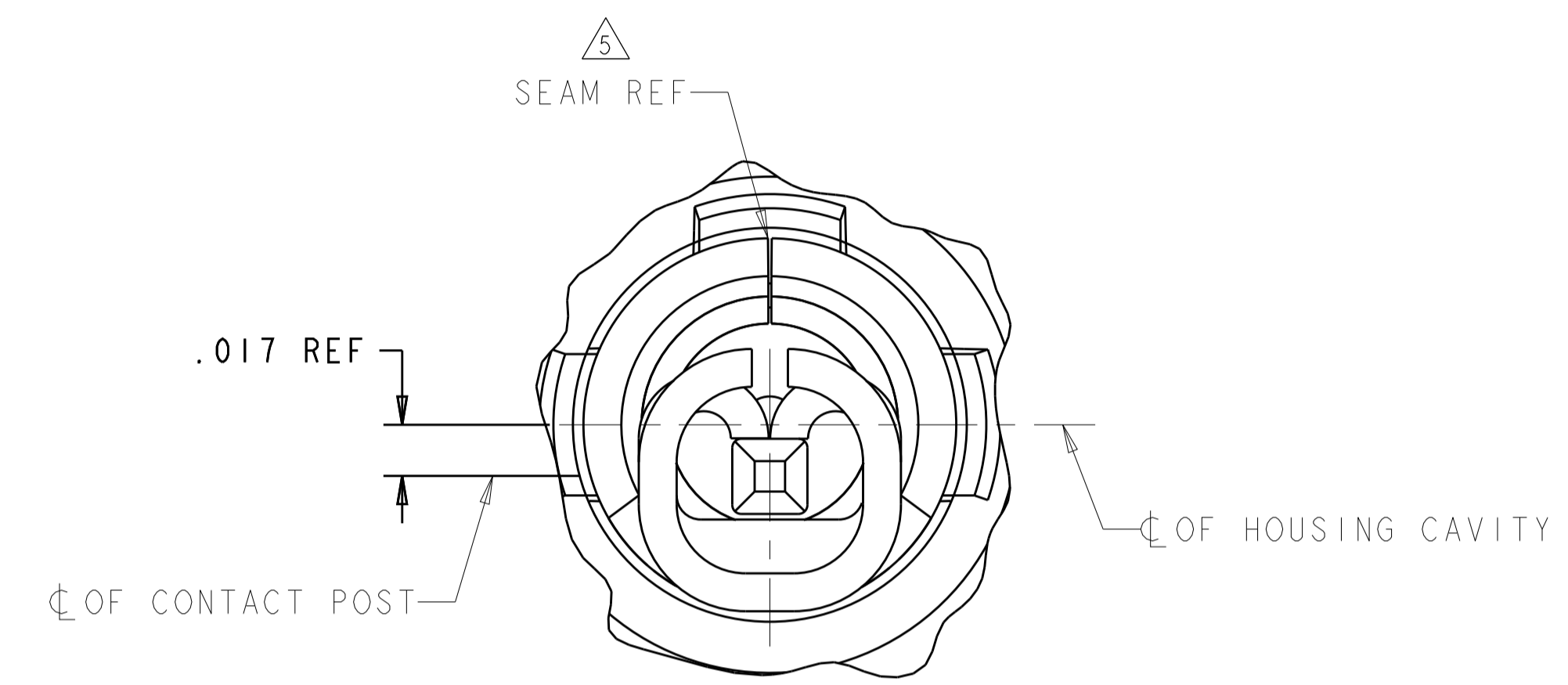
DIMENSIONS: INCHES	TOLERANCES UNLESS OTHERWISE SPECIFIED:	DWN S. WELDON ZIMAY2003	CHK S. HEADER ZIMAY2003	APVD S. HEADER ZIMAY2003	NAME RECEPTACLE ASSEMBLY, POSTED, REVERSE SEX, SERIES 1, 23-19, CPC
0 PLC ±.0	1 PLC ±.00	2 PLC ±.00	3 PLC ±.00	4 PLC ±.0000	ANGLES ±.0000
MATERIAL	FINISH	WEIGHT	SIZE 114-10038	SCALE 3:1	SHEET 1 OF 2
PERIPHERAL SEAL L		CONTACT FINISH		SELECT LOADED IN POSITIONS	
CUSTOMER DRAWING		A100779		C=213781	

4805 (3/13)

REVISIONS				
P.	LTN	DESCRIPTION	DATE	APP'D
-	-	SEE SHEET 1	-	-



RECOMMENDED PC BOARD LAYOUT



THIS DRAWING IS A CONTROLLED DOCUMENT.		DWN S. WELDON ZIMAY2003	 TE Connectivity	NAME RECEPTACLE ASSEMBLY, POSTED, REVERSE SEX, SERIES 1, 23-19, CPC -
DIMENSIONS: INCHES		CHK S. HEADER ZIMAY2003		
TOLERANCES UNLESS OTHERWISE SPECIFIED: 0 PLC ±. 1 PLC ±0.0 2 PLC ±0.00 3 PLC ±0.000 4 PLC ±0.0000 ANGLES ±.		APP'D S. HEADER ZIMAY2003		
		PRODUCT SPEC 108-10024 APPLICATION SPEC 114-10038 WEIGHT - CUSTOMER DRAWING		
MATERIAL	FINISH	SIZE A100779	CAGE CODE C=213781	DRAWING NO 213781
SCALE 3:1			SHEET 2 OF 2	REV N