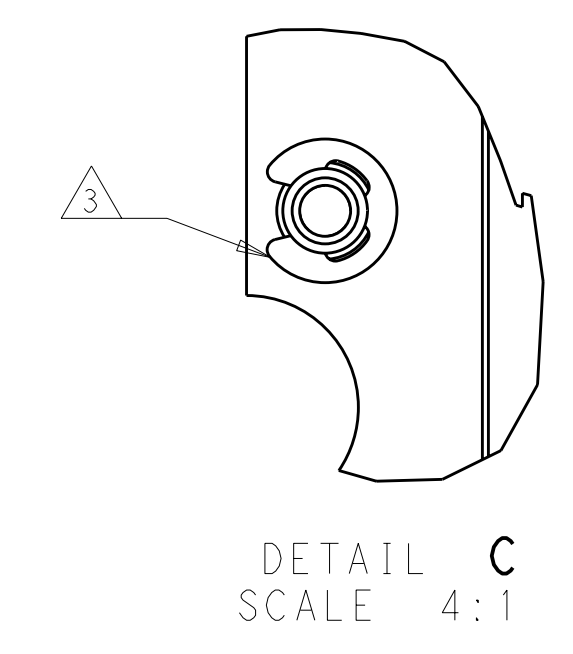
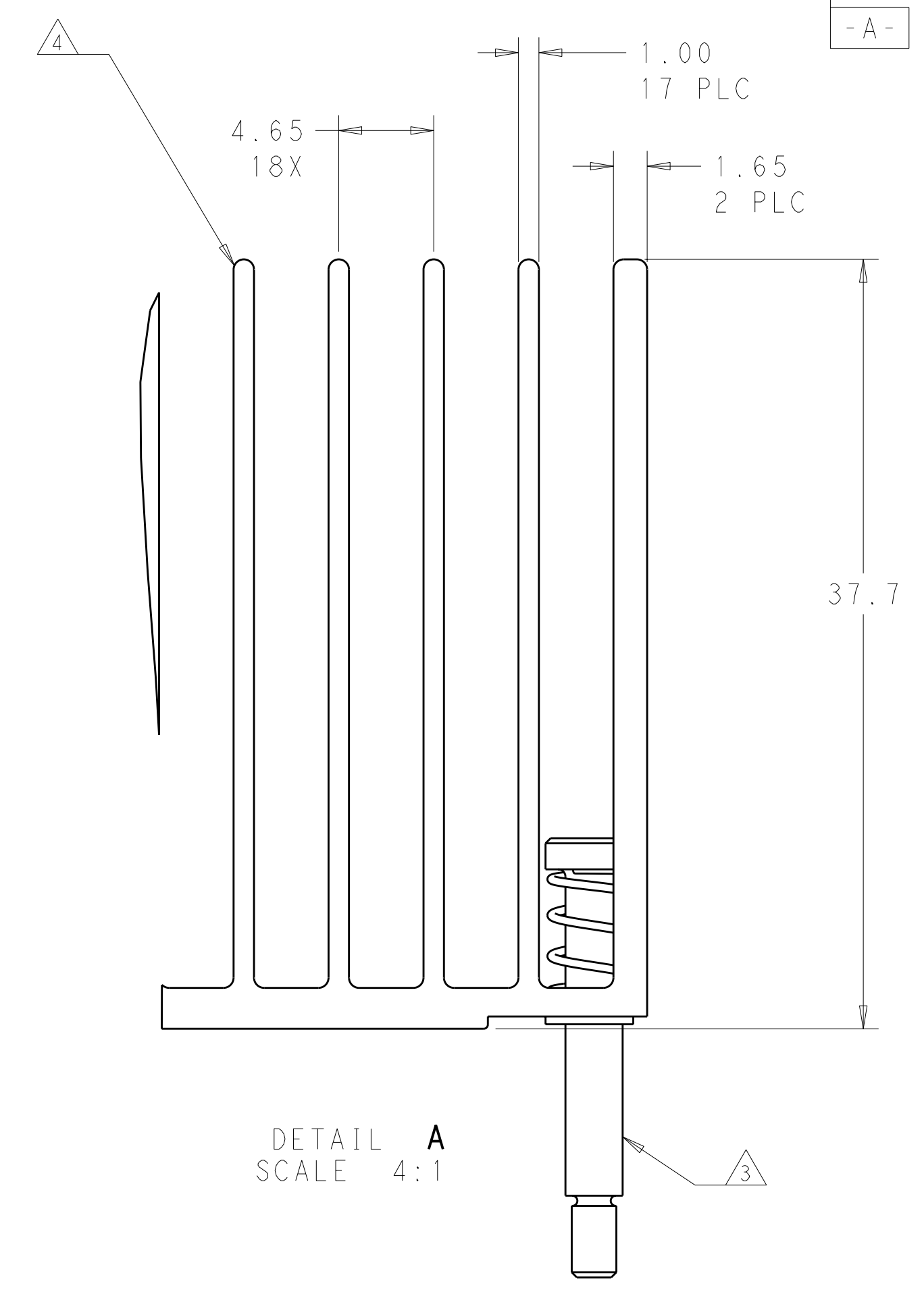
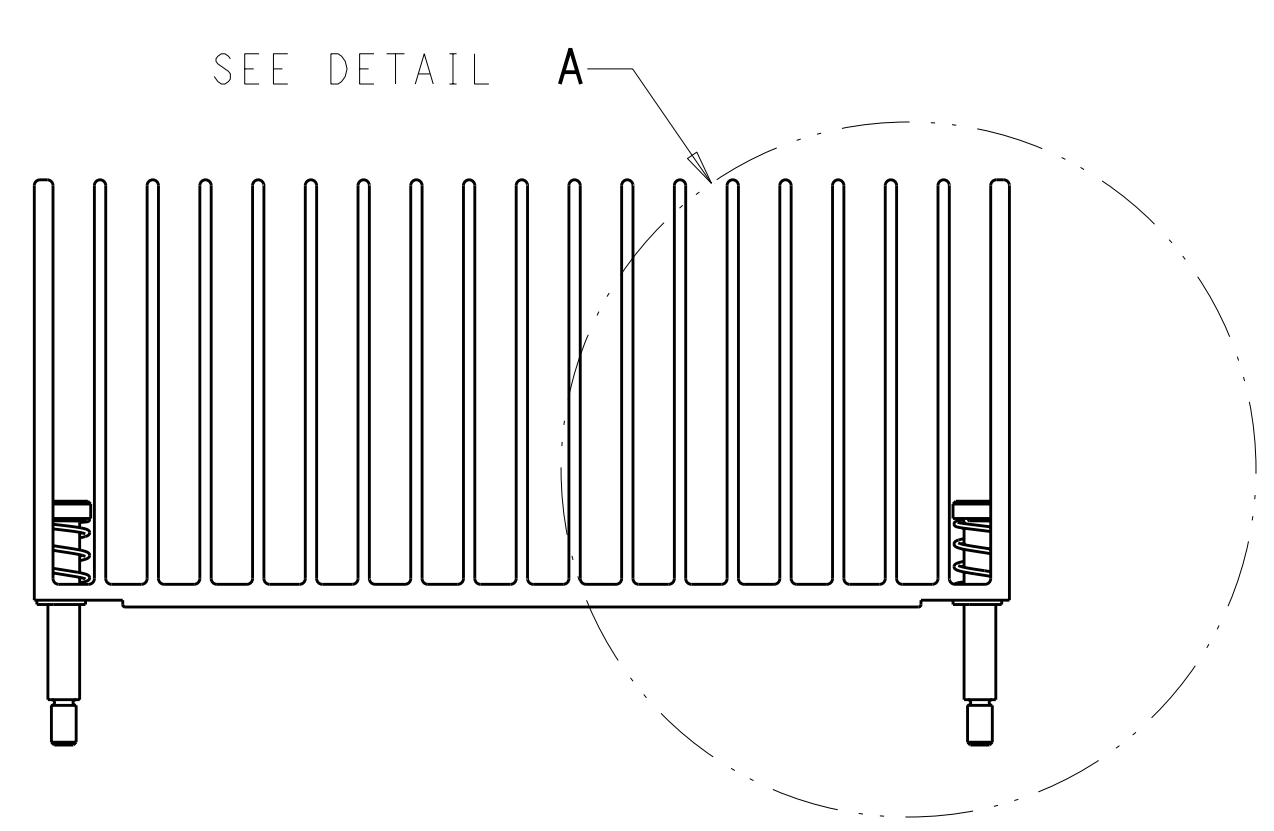
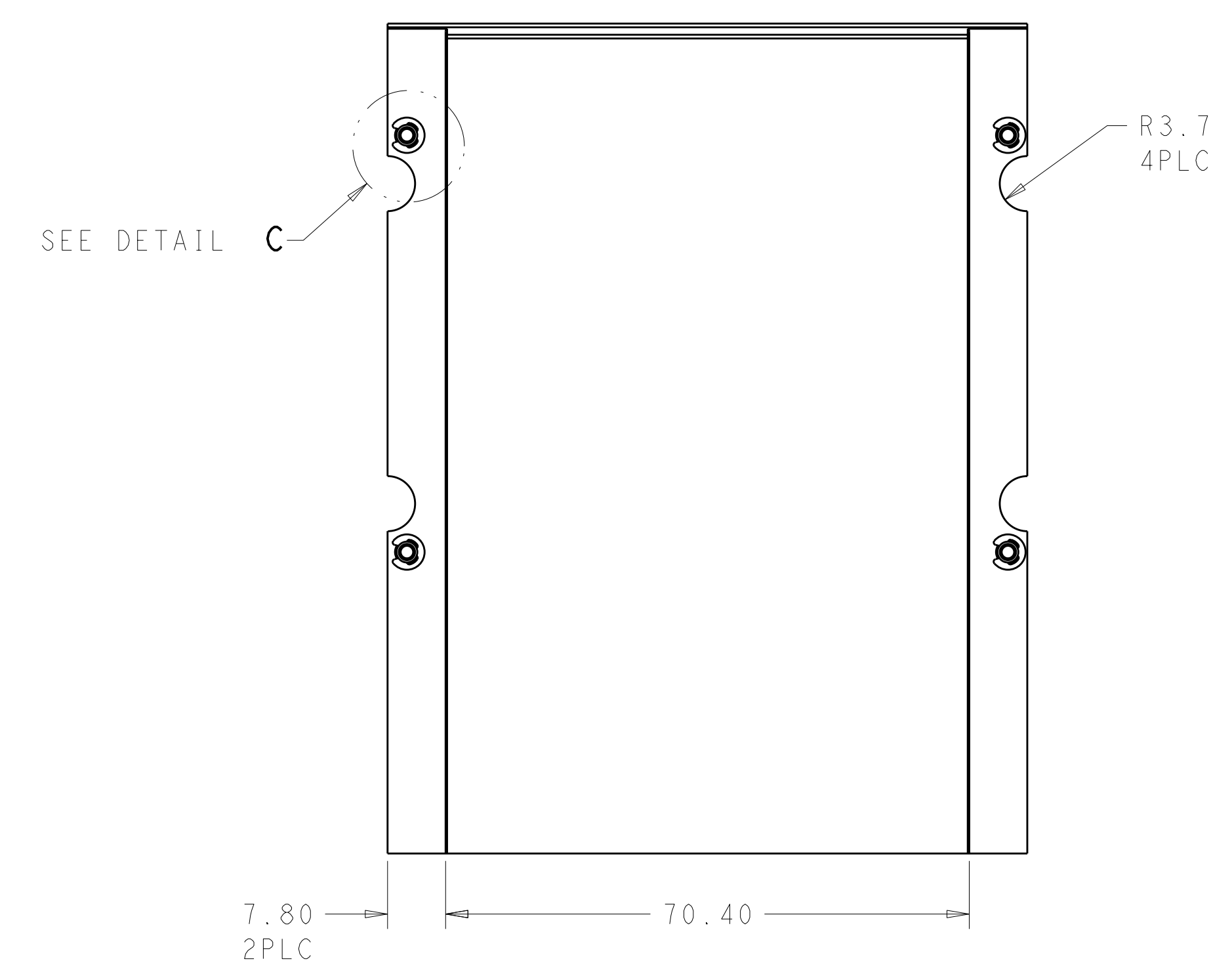
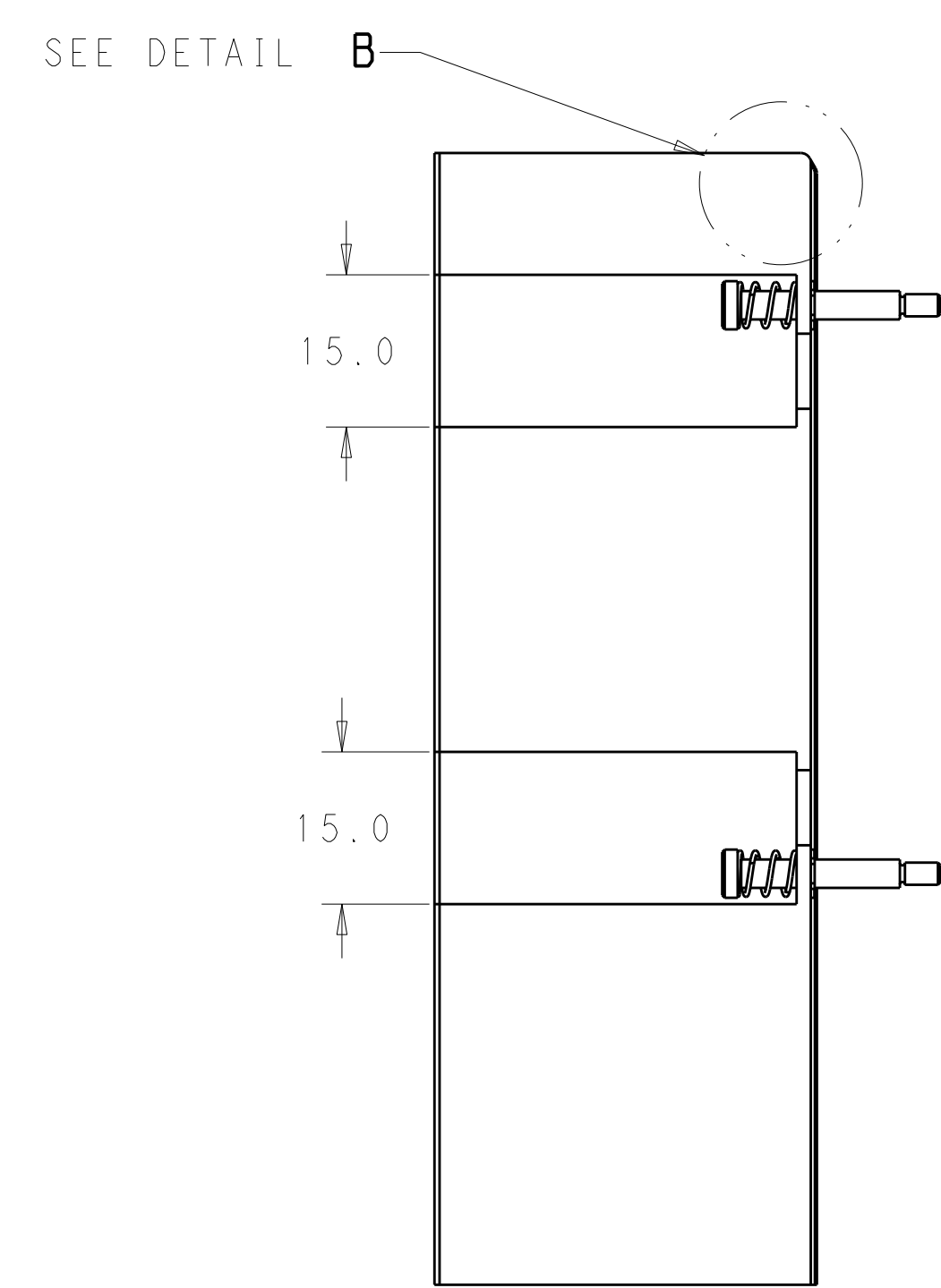
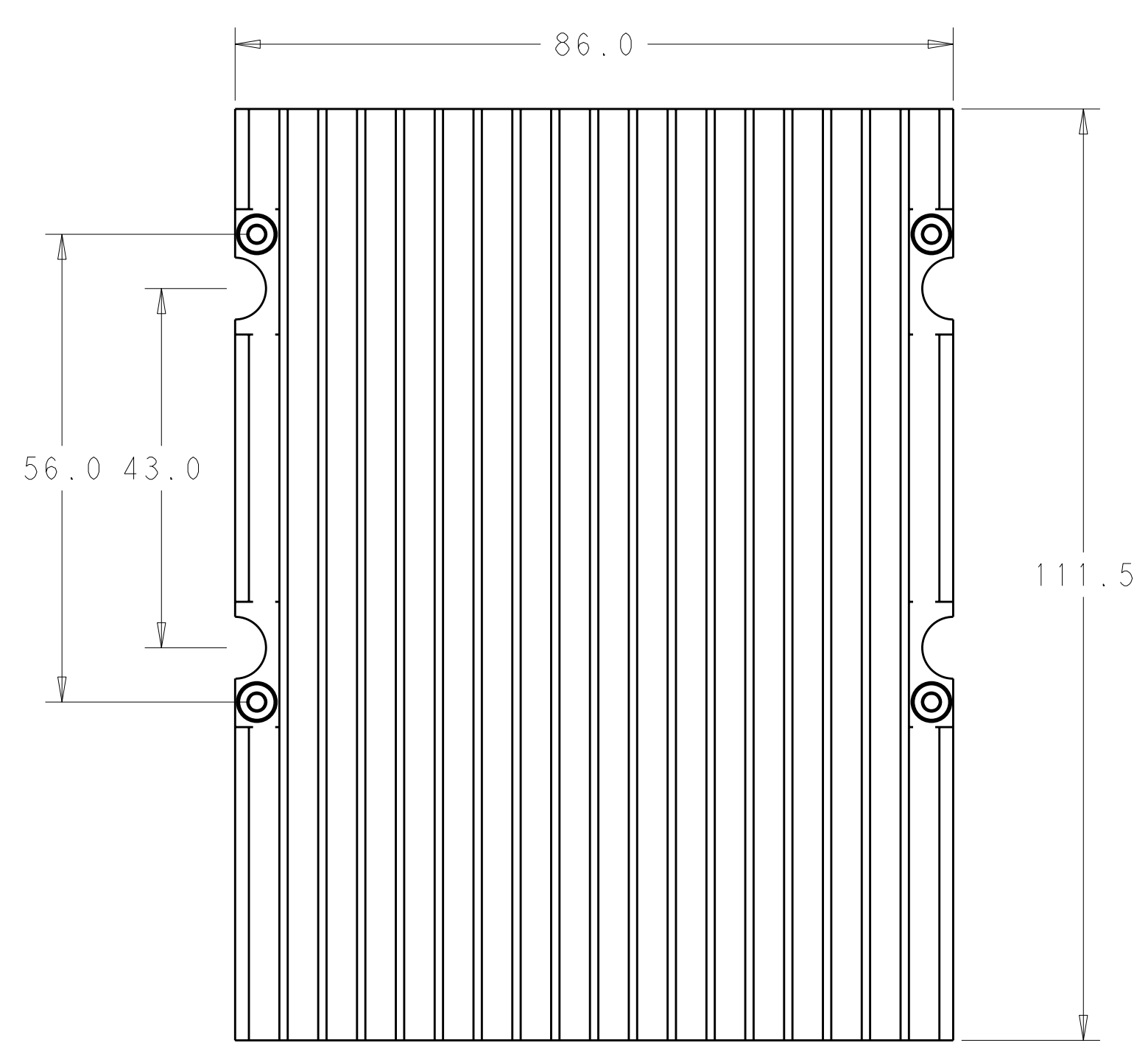
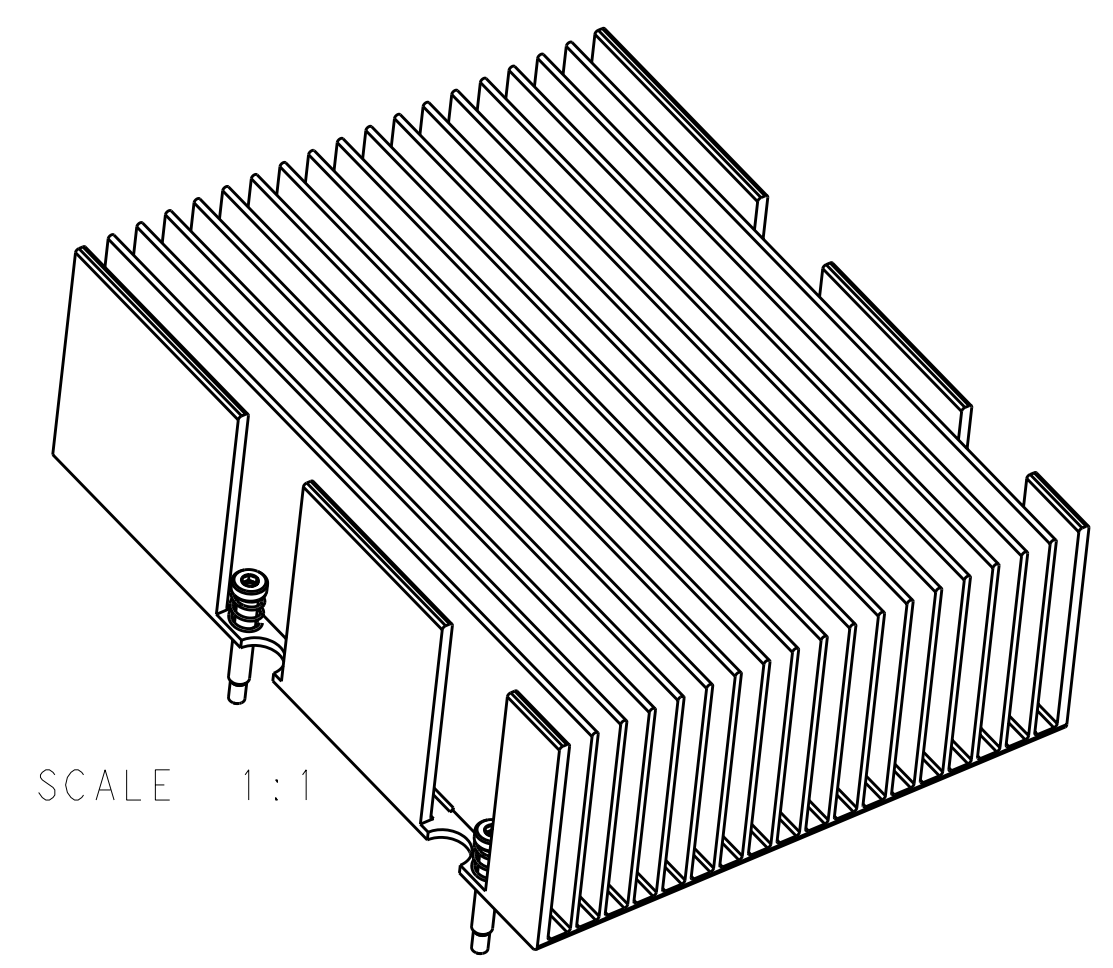
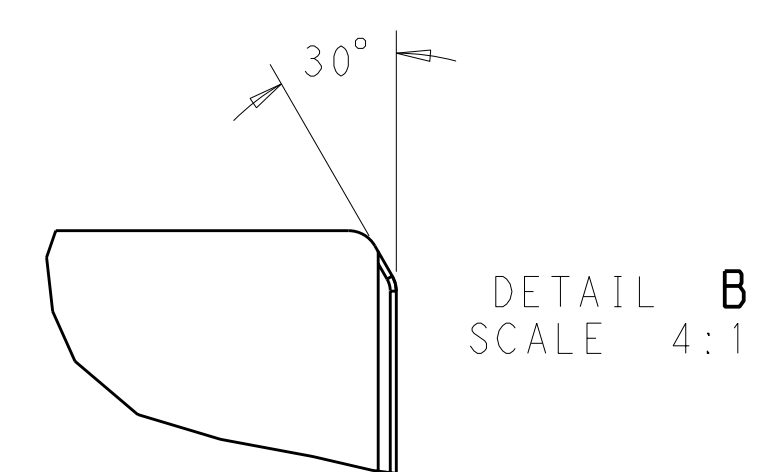


LOC	DIST	P	LTB	DESCRIPTION	DATE	DWN	APVD
-	-	1		DRAWING CREATION	16SEP2009	JE	JE
		A		REMOVE UNUSED PRELIMINARY P/N'S	21SEP2009	-	JE
		B		REVISED PER ECO-09-024638	03NOV2009	DH	JE



- ① HEATSINK MATERIAL: ALUMINUM ALLOY
- ② FINISH: ANNOIDIZED
- ③ 2-56 SHOULDER BOLT AND SPRING PRE-ASSEMBLED AND HELD IN PLACE WITH CLIP
- ④ FULL ROUND PERMITTED ON TOP OF HEATSINK FIN

2110903-2
 PART NUMBER

DIMENSIONS:		TOLERANCES UNLESS OTHERWISE SPECIFIED:		DWN 17SEP2009		Tyco Electronics	
mm	0 PLC ±0.5	1 PLC ±0.5	2 PLC ±0.13	CAX J EARY	NAME	100 GIG CFP HEAT SINK	Hamersburg, PA 17105-3608
	3 PLC ±0.13	4 PLC ±0.001	ANGLES ±0.001	APVD	PRODUCT SPEC	FINS PARALLEL TO MATING DIRECTION	
	FINISH			APVD	APPLICATION SPEC	SIZE CAGE CODE DRAWING NO	RESTRICTED TO
MATERIAL	FINISH			WEIGHT	A100779C=2110903		GOOG
①	②			CUSTOMER DRAWING	SCALE 3:2	SHEET 1 OF 1	REV B