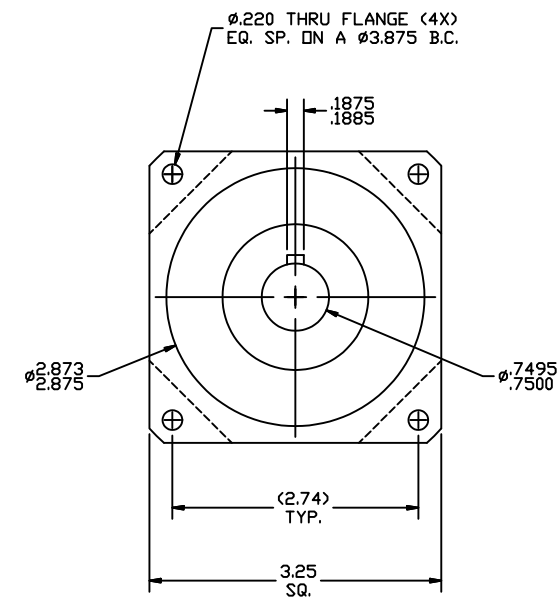
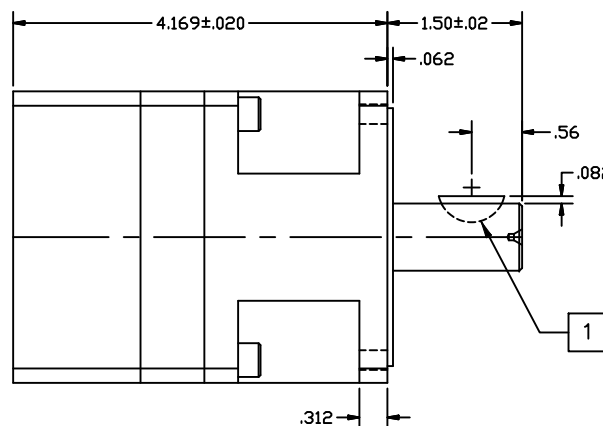
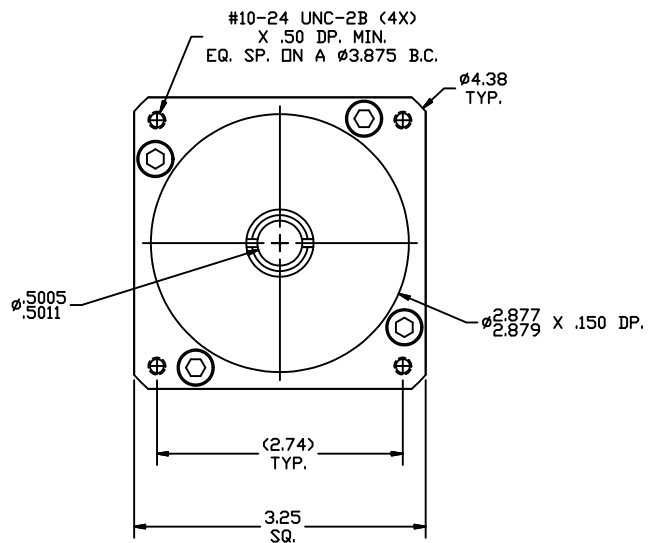


REVISIONS			
REV	DESCRIPTION	DATE	APPROVED
A	INITIAL RELEASE ECO 6709	2/22/13	J Kordik



NOTES: UNLESS OTHERWISE SPECIFIED

- 1 #606 WOODRUFF KEY.
2. 34PL005.5 RATIO- 5.5:1
3. FOR TECHNICAL DETAILS, CONTACT APPLIED MOTION PRODUCTS.

TOLERANCES	THIRD ANGLE PROJECTION	APPLIED MOTION PRODUCTS, INC.	
DECIMALS: [MM] INCH X.XXX = ± .005 X.XX = ± [0.13] .010 X.X = ± [0.25] .020 ANGLES: MACH. = ± 5° CHAM. = ± 5°			
COMPUTER DATA BASE DRAWING	APPROVALS		
	DRAWN R. JONEZ	2/22/13	OUTLINE, GEAR HEAD, PL34, 1 STAGE
	CHECKED		
	APPROVED		B DWG NO. 34PL005.5 REV A
		SCALE: FULL	SHEET 1 OF 1