



Certifications & Ratings

- UL 1598 (E156890)
- IP66
- NEMA 4X
- RoHS Compliant w/ 6C exemption

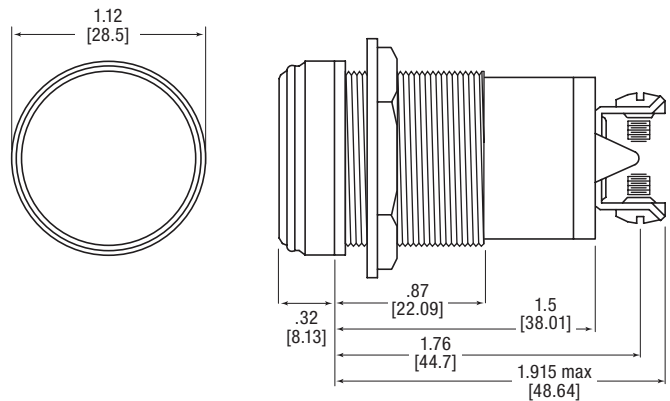
Application

The 556 Series LED Panel Mount Indicators incorporate both InGaN and AlInGaP technologies to offer maximum light output. This is a highly durable package, designed to withstand outdoor applications susceptible to rain, dust and sunlight:

- Instrument panels
 - Safety applications
 - UL 508 panel applications
 - Agricultural controls
 - Power Generators
 - Environmental Monitoring Equipment
 - Ground support vehicles
 - Pump system controllers
 - Transportation - rail, bus, airline
 - Lane control
 - Display lighting
- ...and many more!

Dimensions

inches [mm]



Mechanical information

Mounting Hole Size: 1.0" (25.4 mm)

Max Panel Thickness: 0.600" (15.24 mm)

Mounting Torque: 40 in-lbs

Specifications

Voltage Options: 12 to 125VDC, and 125, 230VAC (no resistor required)

Operating Temp: -30 °C to +85 °C (-22 °F to +185 °F)

Storage Temp: -40 °C to +100 °C (-40 °F to +212 °F)

Electrical Connection: 6-32 screw terminals

Housing: Brass—White or Black Nickel Plated

Terminals: Brass — Hot solder dip per Mil-F-14072D, M258, Type II

Lens Material: Clear UV Stabilized Polycarbonate (UL 94V-0)

Lock Washer: Phosphor Bronze — White or Black Nickel Plated

Nut: Brass—White or Black Nickel Plated

Ordering Information

556 Series — Daylight Viewable

Part Number Guide 556 Series

RoHS Compliant

5	5	6	-	1	X	X	X	-	X	1	4	F
				Color		Voltage						
						3	12VDC					
				● Red		5	0	4	24VDC	Plating		
				● Green		6	0	8	37.5VDC	2 Black		
				● Cyan		6	8	6	72VDC	3 White		
				● Yellow		7	0	7	125VDC*			
				● Blue		8	0	5	125VAC*			
				● Orange		9	0	9	230VDC*	*white nickel only		

White Nickel	Black Nickel	Color	Voltage	Typ Current (mA)	Typical Intensity (mcd)
556-1503-314F	556-1503-214F	● Red	12 VDC	95	27,250
556-1603-314F	556-1603-214F	● Green		60	71,500
556-1683-314F	556-1683-214F	● Cyan		60	48,250
556-1703-314F	556-1703-214F	● Yellow		95	17,500
556-1803-314F	556-1803-214F	● Blue		60	24,000
556-1903-314F	556-1903-214F	● Orange		95	22,250
556-1504-314F	556-1504-214F	● Red	24 VDC	46	27,250
556-1604-314F	556-1604-214F	● Green		32	71,500
556-1684-314F	556-1684-214F	● Cyan		32	48,250
556-1704-314F	556-1704-214F	● Yellow		46	17,500
556-1804-314F	556-1804-214F	● Blue		32	24,000
556-1904-314F	556-1904-214F	● Orange		46	22,250
556-1508-314F	556-1508-214F	● Red	37.5 VDC	20	26,750
556-1608-314F	556-1608-214F	● Green		16	80,000
556-1708-314F	556-1708-214F	● Yellow		20	18,000
556-1506-314F	556-1506-214F	● Red	72 VDC	18.5	20,500
556-1606-314F	556-1606-214F	● Green		16	65,500
556-1706-314F	556-1706-214F	● Yellow		20	15,000
556-1507-314F	—	● Red	125 VDC	10	14,000
556-1607-314F	—	● Green			44,750
556-1707-314F	—	● Yellow			8,250
556-1505-314F	—	● Red	125 VAC	10.5	13,500
556-1605-314F	—	● Green		9.5	43,750
556-1685-314F	—	● Cyan		9.5	32,000
556-1705-314F	—	● Yellow		10.5	9,000
556-1805-314F	—	● Blue		9.5	16,000
556-1905-314F	—	● Orange		10.5	11,000
556-1509-314F	—	● Red		230 VAC	7
556-1609-314F	—	● Green	43,750		
556-1709-314F	—	● Yellow	9,000		
556-1809-314F	—	● Blue	16,000		
556-1909-314F	—	● Orange	11,000		

Dialight reserves the right to make changes at any time in order to supply the best product possible. The most current version of this document will always be available at: www.dialightsignalsandcomponents.com

Warranty Statement: Except for the warranty expressly provided for [herein/above/below], Dialight disclaims any and all other warranties, express or implied, including, without limitation, any warranties of merchantability, fitness for a particular purpose, title, and noninfringement.