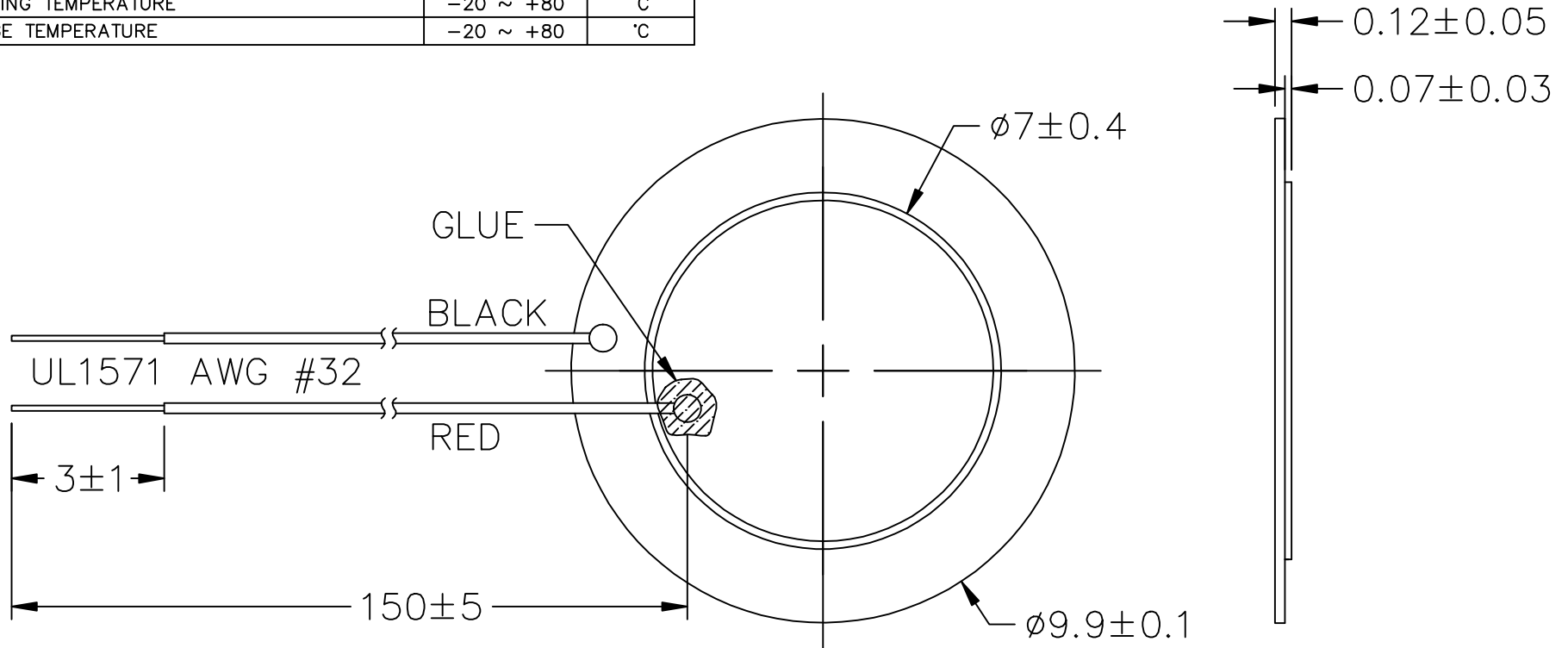


THIS DOCUMENT CONTAINS DATA PROPRIETARY TO PROJECTS UNLIMITED, INC. ANY USE OR REPRODUCTION, IN ANY FORM, WITHOUT PRIOR WRITTEN PERMISSION OF PROJECTS UNLIMITED, INC. IS PROHIBITED.
 ©2005, Projects Unlimited Inc.

SPECIFICATIONS


PARAMETERS	VALUES	UNITS
RESONANT FREQUENCY	7,000±600	Hz
RESONANT IMPEDANCE (MAX)	1,000	Ohm
MAX INPUT VOLTAGE	15	Vp-p
CAPACITANCE @ 1kHz	10,000±30%	pF
PLATE MATERIAL	BRASS	-
OPERATING TEMPERATURE	-20 ~ +80	°C
STORAGE TEMPERATURE	-20 ~ +80	°C

REVISIONS			
LTR	DESCRIPTION	DATE	APPROVED
-	RELEASED FROM ENGINEERING	2/25/09	



NOTES:

1. ALL DIMENSIONS ARE IN MILLIMETERS.
2. SPECIFICATION SUBJECT TO CHANGE OR WITHDRAWAL WITHOUT NOTICE.
3. THIS PART IS RoHS 2002/95/EC COMPLIANT.

UNLESS OTHERWISE SPECIFIED: DIMENSIONS ARE IN MILLIMETERS, TOLERANCES ARE ±0.5 AND ANGLES ARE ±3°.		 A Division of Projects Unlimited	6300 Sand Lake Road Dayton, Ohio 45414
APPROVALS	DATE		
DRAWN	J.D.	2/09	BENDER DRAWING NO. AB1070B-LW150-R
CHECKED	C.W.	2/09	
APPROVED	B.R.	2/09	
FILE NAME	AB1070B-LW150-R.DWG	SIZE	A
		SCALE:	N.T.S.
		SHEET 1 OF 1	