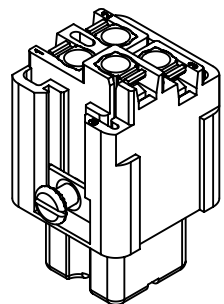
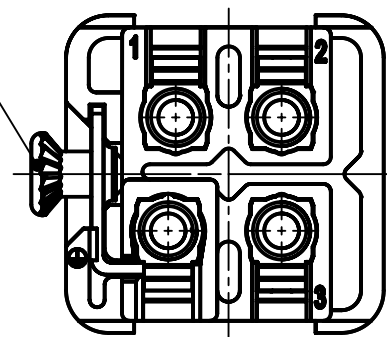


insert fixing screw M3x6
separately enclosed



	All Dimensions in mm Original Size DIN A4	Scale		Free size tol.		Ref.	
		2:1				Sub.	
	All rights reserved Department EL PD - DE	Created by	Inspected by	Standardisation	Date	State	
		ILJIN	FERDERERA	SCHMIDTM	2014-04-10	Final Release	
HARTING Electric GmbH & Co. KG D-32339 Espelkamp		Title				Doc-Key / ECM-Nr.	
		Han 3A female insert Quick-Lock 1,5mm ²				100216034/UGD/002/B 500000072949	
		Type	Number		Rev.	Page	
		TB	09 20 003 2734		B	1/1	

Mouser Electronics

Authorized Distributor

Click to View Pricing, Inventory, Delivery & Lifecycle Information:

[HARTING:](#)

['09200032734](#) [09200032734](#)