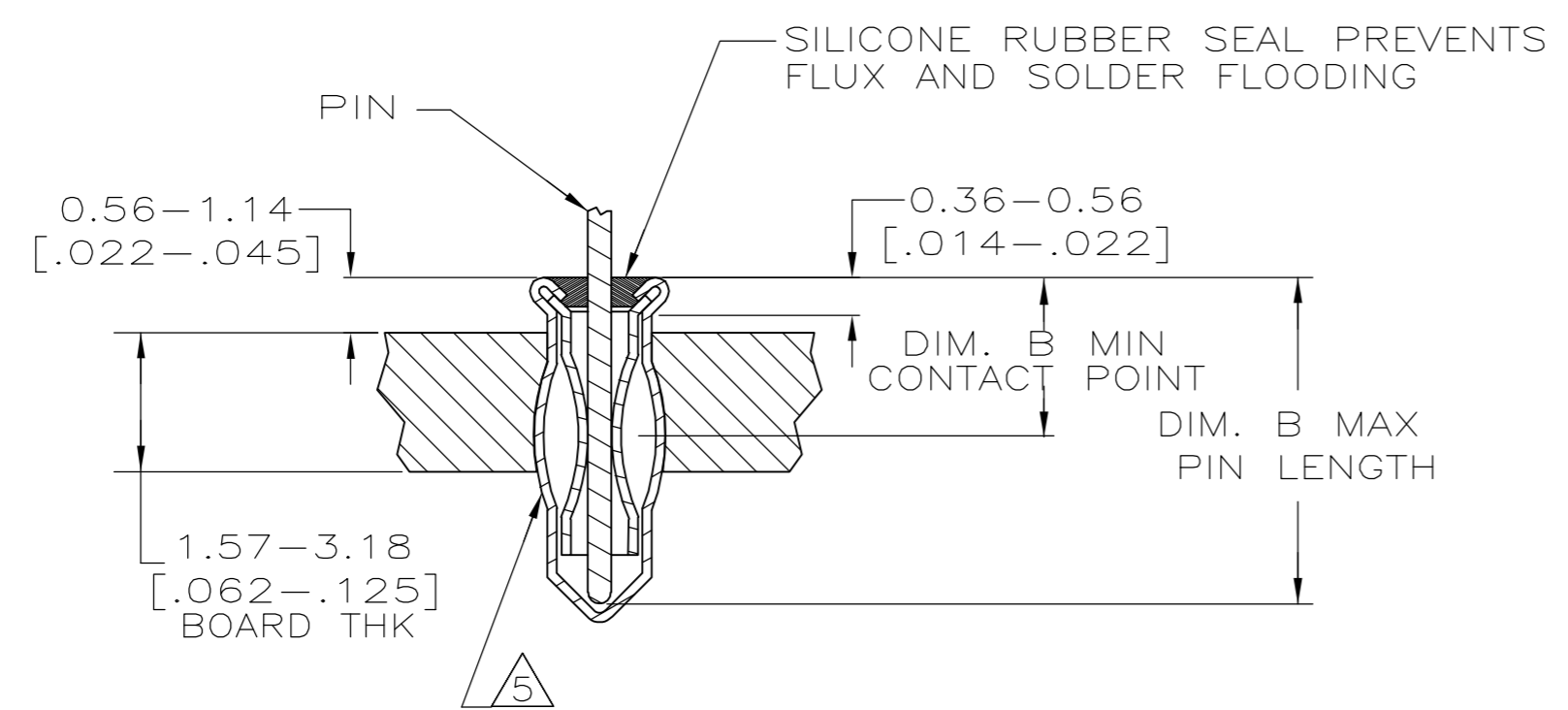
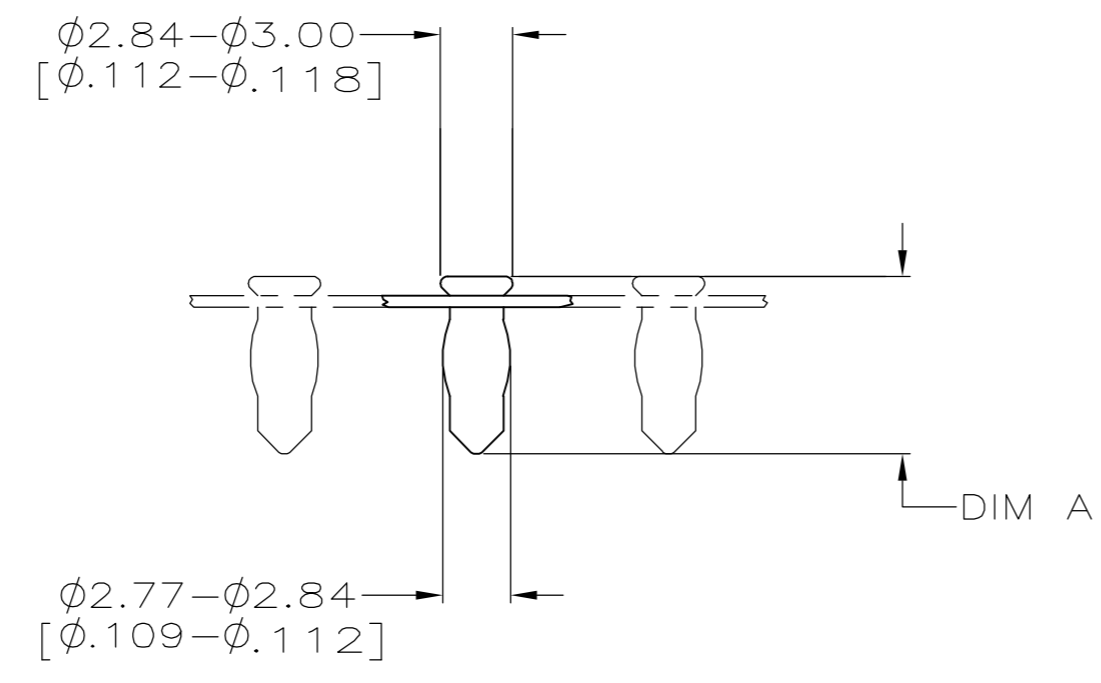
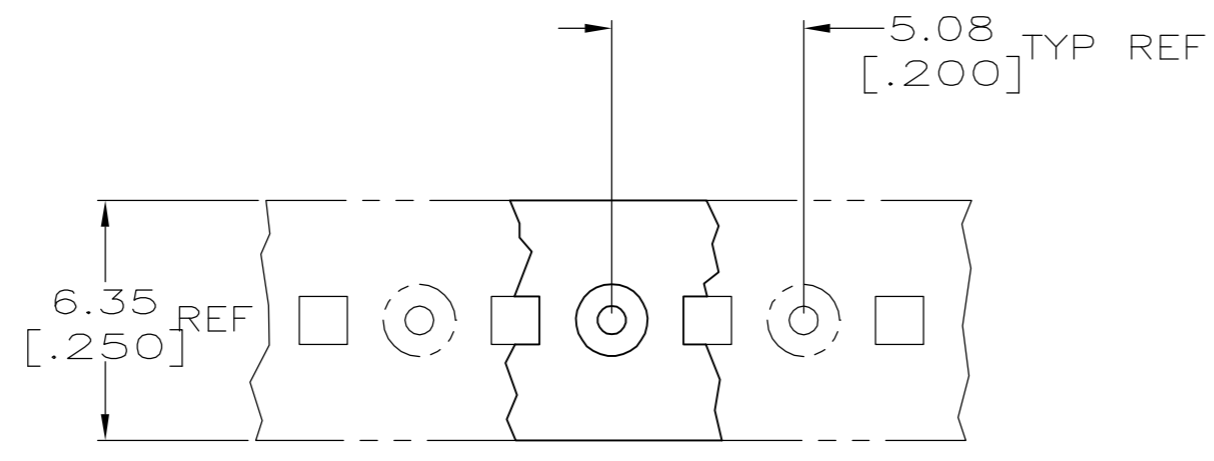


THIS DRAWING IS UNPUBLISHED. RELEASED FOR PUBLICATION
 © COPYRIGHT BY TYCO ELECTRONICS CORPORATION. ALL RIGHTS RESERVED.

LOC	DIST	REVISIONS			
P	LTR	DESCRIPTION	DATE	DWN	APVD
AG	53	0	RELEASED	26JAN06	JDP JGH



- 1 MATERIAL:
EYELET - COPPER PER ASTM B 152
SPRING - BERYLLIUM COPPER PER ASTM B 194
SEALANT - SILICONE RUBBER
- 2 TIN PLATE PER ASTM B 545, 0.00254 [.000100] MIN THK.
- 3 GOLD PLATE PER ASTM B 488, 0.00076 [.000030] MIN THK ON CONTACT AREA.
- 4 TO INSURE 1/2 OZ MIN RETENTION DO NOT EXCEED 0.10 [.004] DIFFERENCE IN PIN DIA WHEN CHANGING TO A SMALLER DIA PIN
- 5 PRODUCT IS OVALIZED FOR RETENTION IN THE P.C. BOARD. THE RECOMMENDED HOLE DIAMETER IS $\phi 2.59$ [$\phi .102$] MINIMUM, +0.08 [.003] MAX. PRIOR TO SOLDERING.
- 6 PACKAGED 10,000 PER REEL

7.82 [.308]	3.68-6.99 [.145-.275]	$\phi 1.07 - \phi 1.24$ [$\phi .042 - \phi .049$]	GOLD 3	TIN 2	1-5645991-2
DIM. A	LENGTH DIM. B	DIA	SPRING	EYELET	PART NO
THIS DRAWING IS A CONTROLLED DOCUMENT.			DWN J. POLIGNONE 26JAN06 CHK J. HAVENER 26JAN06 APVD J. HAVENER 26JAN06 PRODUCT SPEC 108-14008 APPLICATION SPEC 114-26004		
DIMENSIONS: mm [INCHES]		TOLERANCES UNLESS OTHERWISE SPECIFIED: 0 PLC ± - 1 PLC ± - 2 PLC ± - 3 PLC ± 0.20[.008] 4 PLC ± - ANGLES ± - FINISH SEE TABLE		NAME tyco Tyco Electronics Corporation Electronics Harrisburg, PA 17105-3608 MINIATURE SPRING SOCKET ASSEMBLY, SERIES 5 WITH SEALANT	
MATERIAL 1	WEIGHT -	SIZE A2	CAGE CODE 00779	DRAWING NO C=5645991	RESTRICTED TO -
CUSTOMER DRAWING			SCALE 10:1	SHEET 1 of 1	REV 0