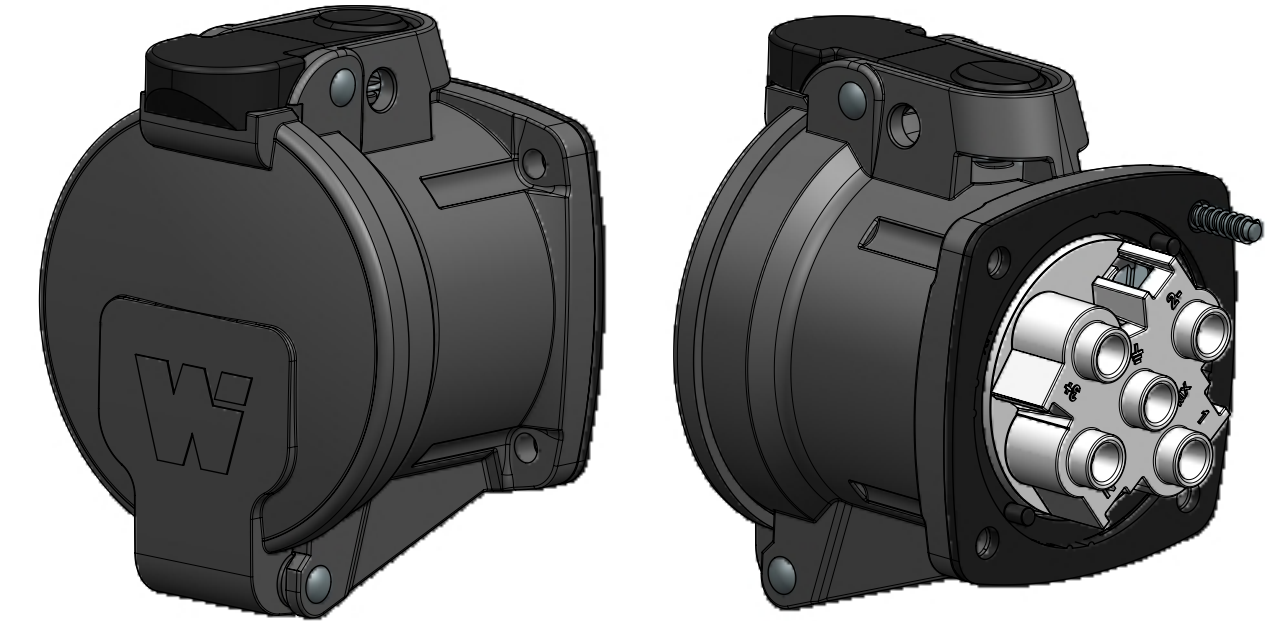
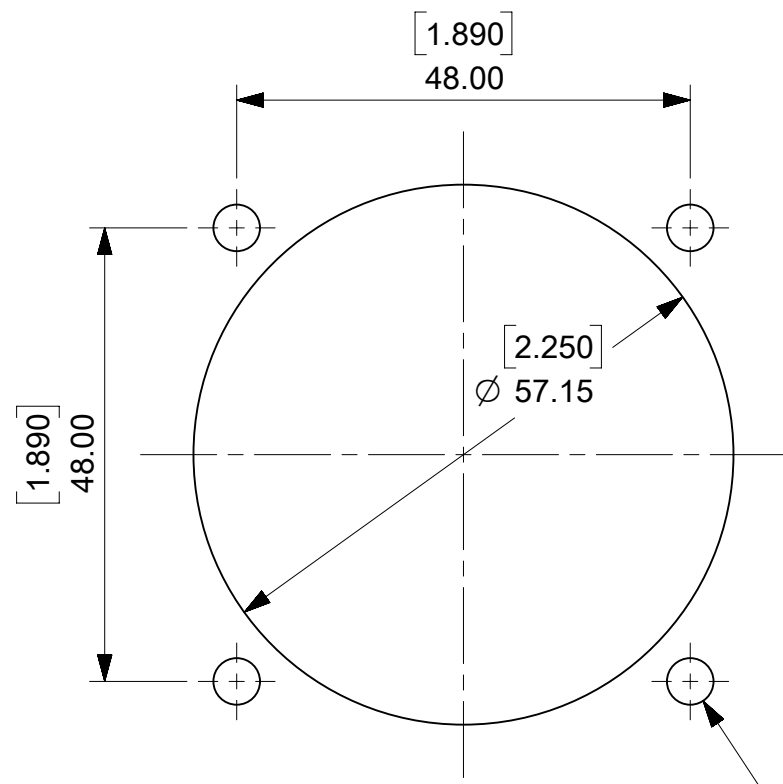


MATERIAL NUMBER	ENGINEERING NUMBER	DESCRIPTION	INSULATOR KEYING POSITION	HORSEPOWER RATING
1122190001	ARC30FA01	ARC 30A F 125VAC 1P+N+G	7	1 HP
1122190002	ARC30FB02	ARC 30A F 250VAC 2P+G		3 HP
1122190003	ARC30FB03	ARC 30A F 250VAC 3P+G		5 HP
1122190004	ARC30FAB04	ARC 30A F 125/250VAC 2P+N+G	16	NA
1122190005	ARC30FC02	ARC 30A F 208VAC 2P+G		NA
1122190006	ARC30FC03	ARC 30A F 208VAC 3P+G		5 HP
1122190007	ARC30FAC05	ARC 30A F 120/208VAC 3P+N+G	4	NA
1122190008	ARC30FD01	ARC 30A F 277VAC 1P+N+G		NA
1122190009	ARC30FE02	ARC 30A F 480VAC 2P+G		NA
1122190010	ARC30FE03	ARC 30A F 480VAC 3P+G	14	10 HP
1122190011	ARC30FDE05	ARC 30A F 277/480VAC 3P+N+G		NA
1122190012	ARC30FF02	ARC 30A F 600VAC 2P+G		NA
1122190013	ARC30FF03	ARC 30A F 600VAC 3P+G	14	NA
1122190014	ARC30FGF05	ARC 30A F 347/600VAC 3P+N+G		NA



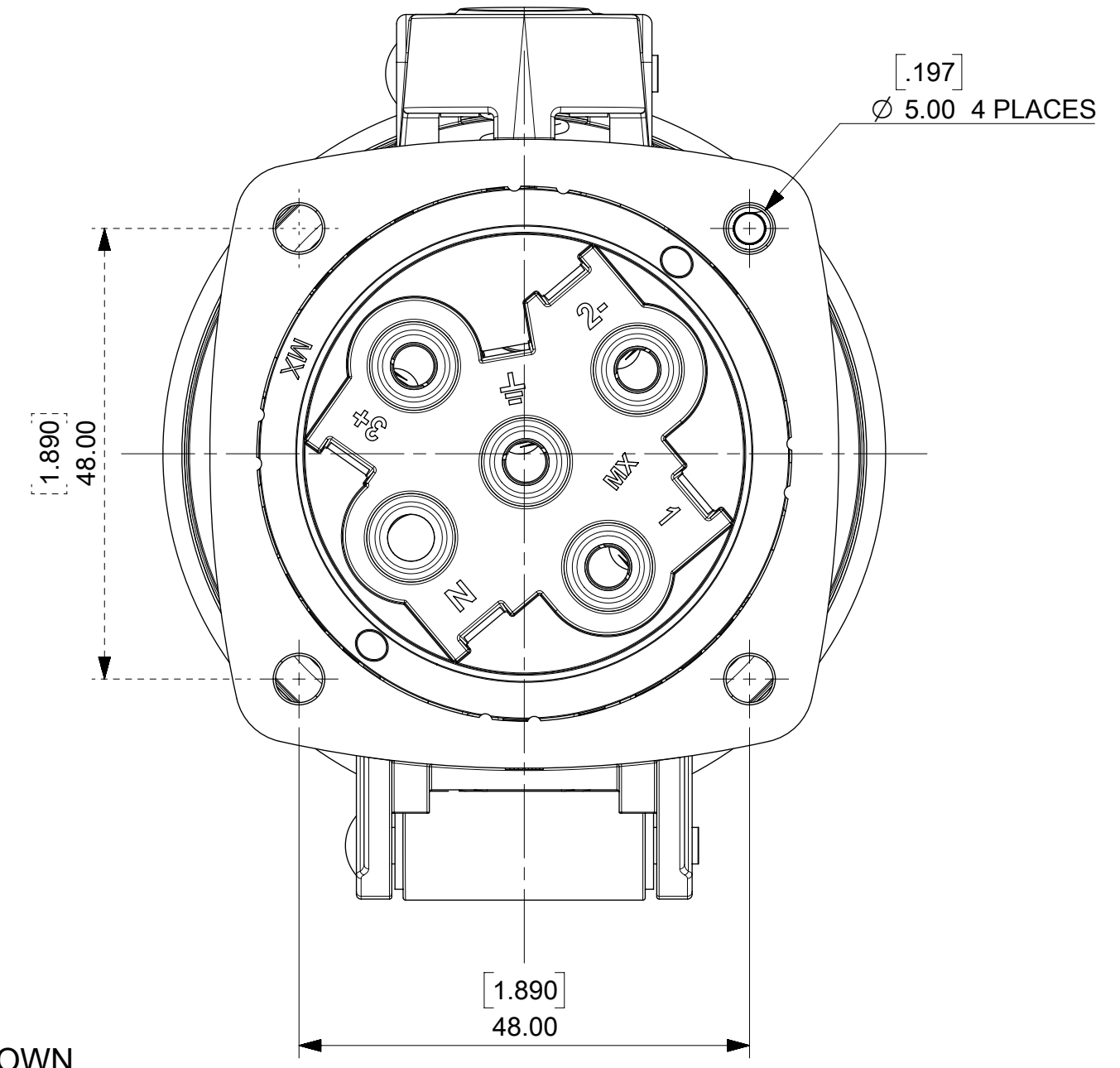
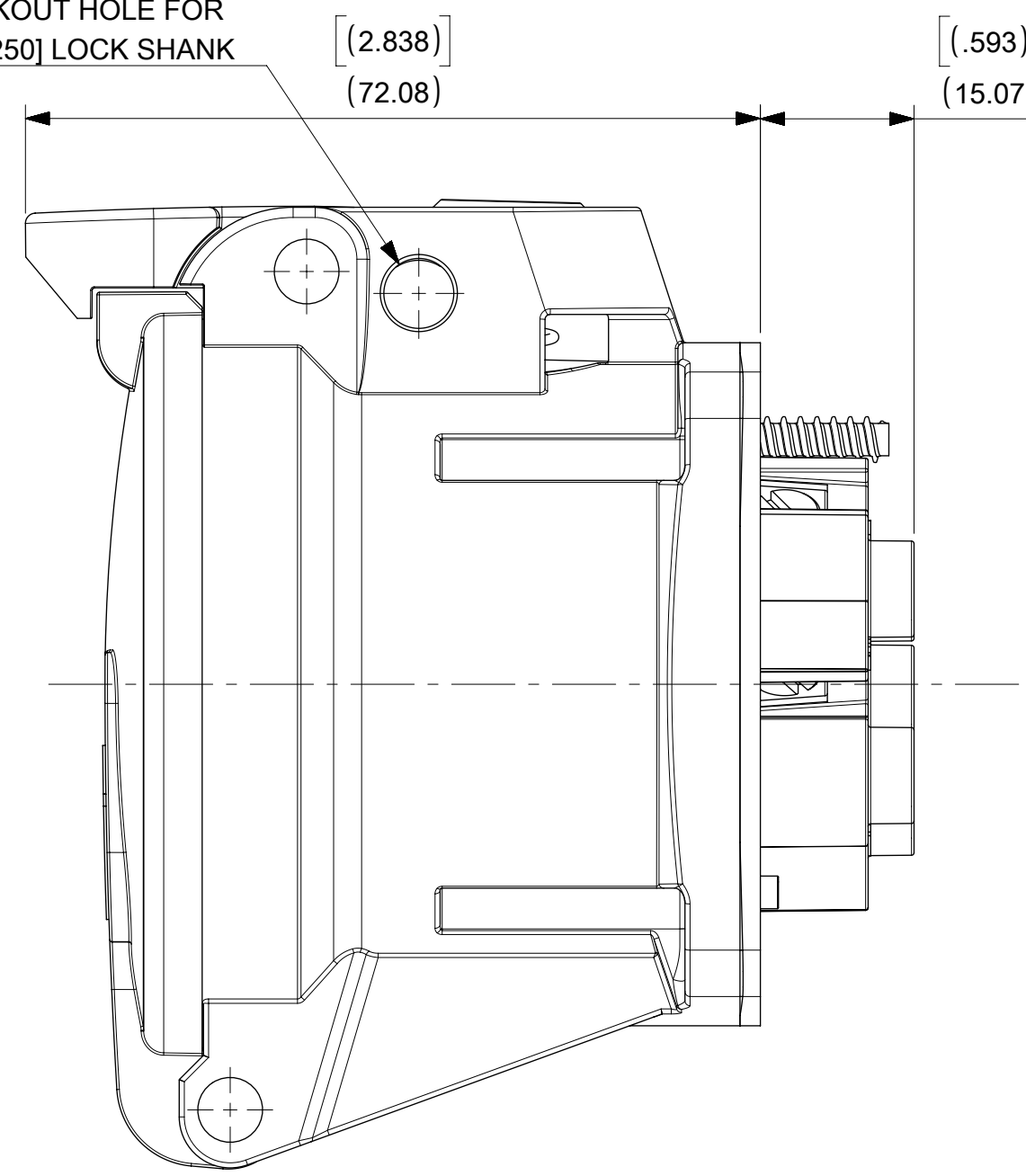
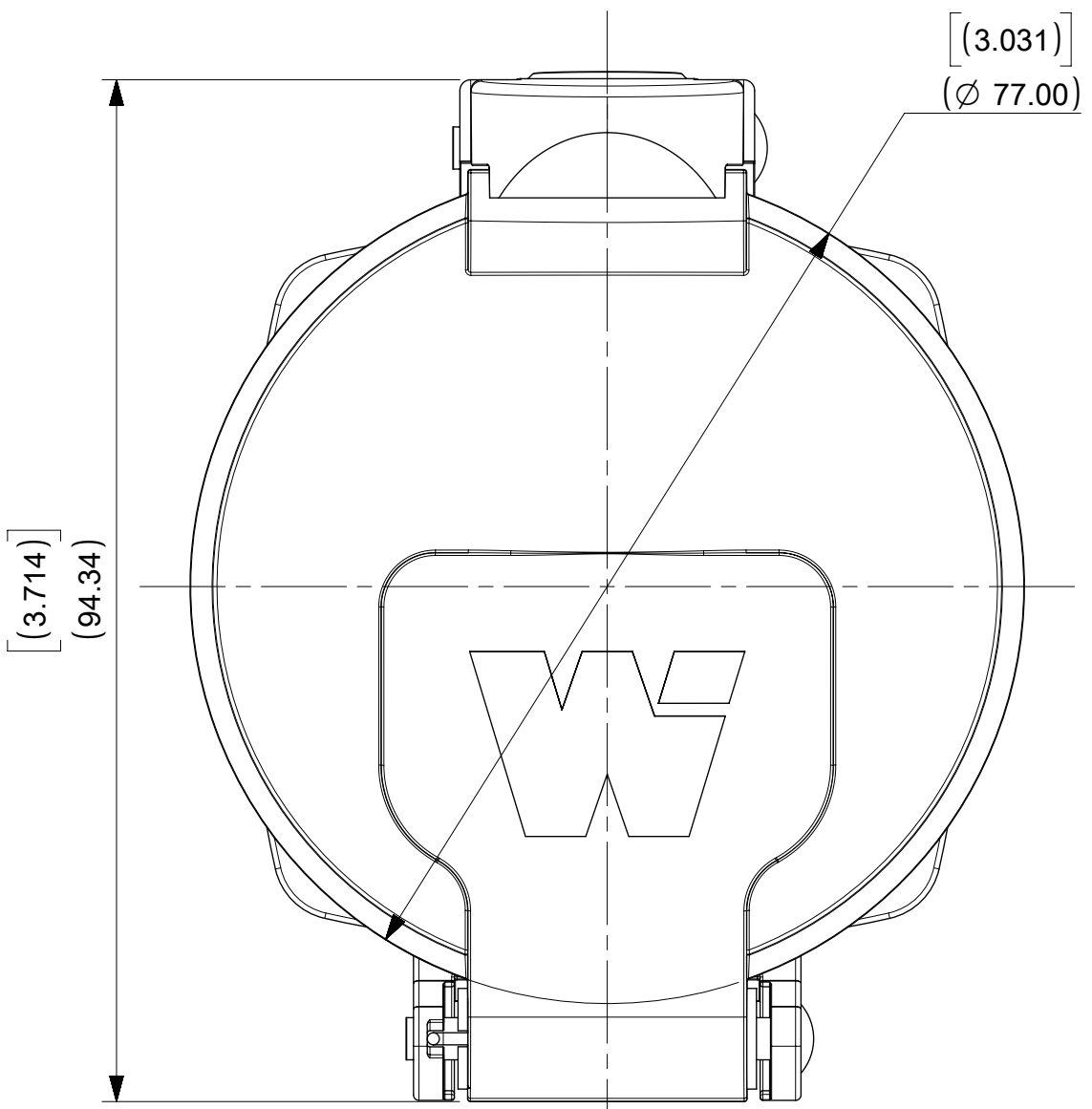
[.194]
Ø 4.93
CLEARANCE FOR 8-32 FASTENER

MOUNTING PATTERN

[.270]
Ø 6.86 LOCKOUT HOLE FOR
Ø 6.35MM [0.250] LOCK SHANK

[2.838] (72.08)

[.593] (15.07)



ARC30FE03 SHOWN

NOTES:

MATERIALS:
HOUSINGS AND INSULATORS: GLASS FILLED PBT
CONTACTS: COPPER ALLOY WITH A SILVER NICKEL TIP, SILVER PLATED
MOUNTING AND INTERFACE GASKETS: SILICONE

RATINGS:
CURRENT: 30 AMPS
VOLTAGE AND HORSEPOWER: SEE TABLE
OPERATING TEMPERATURE: -40°C (-40°F) TO 60°C (140°F)
ENVIRONMENTAL: TYPE 4X, IP69K
WIRING CAPACITY: 12 AWG MIN. TO 8 AWG MAX.
TORQUE TERMINAL SCREWS TO 1.7 N-M (15 in/lbs)
AGENCY: UL LISTING PENDING

SWITCH RATED RECEPTACLE/CONNECTOR
BRANCH CIRCUIT DISCONNECT SWITCH
MOTOR CIRCUIT DISCONNECT SWITCH IF HP RATED

THIS DRAWING REPLACES SD-112219-001.

SYMBOLS		THIS DRAWING CONTAINS INFORMATION THAT IS PROPRIETARY TO MOLEX ELECTRONIC TECHNOLOGIES, LLC AND SHOULD NOT BE USED WITHOUT WRITTEN PERMISSION		CURRENT REV DESC: ADDED 10HP,NEW		NOTES	
DIMENSION UNITS	SCALE	MM	INCH	DOC TYPE	DOC PART	REVISION	
INCH	1.5:1						
GENERAL TOLERANCES (UNLESS SPECIFIED)							
4 PLACES	±			EC NO: 604773			
3 PLACES	±			DRWN: MJANTELEZIO	2018/09/20		
2 PLACES	±			CHK'D: JFMURPHY	2018/11/05		
1 PLACE	±			APPR: JFMURPHY	2018/11/05		
0 PLACES	±			INITIAL REVISION:			
ANGULAR TOL	± °			DRWN: DRWN BY	XXXX/XX/XX		
DRAFT WHERE APPLICABLE MUST REMAIN WITHIN DIMENSIONS				APPR: APPR BY	XXXX/XX/XX		
THIRD ANGLE PROJECTION				DRAWING	SERIES		
				C-SIZE	112219		



ARC 30A F 480VAC 3P+G

PRODUCT CUSTOMER DRAWING

DOCUMENT NUMBER
1122190010

DOC TYPE
PSD

DOC PART
000

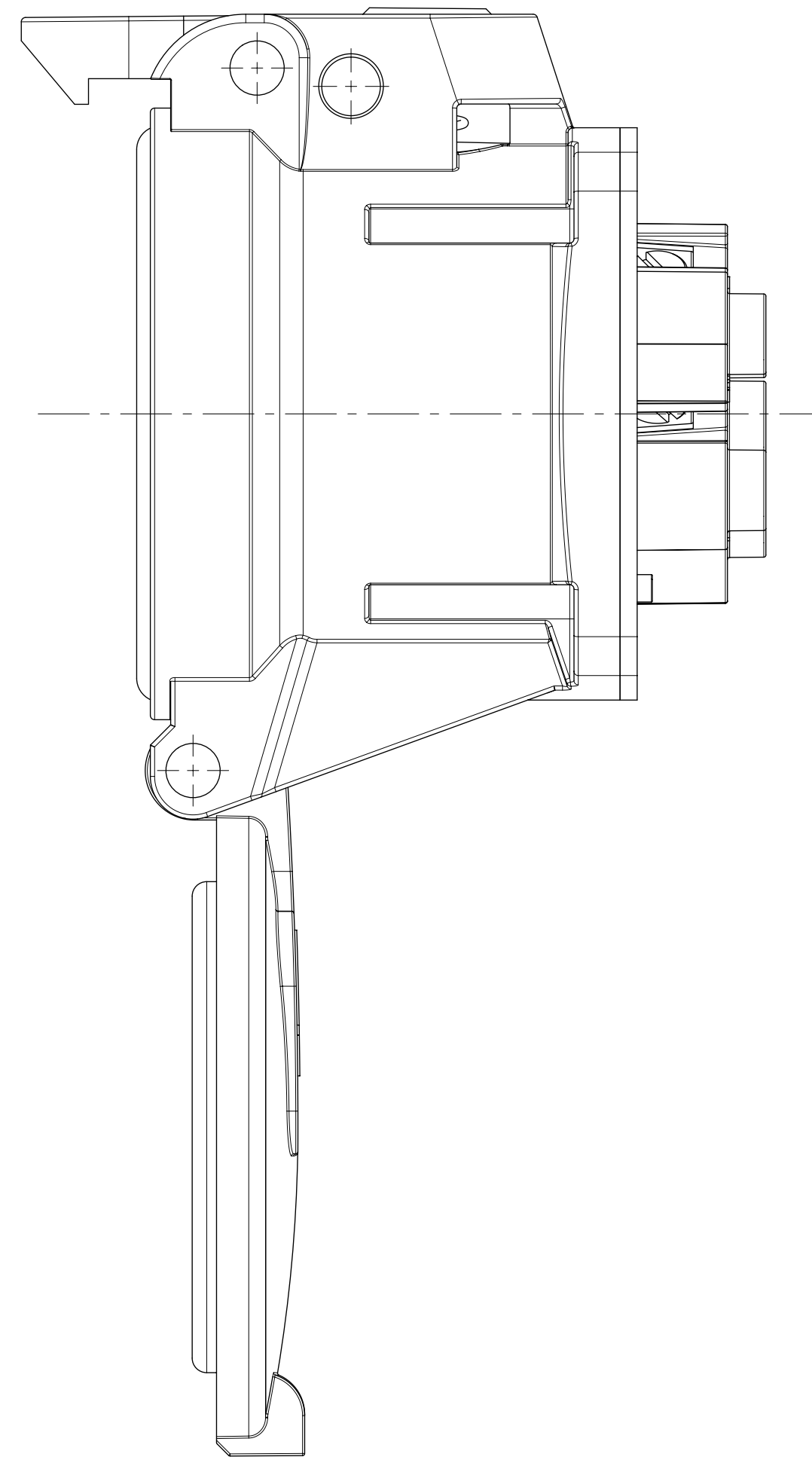
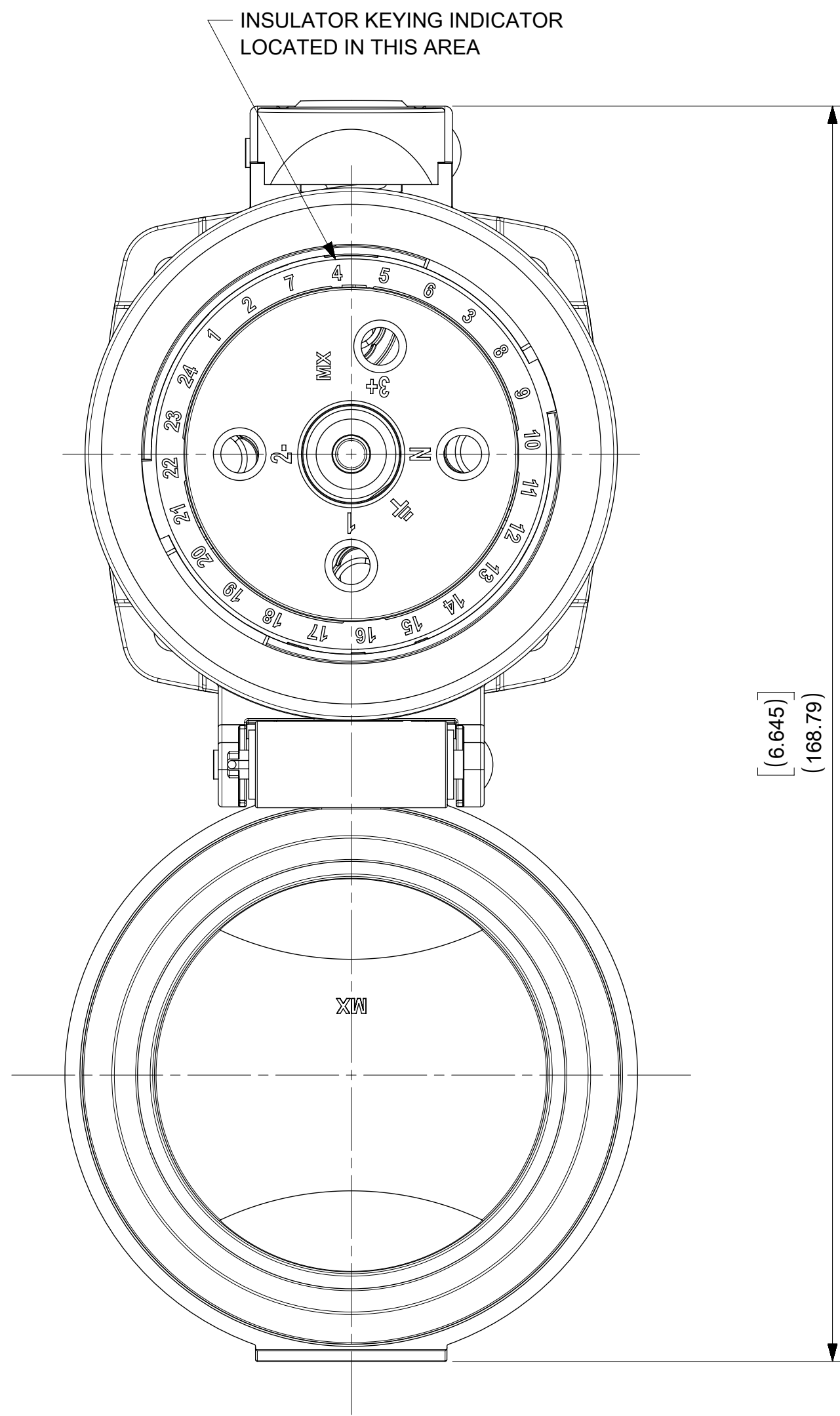
REVISION
B3

MATERIAL NUMBER
GENERAL MARKET

CUSTOMER
GENERAL MARKET

SHEET NUMBER
1 OF 2

DOCUMENT STATUS	P1	RELEASE DATE	2018/11/05	17:31:23
-----------------	----	--------------	------------	----------



ARC30FE03 SHOWN

THIS DRAWING CONTAINS INFORMATION THAT IS PROPRIETARY TO MOLEX ELECTRONIC TECHNOLOGIES, LLC AND SHOULD NOT BE USED WITHOUT WRITTEN PERMISSION									
SYMBOLS		DIMENSION UNITS		SCALE		CURRENT REV DESC: ADDED 10HP,NEW NOTES			
▽ = 0	INCH	1.5:1		EC NO: 604773 DRWN: MJANTELEZIO 2018/09/20 CHK'D: JFMURPHY 2018/11/05 APPR: JFMURPHY 2018/11/05 INITIAL REVISION: DRWN: DRWN BY XXXX/XX/XX APPR: APPR BY XXXX/XX/XX					
▽ = 0	GENERAL TOLERANCES (UNLESS SPECIFIED)								
▽ = 0	MM	INCH							
▽ = 0	4 PLACES	±	±						
▽ = 0	3 PLACES	±	±	PRODUCT CUSTOMER DRAWING DOCUMENT NUMBER: 1122190010 DOC TYPE: PSD DOC PART: 000 REVISION: B3					
▽ = 0	2 PLACES	±	±						
▽ = 0	1 PLACE	±	±						
▽ = 0	0 PLACES	±	±	MATERIAL NUMBER		CUSTOMER		SHEET NUMBER	
▽ = 0	ANGULAR TOL	±	°	112219		GENERAL MARKET		2 OF 2	
▽ = 0	DRAFT WHERE APPLICABLE MUST REMAIN WITHIN DIMENSIONS			THIRD ANGLE PROJECTION		DRAWING		SERIES	
▽ = 0				C-SIZE		112219			

molex

ARC 30A F 480VAC 3P+G

PRODUCT CUSTOMER DRAWING

1122190010

PSD 000 B3