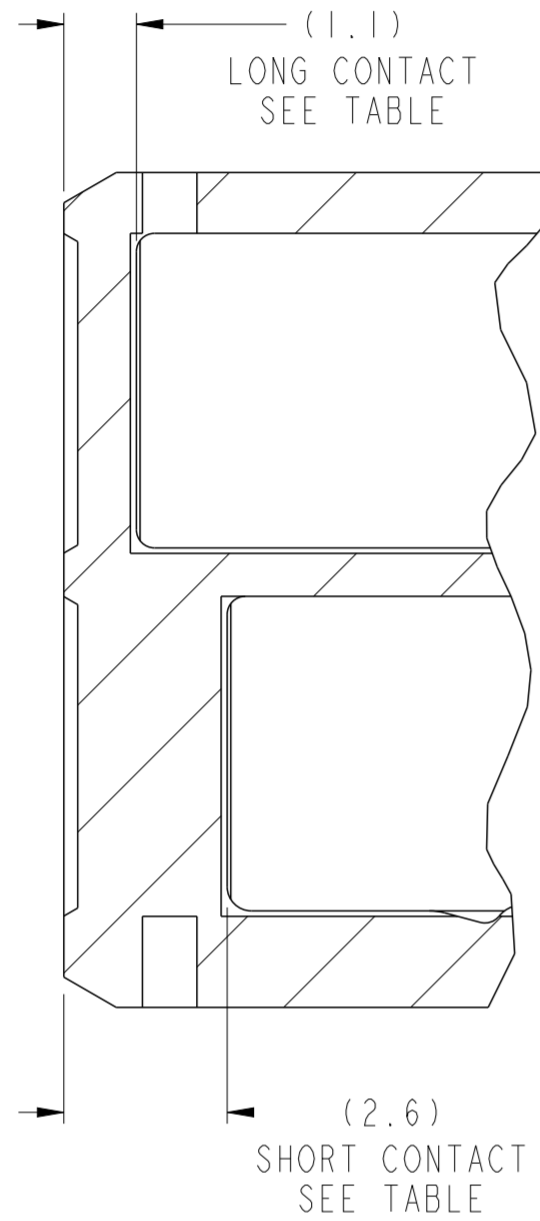
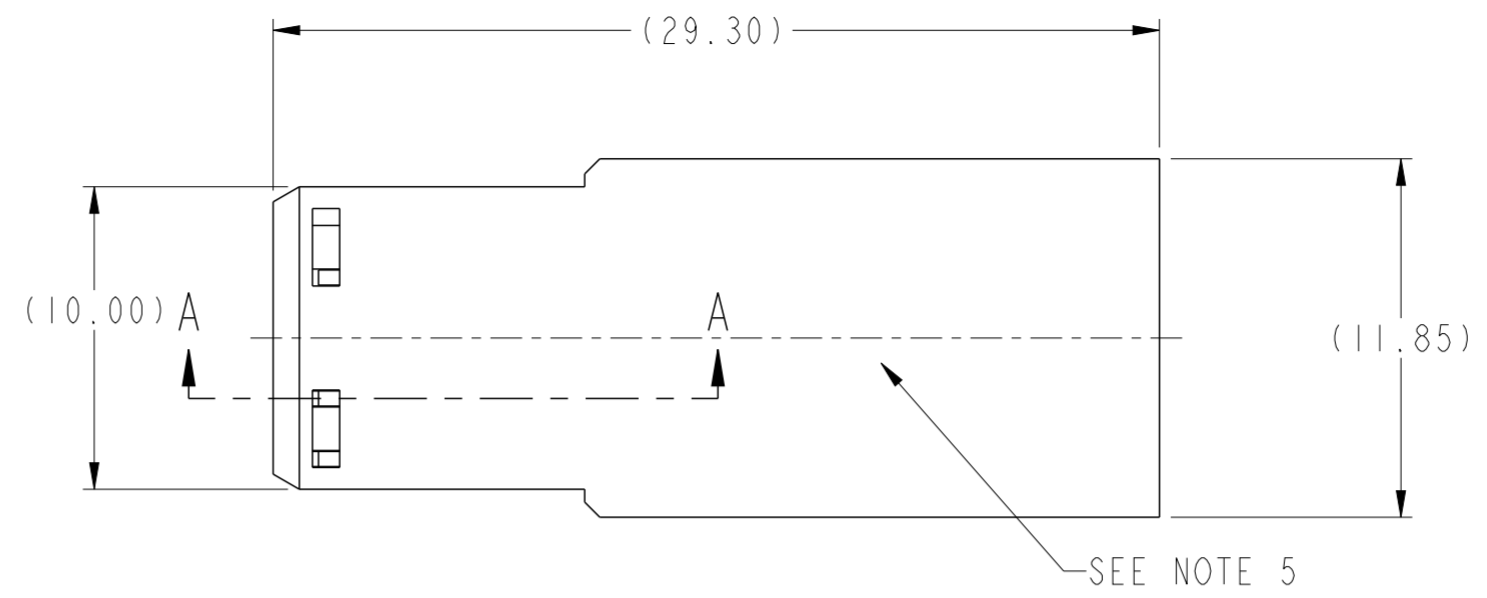
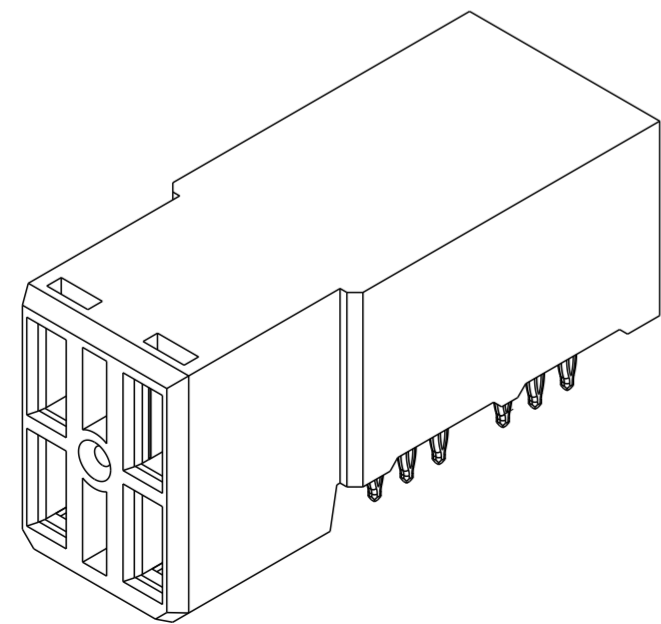
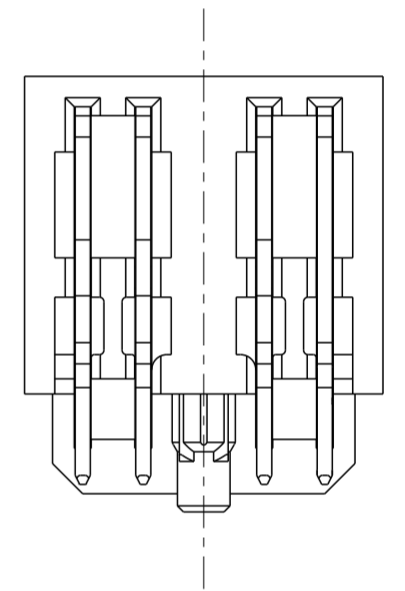
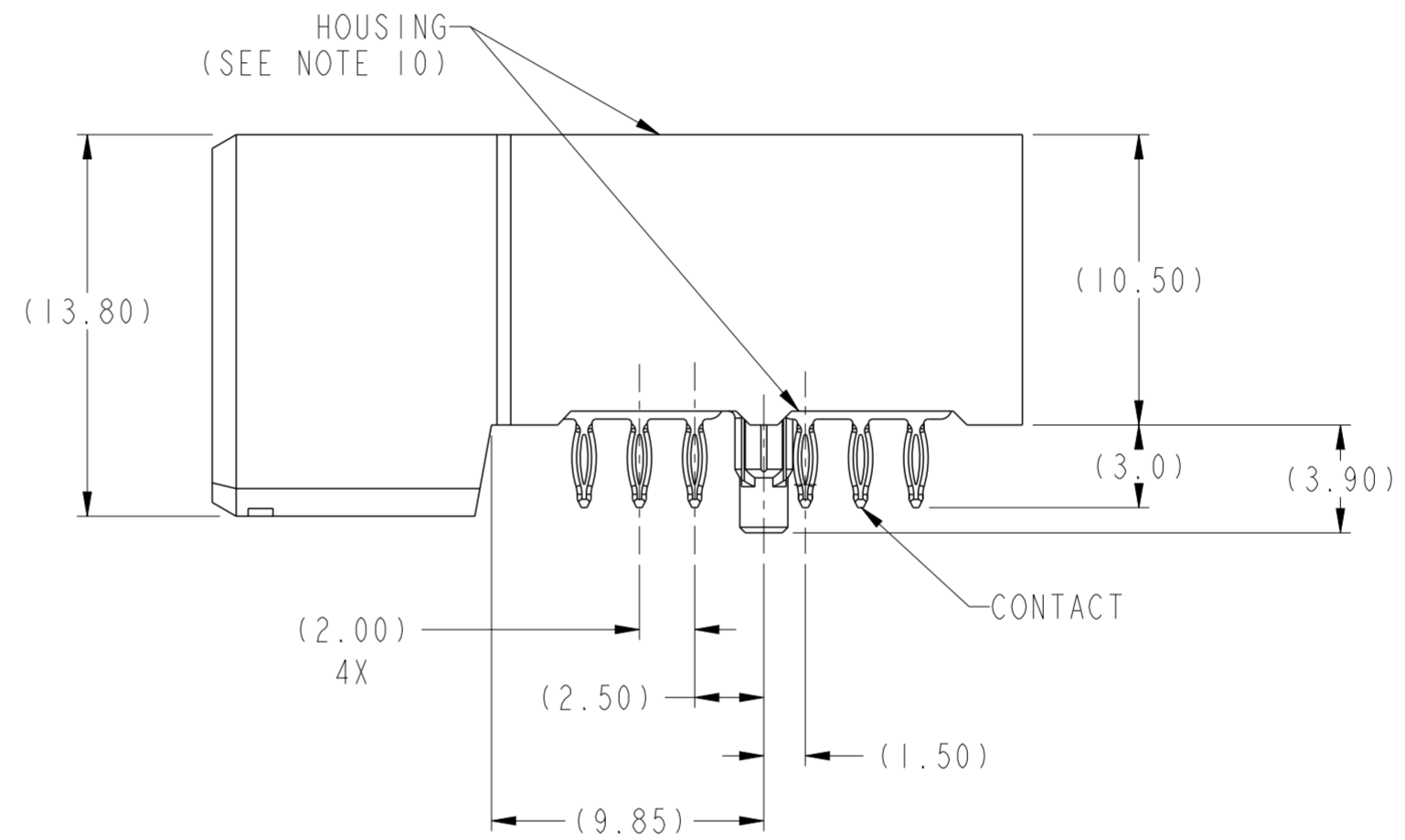
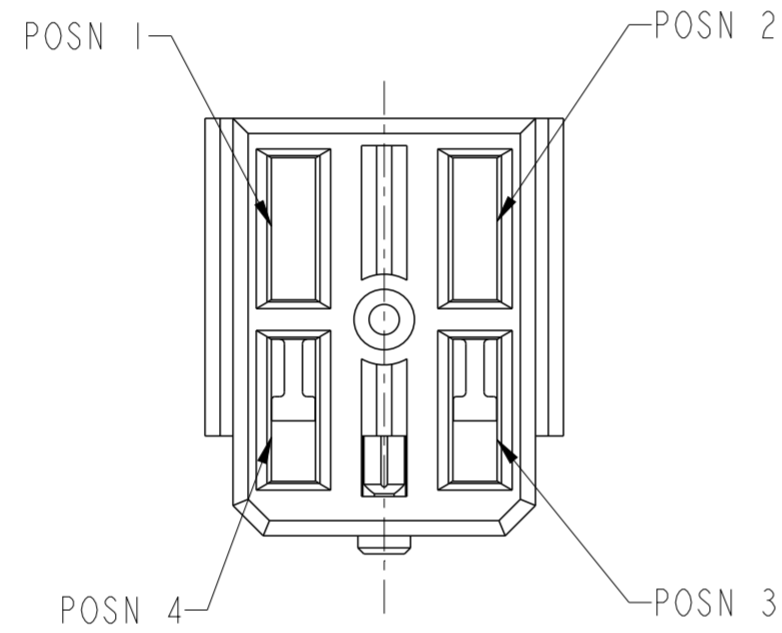


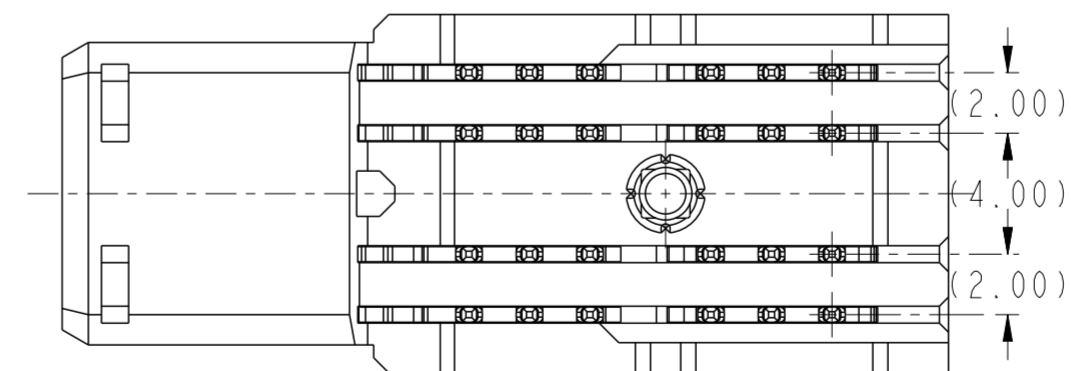
| PRODUCT NUMBER ("LF" DENOTES LEAD-FREE) | CONTACT PLATING NOTE | CONTACT DEPTH (SEE SECTION A-A) | | | | ROHS COMPATIBILITY |
|--|----------------------------|---------------------------------|--------|--------|--------|-----------------------|
| | | POSN 1 | POSN 2 | POSN 3 | POSN 4 | |
| 10124620-4444P00LF | 2a | LONG | LONG | LONG | LONG | SEE NOTE 8 |
| 10124620-5555P00LF | 2a | SHORT | SHORT | SHORT | SHORT | SEE NOTE 8 |
| 10124620-4555P00LF | 2a | LONG | SHORT | SHORT | SHORT | SEE NOTE 8 |
| 10124620-5455P00LF | 2a | SHORT | LONG | SHORT | SHORT | SEE NOTE 8 |
| 10124620-5545P00LF | 2a | SHORT | SHORT | LONG | SHORT | SEE NOTE 8 |
| 10124620-5554P00LF | 2a | SHORT | SHORT | SHORT | LONG | SEE NOTE 8 |
| 10124620-4554P00LF | 2a | LONG | SHORT | SHORT | LONG | SEE NOTE 8 |
| 10124620-5455P00 | 2b | SHORT | LONG | SHORT | SHORT | NA |



SECTION A-A
SCALE 8:1



SCALE 3:1



| | | | | | | | | | | |
|---------------|------------|------|----------------|------------|----------------|----------------|----------|----------------|-----------|----------|
| spec ref | GS-12-220 | dr | Lin-Soe Ngwe | 2013/03/07 | projection | MM | size | A2 | scale | 4:1 |
| tolerance std | ASME Y14.5 | eng | Jackie Chen | 2015/08/12 | chr | - | ecn no | ELX-DG-21647-1 | rel level | Released |
| surface | ✓ | appr | Pai-Ming Zheng | 2015/08/17 | product family | 2mm High Power | cat. no. | 10124620 | rev | E |
| ASME Y14.5 | linear | 0.X | ±0.3 | 0.XX | ±0.10 | 0.XXX | ±0.050 | angular | 0° | ±2° |

| TOP LAYER DESCRIPTION | TABLE I PLATED THROUGH-HOLE REQUIREMENTS | | | | | | | |
|-----------------------|---|------------------|--------------------|------------------|--------------------|---------------|------------------|---------------------------------|
| | DRILLED HOLE DIAMETER | COPPER THICKNESS | TIN-LEAD THICKNESS | NICKEL THICKNESS | GOLD THICKNESS | TIN THICKNESS | SILVER THICKNESS | FINISHED HOLE DIAMETER (DIM"A") |
| TIN-LEAD | 0.81-0.86 (0.85 DRILL) | 0.025 - 0.050 | 0.005 - 0.015 | -- | -- | -- | -- | 0.65 - 0.80 |
| IMMERSION TIN | 0.81-0.86 (0.85 DRILL) | 0.025 - 0.050 | -- | -- | -- | 0.9 - 1.5um | -- | 0.70 - 0.80 |
| IMMERSION SILVER | 0.81-0.86 (0.85 DRILL) | 0.025 - 0.050 | -- | -- | -- | -- | 0.15 - 0.65um | 0.70 - 0.80 |
| COPPER (SEE NOTE 11) | 0.81-0.86 (0.85 DRILL) | 0.025 - 0.050 | -- | -- | -- | -- | -- | 0.70 - 0.80 |
| GOLD | 0.81-0.86 (0.85 DRILL) | 0.025 - 0.050 | -- | 0.003 - 0.007 | FLASH UP TO 0.0002 | -- | -- | 0.69 - 0.80 |

NOTES:

1. CONNECTOR MATERIALS:
HOUSING: HIGH TEMPERATURE THERMOPLASTIC, BLACK
UL 94V-0 COMPLIANT
CONTACT: HIGH PERFORMANCE COPPER ALLOY
2. a) CONTACT PLATING (LEAD FREE):
PRESS-FIT TAIL MATTE TIN OVER NICKEL.
b) CONTACT PLATING (LEADED):
PRESS-FIT TAIL:TIN-LEAD ALLOY OVER NICKEL

SEPARABLE INTERFACE:0.76 um MIN GXT OVER NICKEL
3. PRODUCT SPECIFICATION: GS-12-220
4. APPLICATION SPECIFICATION: GS-20-023
5. PRODUCT MARKING (PRODUCT NUMBER & DATE CODE) ON HOUSING IN AREA SHOWN.
6. MINIMUM NOMINAL PCB THICKNESS: 1.6mm
7. REFER TO CUSTOMER DRAWING 10035911 FOR INFORMATION REGARDING PCB LAYOUT OF POWER AND GUIDE MODULES RELATIVE TO SIGNAL MODULES.
8. PRODUCT MEETS EUROPEAN UNION DIRECTIVES AND OTHER COUNTRY REGULATIONS AS DESCRIBED IN FCI SPECIFICATION GS-22-008.
9. PACKAGING MEETS FCI SPECIFICATION GS-14-920.
10. HOUSING COMPONENT WILL WITHSTAND EXPOSURE TO 260°C PEAK TEMPERATURE FOR 60 SECONDS IN A CONVECTION, INFRA-RED, OR VAPOR PHASE REFLOW OVEN.
11. COPPER PLATING THICKNESS IN CENTER OF VIA-HOLE CAN BE NO MORE THAN 0.003 LESS THAN OTHER AREAS.
12. A Δ SYMBOL WILL BE NEXT TO ANY DIMENSION, VIEW, OR NOTE WHICH HAS BEEN MODIFIED WITH THE CURRENT DRAWING REVISION



RECOMMENDED PCB LAYOUT
COMPONENT SIDE NOTE 6 SCALE
4:1

| | | | | | | | | | | |
|---------------|------------|-------------|----------------|--------------|----------------|----------------|-----------|------------------------|-----------|-------------------------|
| spec ref | GS-12-220 | dr | Lin-See Ngwe | 2013/03/07 | projection | MM | size | A2 | scale | 1:1 |
| tolerance std | ASME Y14.5 | eng | Jackie Chen | 2015/08/12 | chr | - | ecn no | ELX-DG-21647-1 | rel level | Released |
| surface | ✓ | appr | Pei-Ming Zheng | 2015/08/17 | product family | 2mm High Power | rel level | Released | cat. no. | R/A RECEPTACLE ASSY 2X2 |
| ASME Y14.5 | linear | 0.X | ±0.3 | 0.XX | ±0.10 | 0.XXX | ±0.050 | angular | 0° | ±2° |
| | | www.fci.com | | AirMax Power | | 10124620 | | Product - Customer Drw | | sheet 2 of 2 |