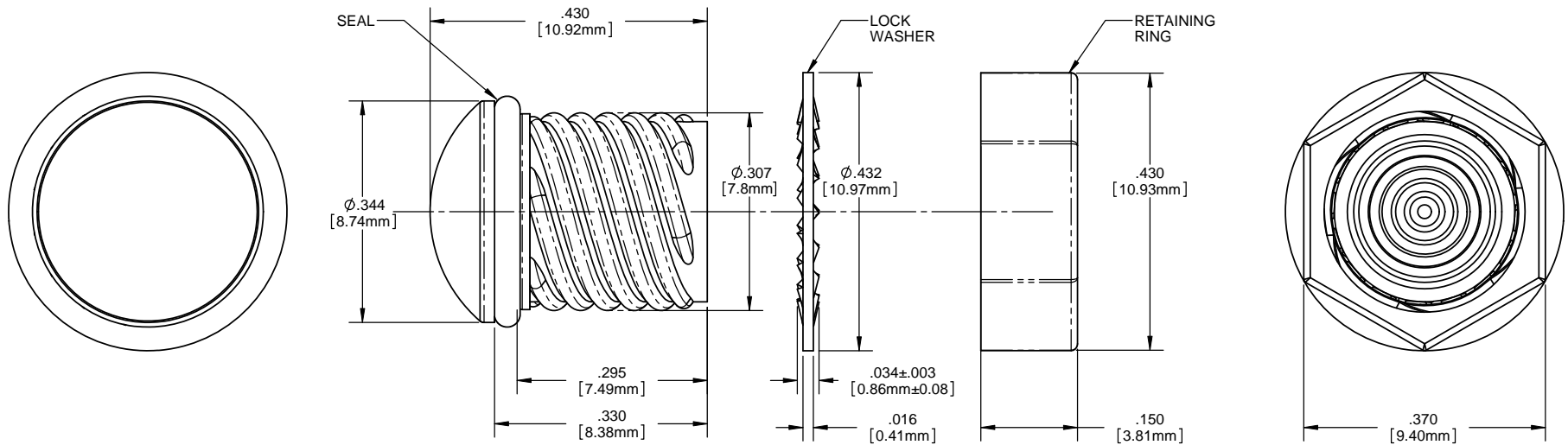


8 7 6 5 4 3 2 1

NOTES:

- MOUNTING:** Mounts in a $\phi .312 \pm .002$ [$\phi 7.92\text{mm} \pm .05$] panel hole on .500 [12.7mm] centers. Panel thickness .031 [.8mm] to .125 [3.18mm]. Panel hole should be deburred, but not chamfered.
- ASSEMBLY:** Insert lens through panel hole, slide lock washer onto lens barrel and twist on retaining ring. PCB mounted LEDs slide into lens when the panel cover is closed or the PCB card is inserted into the case.
- MATERIAL:** Lens- Polycarbonate, UL 94-V2
Lock Washer- FH Steel, Nickel plate
Retaining ring - Thermoplastic, U.L. 94 V0 Rated
Seal- EPDM
- U.S. & Foreign Pat. Issued & Pend.

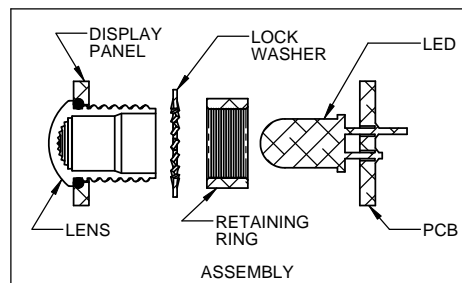
REVISIONS				
ECN#	REV.	DESCRIPTION	DATE	INITIALS
	1	ADDED CMC 443 & CMS 444; UPDATE DRAWING FORMAT	12-5-08	JG
	001	REVISED PER ECR111009AZ01	4-23-10	SMU

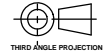


ORDERING CODE : **CMS 442 XXX**

MODEL

LENS COLOR	
RTP	RED TRANSPARENT
ATP	AMBER TRANSPARENT
GTP	GREEN TRANSPARENT
BTP	BLUE TRANSPARENT
YTP	YELLOW TRANSPARENT
CTP	CLEAR TRANSPARENT



<small>UNLESS OTHERWISE SPECIFIED DIMENSIONS ARE IN INCHES</small> <small>ANGLES DECIMALS ±1'</small> <small>FINISH .X ±.020 .XX ±.010 .XXX ±.005</small> <small>BREAK ALL CORNERS AND SHARP EDGES (R1/16")</small>  <small>THIRD ANGLE PROJECTION</small> <small>PROPRIETARY AND CONFIDENTIAL</small> <small>THE INFORMATION CONTAINED IN THIS DRAWING IS THE SOLE PROPERTY OF VISUAL COMMUNICATIONS COMPANY, INC. AND IS TO BE USED FOR THE PURPOSES SPECIFIED HEREIN. ANY REPRODUCTION IN PART OR AS A WHOLE WITHOUT THE WRITTEN CONSENT OF VISUAL COMMUNICATIONS COMPANY, INC. IS PROHIBITED.</small>	MATERIAL	SEE NOTES	VISUAL COMMUNICATIONS COMPANY, INC. <small>190 Bosstick Boulevard, Suite 101 San Marcos, CA 92069 USA Phone (760) 560-1300 Fax (760) 560-1301 email vccsales@vccite.com</small>		
	FINISH	SEE NOTES	TITLE: 5MM ROUND STANDARD THREADED FRESNEL LENS WITH SEAL		
APPROVAL	SMU	DATE	4-23-10	SIZE DWG. NO.	
DRAWN:	DZ	CHECKED:	DZ	B CMS 442 XXX	REV 001
DO NOT SCALE DRAWING				SCALE: 4:1	SHEET 1 OF 1

8 7 6 5 4 3 2 1