



# AdvancedMC™ connector for AdvancedTCA®



## General information

Design	PICMG AMC.0, Rev. 2.0
No. of contacts	170
Contact spacing	0,75 mm
Test voltage	80 V r.m.s.
Contact resistance	ground contacts < 60 mOhm other contacts < 90 mOhm
Insulation resistance	> 10 <sup>9</sup> Ohm
Nominal differential impedance	100 Ohm ± 10%
Working current as defined in AMC.0	min. 1,52 A @ 70°C, max 30°C temperature rise
Temperature range	-55°C ... +105°C
Termination technology	press-in
Clearance & creepage distance	> 0,1 mm
Insertion force	< 100 N (typically 60-95 N depending on the AdvancedMC card)
Withdrawal force	< 65 N (typically 30-45 N depending on the AdvancedMC card)
Mating cycles	200
UL file	E102079
RoHS - compliant	Yes
Leadfree	Yes

## Insulator material

Material	LCP (liquid crystalline polymer, glass fiber reinforcement 30%)
Color	black
UL classification	UL 94-V0
Material group acc. IEC 60664-1	IIIa (175 ≤ CTI < 400)

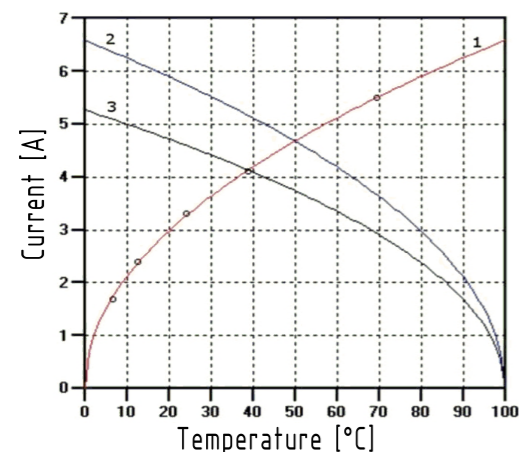
## Contact material

Contact material	Copper alloy
Plating press-in zone	Ni
Plating contact zone	Au over Pd over Ni

## Derating diagram acc. to IEC 60512-5 (Current carrying capacity)

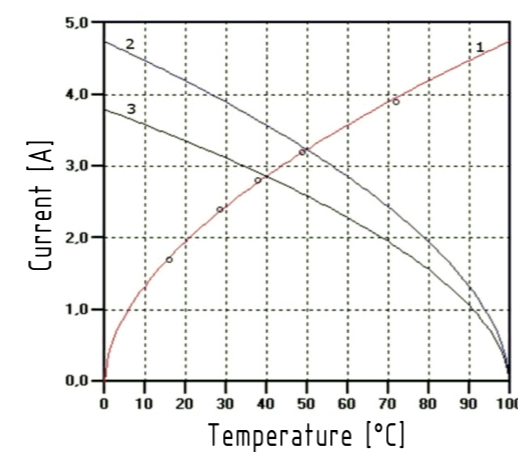
Power conductor, requirement min. 1,52 A @ 70° C

Diff. pair conductor, requirement min. 0,1 A @ 70° C



Curve 1 shows raise in temperature

Curve 2 shows nominal derating

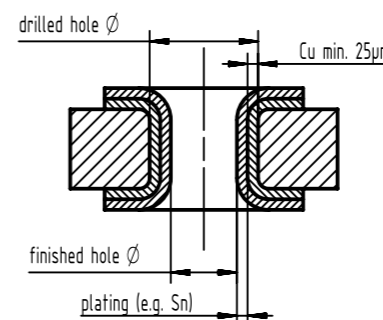


Curve 3 shows reduced values as per IEC512

## Recommended configuration of plated through holes for press-in termination

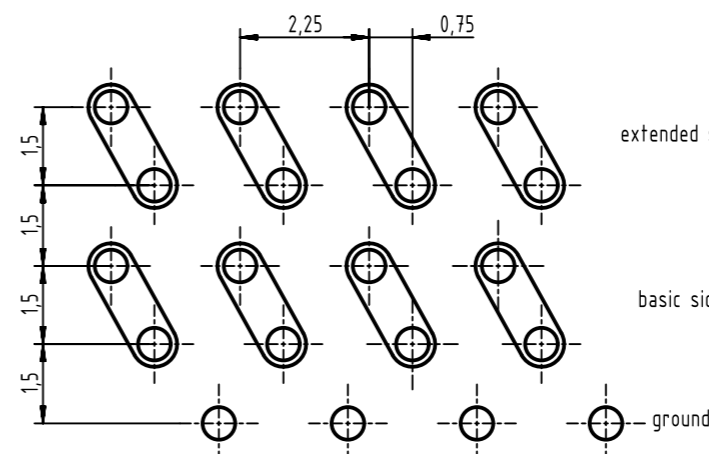
The press-in zone of the AdvancedMC™ connector is tested according to Telcordia/Bellcore GR 1217CORE Part7. It is approved to be used with a plated through hole according IEC 60352-5 with a diameter of 0.55±0.05 mm (drilled hole 0.64±0.01 mm).

Based on our experiences regarding the production process of the PCB manufacturer we recommend a plated through hole configuration like shown in the table on the right side. To achieve the recommended plated through hole diameter, it is important to specify especially the drilled hole diameter of 0.64±0.01 mm to your PCB supplier. For drillings use e.g. drill bit # 72 (0.025" ≈ 0.64 mm).



Plating	Drilled hole Ø	0,64 ± 0,01 mm
	Tin plated PCB (HAL)	Sn
Chemical tin plated PCB	finished hole Ø	0,53 - 0,60 mm
	Sn	0,8 - 1,5 µm
Gold /Nickel plated PCB	Drilled hole Ø	0,64 ± 0,01 mm
	Ni	3 - 7 µm
	Au	0,05 - 0,12 µm
Silver plated PCB	finished hole Ø	0,55 - 0,60 mm
	Ag	0,1 - 0,3 µm
Copper plated PCB (OSP)	Drilled hole Ø	0,64 ± 0,01 mm
	finished hole Ø	0,56 - 0,60 mm
All surfaces	Pad size Ø	min. 0,95 mm

## Pin grid at termination side



Available on request:

- PCB library (PADS/Dx-Designer)
- SPICE models
- S-Parameter

Differential propagation delay	Basic side	125 ps
	Extended side	145 ps
Differential skew	Between basic and extended side	20 ps
	Within basic and extended side	± 2 ps

## Crosstalk

Max. crosstalk @ 25 ps risetime	Bottom route
Adjacent	0.55%
Basic-to-extended (diagonal)	0.68%
Basic-to-extended (opposite)	0.39%
Multiline (five multi-aggressor differential pairs)	2.74% max.

	All rights reserved Department EC PD - DE	All Dimensions in mm Original Size DIN A3	Scale 1:1	Free size tol.	Ref. Sub. DS 16 04 220 01 01 Mod. EC02426 2011-04-29
Created by THIELEMANN		Inspected by TADJE	Standardisation KOHLER	Date 2014-07-16	State Final Release
HARTING Electronics GmbH D-32339 Espelkamp		Title AdvancedMC connector for AdvancedTCA			Doc-Key / ECM-Nr. 100580851/UGD/000/A 500000076062
Type DS		Number 16042200101		Rev. A	Page 1/1

# Mouser Electronics

Authorized Distributor

Click to View Pricing, Inventory, Delivery & Lifecycle Information:

[HARTING:](#)

[16041705104000](#) [16041705106000](#)