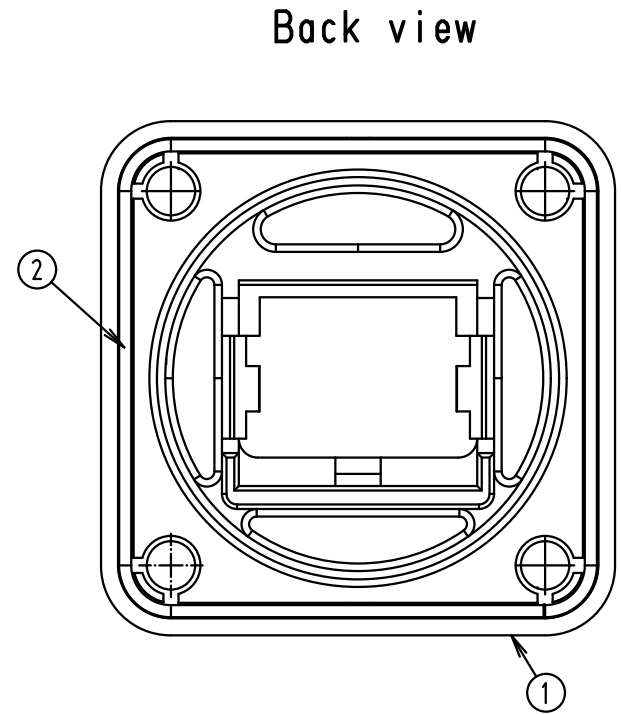
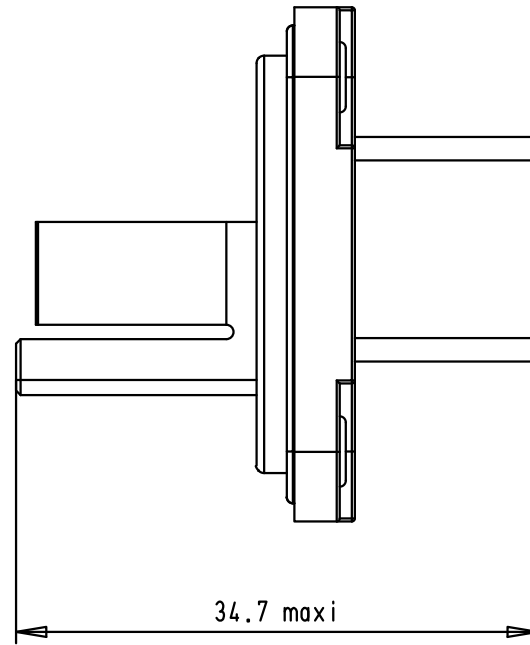
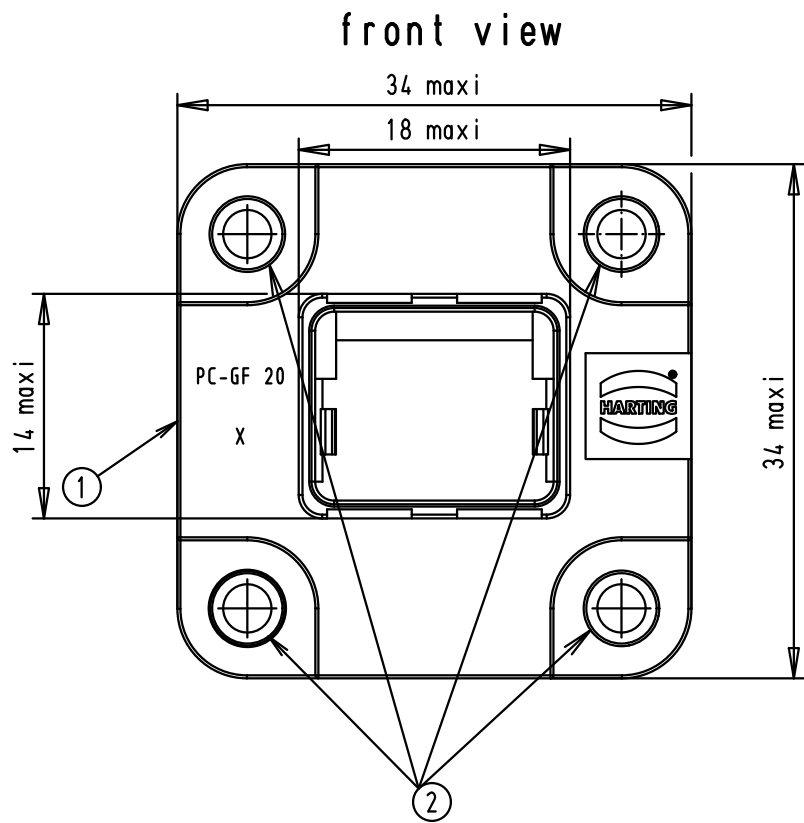
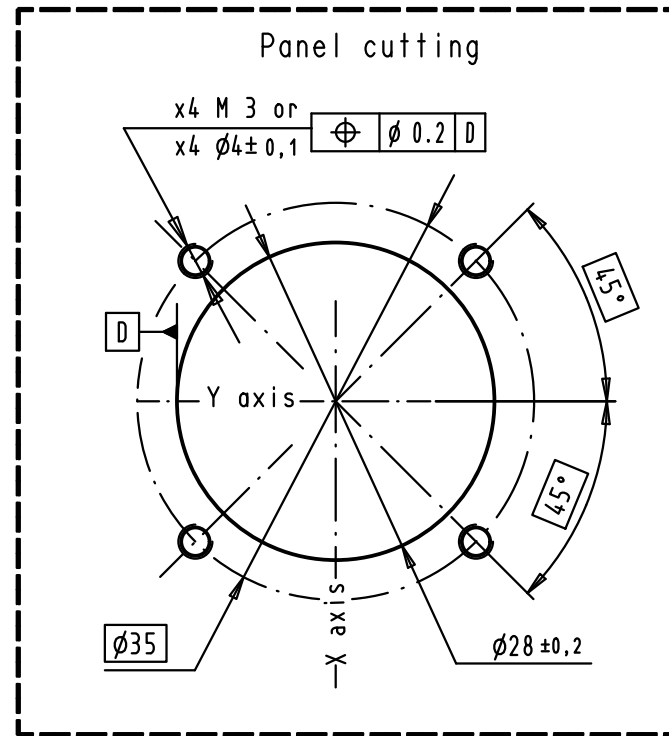


Alle Rechte vorbehalten/ All rights reserved

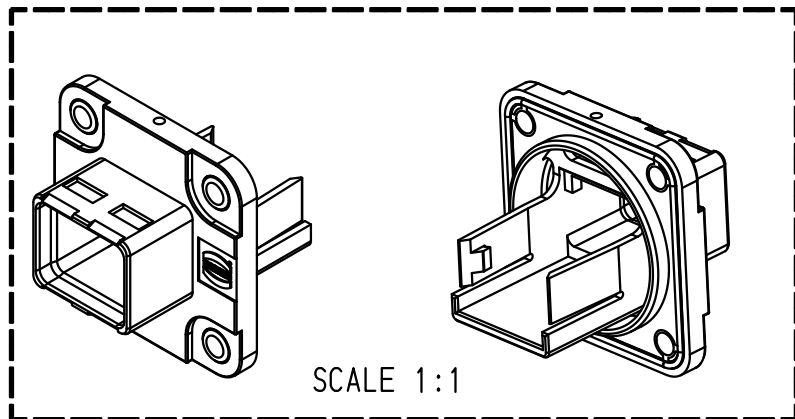


- ① x1 plastic housing
- ② x1 overmolded seal



Connector pitch on panel = 35mm

Screwing by 4x M3 screws with torque 0.5N.m with flat washer under the screw



			Det.	Name	 All Dim. in mm Orig. Size DIN A3	HARTING easy install housing for HIFF insert with plastic clips and with overmolded seal	Maßstab/ Scale 2:1
		Detail.	04/11/10	AB			
		Insp.					
		Stand.					
	04/06/04	AB	HARTING EURL F-95972 Paris			TB 09 45 545 0032	Blatt/ Page 1 / 1
Mod.	Det.	Name					