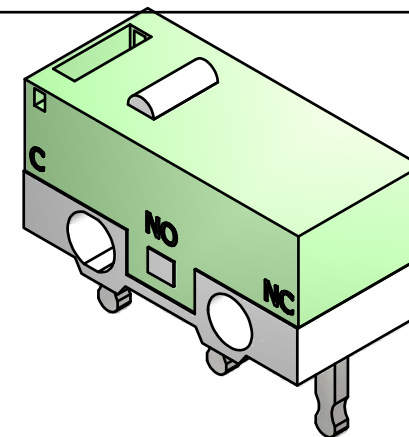


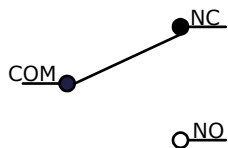
P.C. MOUNTING



ISOMETRIC

▲	O.P. (MM)	P.T. (MM)
C	5.5 ± 0.2	0.5 MAX

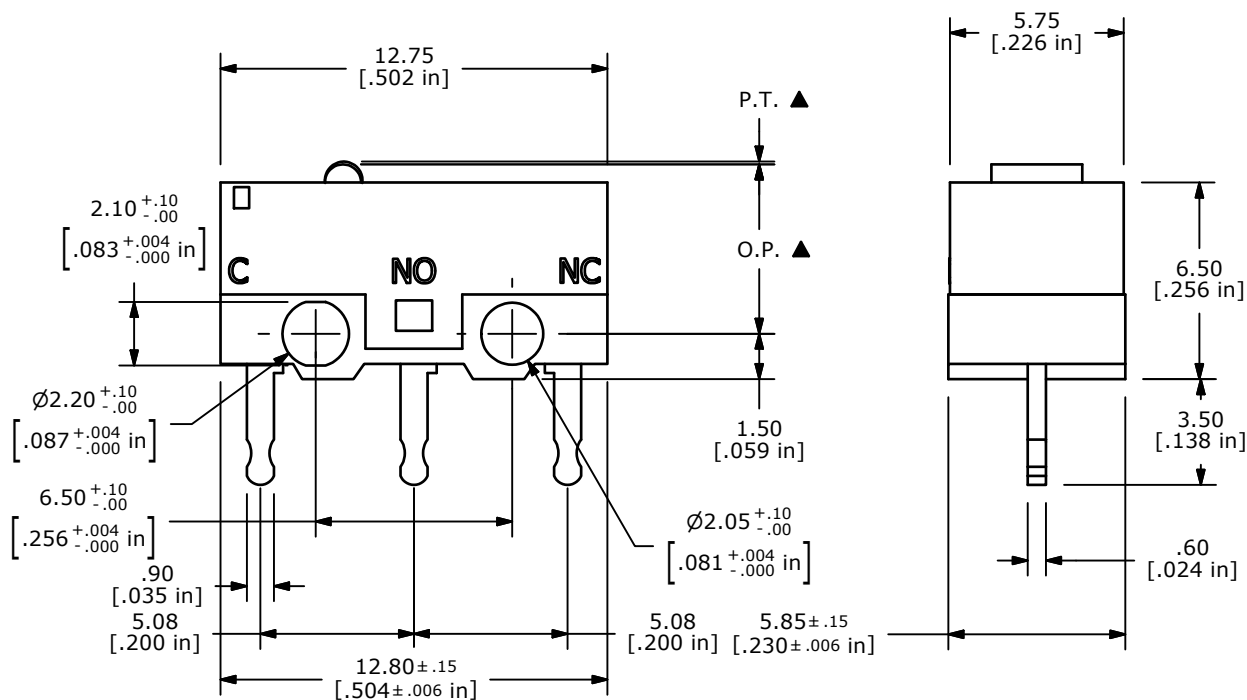
O.P. = OPERATING POINT  
P.T. = PRE-TRAVEL



CIRCUIT: SPDT

NOTES:

1. ALL DIMENSIONS IN MM [INCH]
2. GENERAL TOLERANCE: X.X=±0.4  
X.XX=±0.25
- ▲ 3. RATING: 0.1A @ 5VDC
4. OPERATING FORCE: 50± 12 GRAMS
5. OPERATING TEMP: -25°C TO 85°C
6. ELECTRICAL LIFE: 10,000 CYCLES MIN.
7. MECHANICAL LIFE: 300,000 CYCLES MIN.
8. INSULATION RESISTANCE: 100 MEGA-OHMS
9. ▲ DIELECTRIC STRENGTH: 1000VAC-MIN.
10. ▲ DENOTES CRITICAL PARAMETER.
11. 2002/95/EC (ROHS) COMPLIANT
12. CONTACT MATERIAL: SILVER



C	20204	UPDATE DRAWING	10/11/11	BMA
B	17485	REVISED AND REDRAWN	7/18/07	BF
REV	PCR NO	DESCRIPTION	DATE	BY

TITLE DM085Q100F060P1A				
SCALE	DATE	DR	DWG	REV
4:1	7/18/2007	BF	P030022	C

THE INFORMATION CONTAINED IN THIS DOCUMENT IS PROPRIETARY TO E-SWITCH AND IS NOT TO BE COPIED OR TRANSFERRED