

4

3

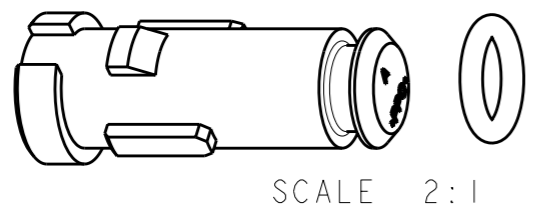
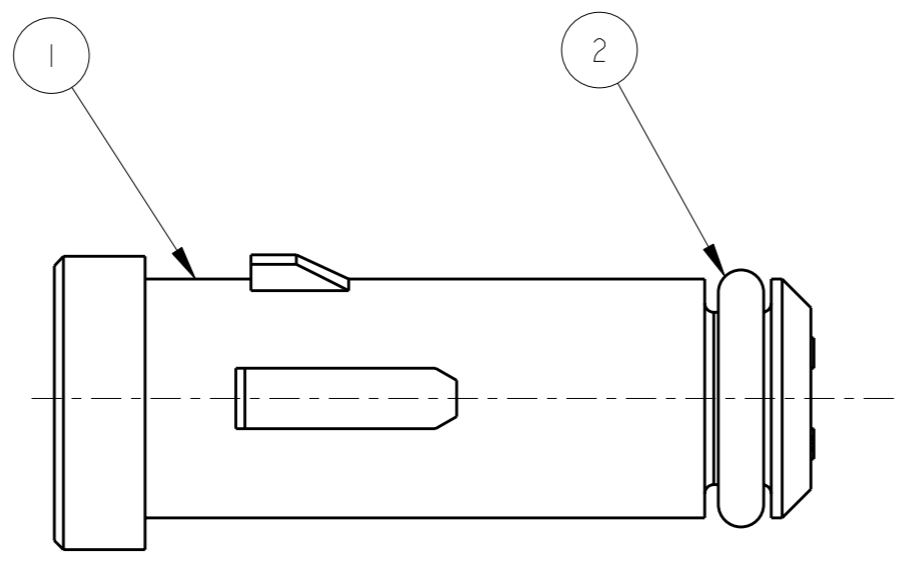
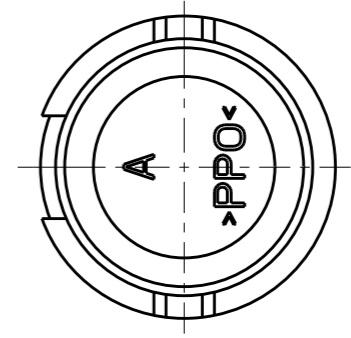
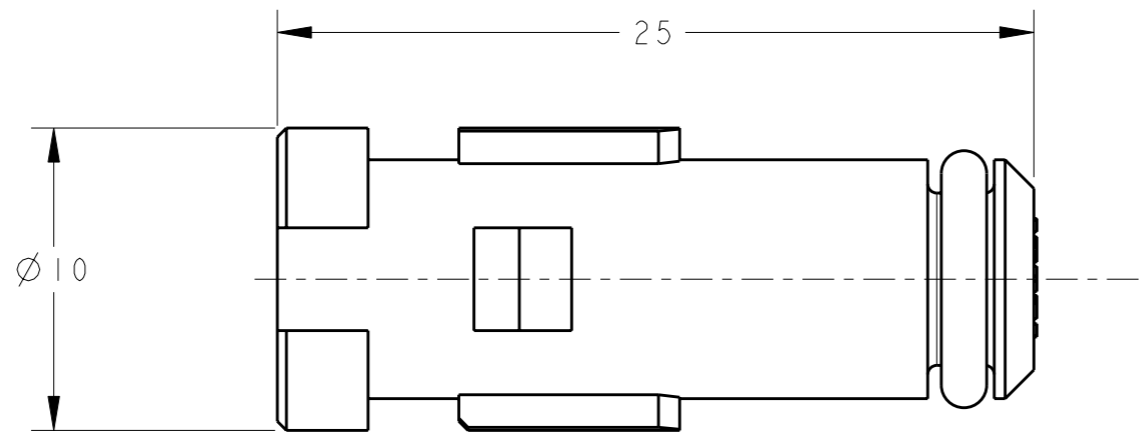
2

1

THIS DRAWING IS UNPUBLISHED. RELEASED FOR PUBLICATION 20

© COPYRIGHT 20 BY TYCO ELECTRONICS CORPORATION. ALL RIGHTS RESERVED.

LOC	DIST	REVISIONS			
P	LTR	DESCRIPTION	DATE	DWN	APVD
ES	00	A2	ECR-09-019931	05SEP2009	OW JZ



QTY	DESCRIPTION	MATERIAL	ITEM No.
1	O RING	SI RUBBER	2
1	END SOCKET	PPO	1
PART LIST			

THIS DRAWING IS A CONTROLLED DOCUMENT FOR TYCO ELECTRONICS CORPORATION. IT IS SUBJECT TO CHANGE AND THE CONTROLLING ENGINEERING ORGANIZATION SHOULD BE CONTACTED FOR THE LATEST REVISION.

DIMENSIONS:	TOLERANCES UNLESS OTHERWISE SPECIFIED:	DWN	23APR2008	Tyco Electronics Shanghai, China
mm	0 PLC ±0.2	CHK	23APR2008	
	1 PLC ±0.2	APVD	23APR2008	
	2 PLC ±0.2	JULIAN ZHOU		
MATERIAL	FINISH	PRODUCT SPEC	-	NAME
		APPLICATION SPEC	-	END SOCKET ASSY
		WEIGHT	-	SIZE
		CUSTOMER DRAWING		CAGE CODE
				DRAWING NO
				RESTRICTED TO
				SCALE
				SHEET
				OF
				REV
				A2

OBSELETE
NOT the LATEST REVISION