



### Main

Range of product	OsiSense XU
Product or component type	Backlight
Accessory / separate part category	Lighting accessory
Light source	LED red : 100 x 100 mm

### Complementary

Material	Aluminium box
Product compatibility	XUW
Product weight	0.64 lb(US) (0.29 kg)
[Us] rated supply voltage	24 V DC with reverse polarity protection
Supply voltage limits	23...25 V DC
Current consumption	<= 480 mA (no-load)
Electrical connection	1 m cable + 1 female connector M12 5 pins

### Environment

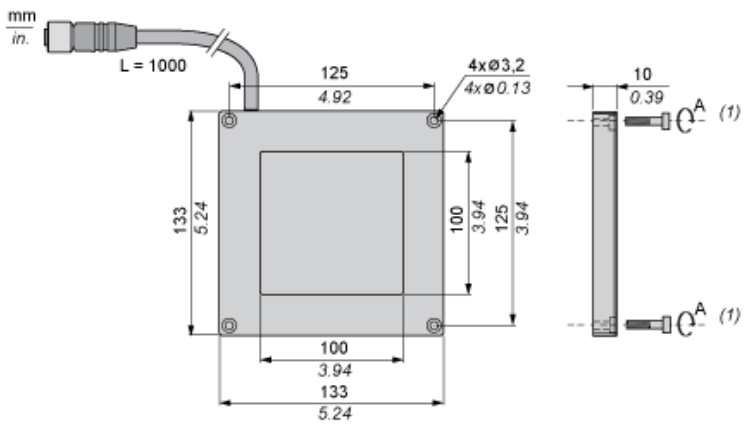
product certifications	CE
ambient air temperature for operation	32...95 °F (0...35 °C)
ambient air temperature for storage	32...95 °F (0...35 °C)
IP degree of protection	IP30 conforming to IEC 60529

### Offer Sustainability

Not Green Premium product	Not Green Premium product
WARNING: This product can expose you to chemicals including:	WARNING: This product can expose you to chemicals including:
Diisononyl phthalate (DINP), which is known to the State of California to cause cancer, and	Diisononyl phthalate (DINP), which is known to the State of California to cause cancer, and
Di-isodecyl phthalate (DIDP), which is known to the State of California to cause birth defects or other reproductive harm.	Di-isodecyl phthalate (DIDP), which is known to the State of California to cause birth defects or other reproductive harm.
For more information go to <a href="http://www.p65warnings.ca.gov">www.p65warnings.ca.gov</a>	For more information go to <a href="http://www.p65warnings.ca.gov">www.p65warnings.ca.gov</a>

### Dimensions

The information provided in this documentation contains general descriptions and/or technical characteristics of the products contained herein. This documentation is not intended as a substitute for and is not to be used for determining suitability or reliability of these products for specific user applications. It is the duty of any such user or integrator to perform the appropriate and complete risk analysis, evaluation and testing of the products with respect to the relevant specific application or use thereof. Neither Schneider Electric Industries SAS nor any of its affiliates or subsidiaries shall be responsible or liable for misuse of the information contained herein.



(1) Tightening torque: A = 1.2 N.m (10.6 lb-in).