

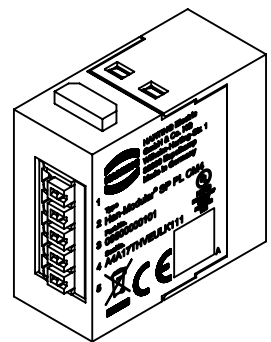
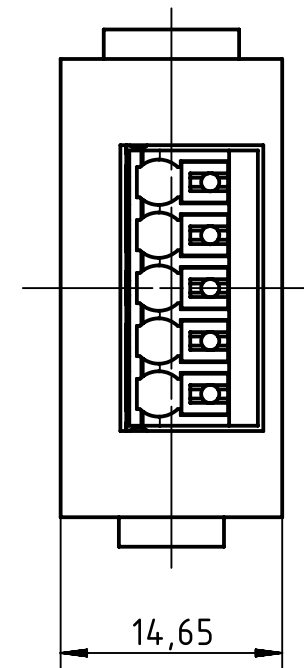
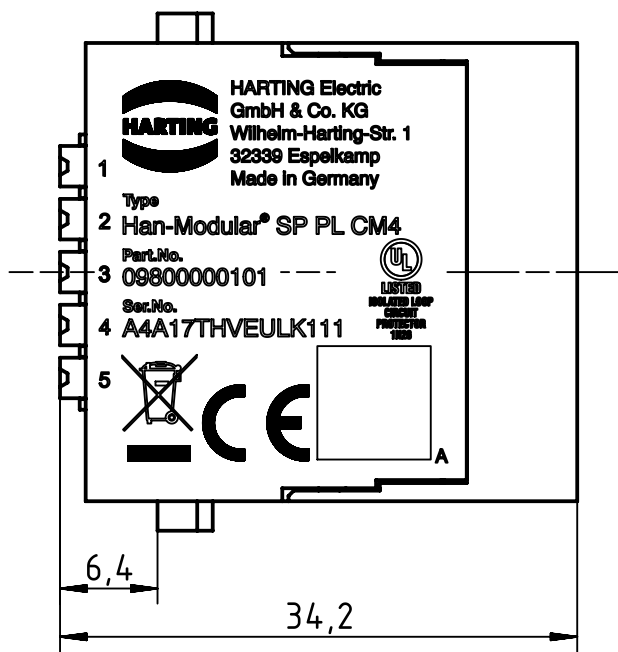
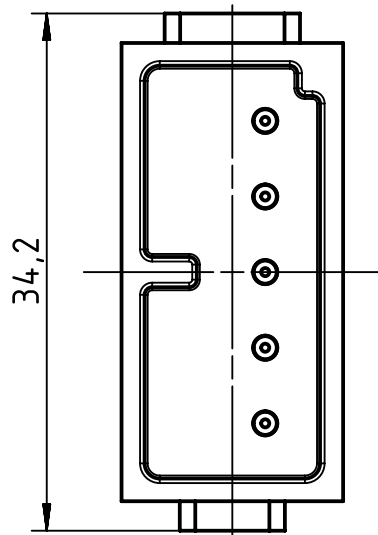
1 2 3 4 5 6

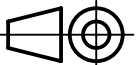

A

B

C

D



	All Dimensions in mm Original Size DIN A4		Scale 2:1	Free size tol.		Ref. Sub.		
		All rights reserved Department EL PD - DE		Created by MOELLERLI	Inspected by BEISCHER	Standardisation RUETERA	Date 2018-01-19	State Final Release
HARTING Electric GmbH & Co. KG D-32339 Espelkamp				Title Han-Modular SP PL CM4			Doc-Key / ECM-Nr. 100714777/UGD/001/E 500000130219	
				Type TB	Number 09 80 000 0101		Rev. E	Page 1/1

# Mouser Electronics

Authorized Distributor

Click to View Pricing, Inventory, Delivery & Lifecycle Information:

[HARTING:](#)

[09800000101](#)