

THIS DRAWING IS UNPUBLISHED. RELEASED FOR PUBLICATION

© COPYRIGHT BY TYCO ELECTRONICS CORPORATION. ALL RIGHTS RESERVED.

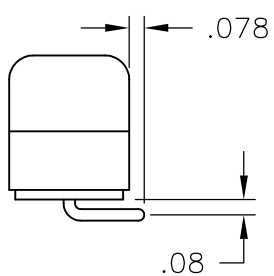
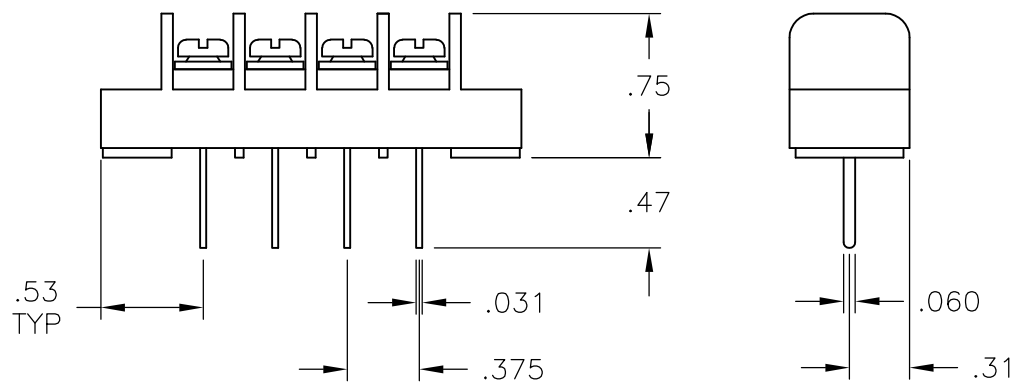
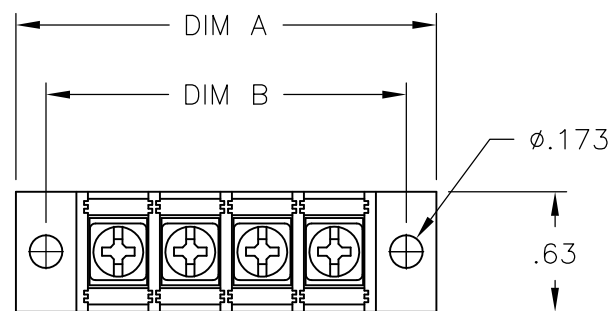
LOC	DIST	REVISIONS					
FT	0	P	LTR	DESCRIPTION	DATE	DWN	APVD
			B	REVISED PER ECO-10-013617	26JUL10	HMR	CR

MATERIAL:
 HOUSING: THERMOPLASTIC, UL94V-0, BLACK.
 TERMINALS: TIN PLATED COPPER ALLOY.
 QC TABS: TIN PLATED COPPER ALLOY.
 SCREWS: 6-32, ZINC PLATED STEEL.

ELECTRICAL:
 UL/CSA
 CLASS C: 20A, 300V.
 CLASS D: 5A, 600V.
 WIRE RANGE: 12-22 AWG

MECHANICAL:
 RECOMMENDED TORQUE: 7 IN.-LB.
 OPERATING TEMP.: 105°C MAX

- 1 SCREWS ARE NICKEL PLATED BRASS.
- 2 PRELIMINARY PART NUMBER.



2-1546723-6

9.000	9.314	23	JC6-E208-23	2-1546723-3
8.625	8.939	22	JC6-E208-22	2-1546723-2
8.250	8.564	21	JC6-E208-21	2-1546723-1
7.875	8.189	20	JC6-E208-20	2-1546723-0
7.500	7.814	19	JC6-E208-19	1-1546723-9
7.125	7.439	18	JC6-E208-18	1-1546723-8
6.750	7.064	17	JC6-E208-17	1-1546723-7
6.375	6.689	16	JC6-E208-16	1-1546723-6
6.000	6.314	15	JC6-E208-15	1-1546723-5
5.625	5.939	14	JC6-E208-14	1-1546723-4
5.250	5.564	13	JC6-E208-13	1-1546723-3
4.875	5.189	12	JC6-E208-12	1-1546723-2
4.500	4.814	11	JC6-E208-11	1-1546723-1
4.125	4.439	10	JC6-E208-10	1-1546723-0
3.750	4.064	9	JC6-E208-09	1546723-9
3.375	3.689	8	JC6-E208-08	1546723-8
3.000	3.314	7	JC6-E208-07	1546723-7
2.625	2.939	6	JC6-E206-06	2-1546723-5
2.625	2.939	6	JC6-E208-06	1546723-6
2.250	2.564	5	JC6-E208-05	1546723-5
1.875	2.189	4	JC6-E208-04	1546723-4
1.500	1.814	3	JC6-E208-03-245	2-1546723-6
1.500	1.814	3	JC6-E208-03	1546723-3
1.125	1.439	2	JC6-E206-02	2-1546723-4
1.125	1.439	2	JC6-E208-02	1546723-2
DIM. B	DIM. A	NO. OF POS.	CATALOG NUMBER	TE PART NO.

SEE FIGURE 2

THIS DRAWING IS A CONTROLLED DOCUMENT.		DWN	S SCHLEGEL	12/8/04	Tyco Electronics Corporation Harrisburg, Pa 17105-3608				
DIMENSIONS: INCHES		CHK	S. YODER	12/8/04					
TOLERANCES UNLESS OTHERWISE SPECIFIED:		APVD	S. YODER	12/8/04	NAME				
0 PLC ± - 1 PLC ± - 2 PLC ± .01 3 PLC ± .005 4 PLC ± - ANGLES ± -		PRODUCT SPEC		JC6-E208-XX ASSEMBLY					
MATERIAL		APPLICATION SPEC		SIZE			CAGE CODE	DRAWING NO	RESTRICTED TO
FINISH		WEIGHT		A3		00779	G-1546723		-
CUSTOMER DRAWING				SCALE	NTS	SHEET	1 OF 1	REV	B